

NOTES:

1. MATERIALS AND FINISHES:
  - BODY - BERYLLIUM COPPER, WHITE BRONZE PLATING OVER SILVER
  - REAR BODY - BRASS, WHITE BRONZE PLATING OVER SILVER
  - CONTACT - BERYLLIUM COPPER, GOLD PLATING OVER HIGH PHOSPHORUS ELECTROLESS NICKEL
  - INSULATORS - PTFE
  - CAP - BRASS, WHITE BRONZE PLATING OVER SILVER

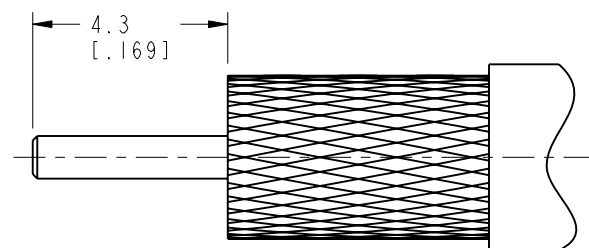
2. ELECTRICAL:
  - A. IMPEDANCE: 50 OHM
  - B. FREQUENCY RANGE: DC - 2.4 GHz
  - C. VSWR(RETURN LOSS): 1.2 MAX.
  - D. DIELECTRIC WITHSTANDING VOLTAGE: 1000 VRMS, MIN.
  - E. PIM: -155dBc MAX. @ 700 MHz - 2100MHz

3. MECHANICAL:
  - A. DURABILITY: 100 CYCLES MIN.
  - B. TEMPERATURE RANGE: -65° C TO 165° C

4. CABLE ENTRY DIMENSIONS

5. ASSEMBLY INSTRUCTIONS
  - A. STRIP CABLE TO DIMENSIONS SHOWN
  - B. FULLY INSERT CABLE INTO THE CONNECTOR.
  - C. SOLDER CABLE CENTER CONDUCTOR TO CONTACT
  - D. SOLDER CABLE TO CONNECTOR BODY
  - E. PRESS CAP INTO POSITION AND DIMPLE SLIGHTLY.

4. PACKAGING:
  - A. QUANTITY: SINGLE PACK
  - B. MARKING: BAG TO BE MARKED "AMPHENOL RF, 915-1001, AND DATE CODE"

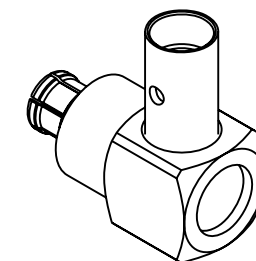
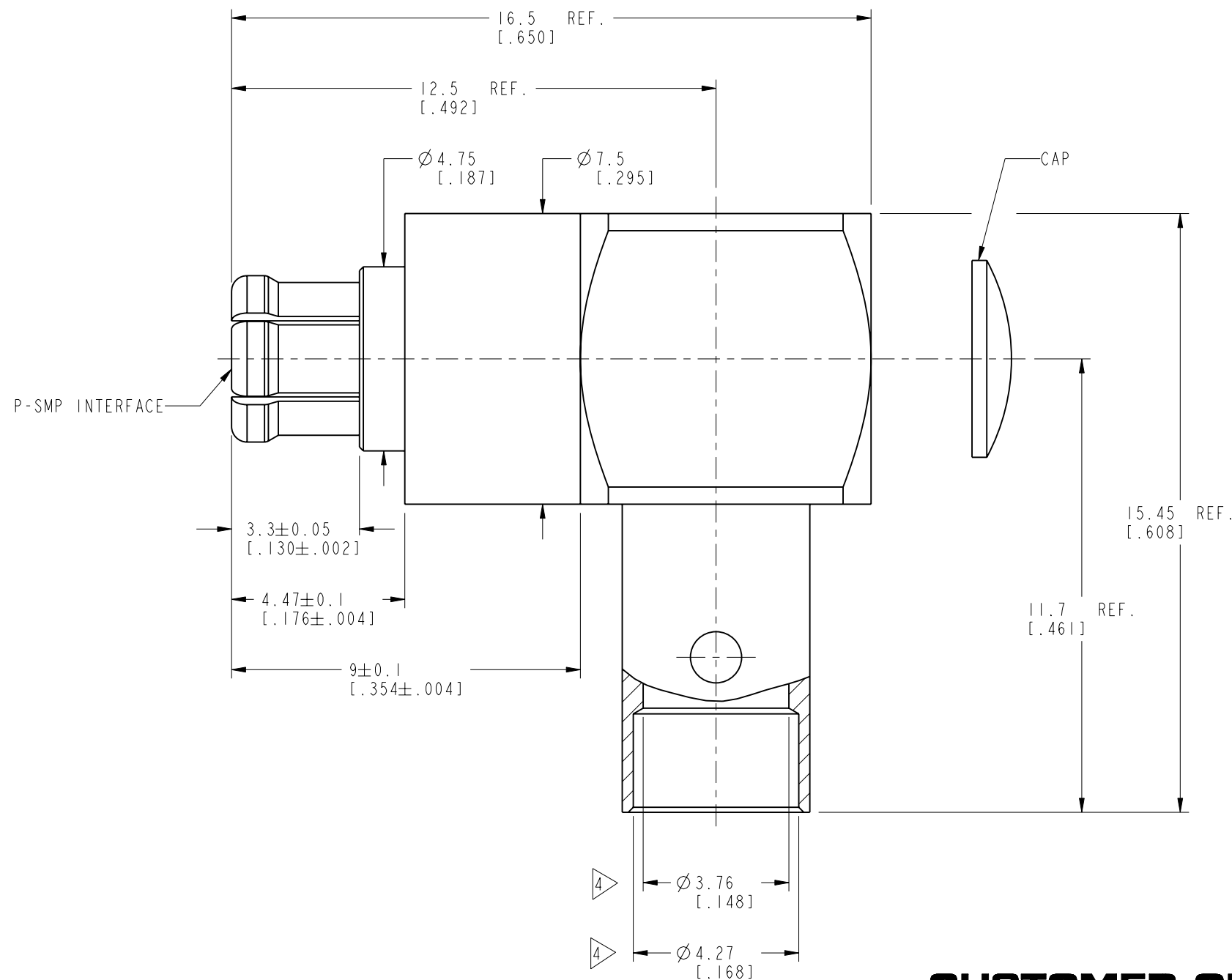


**RECOMMENDED CABLE STRIPPING DIMENSIONS**

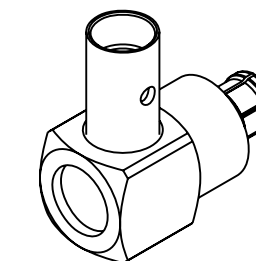
THIRD ANGLE PROJ.

REVISIONS

REV	DESCRIPTION	DATE	ECO	APPR
A	RELEASE TO MFG.	17-Jul-14	50108	JYL
B	UPDATE TITLE BLOCK\N/A	15-Jul-16	01323	SH



SCALE 2.000



SCALE 2.000

**CUSTOMER OUTLINE DRAWING**

ALL OTHER SHEETS ARE FOR INTERNAL USE ONLY

UNLESS OTHERWISE SPECIFIED, DIMENSIONS ARE IN METRIC AND TOLERANCES ARE: <0.5mm ±0.05mm    0.5 - 6mm ±0.1mm    6 - 30mm ±0.2mm    30 - 120mm ±0.3mm    ANGLES ±1°	MATERIAL	DRAWN	DATE	TITLE P-SMP RA JACK (FOR .141" CABLE)		Amphenol RF www.amphenolrf.com	
	-	M. ZHANG	15-Jul-16				
NOTICE - These drawings, specifications, or other data (1) are, and remain the property of Amphenol corp. (2) must be returned upon request; and (3) are confidential and not to be disclosed to any person other than those to whom they are given by Amphenol Corp. the furnishing of these drawings, specifications, or other data by Amphenol Corp., or to any other person to anyone for any purpose is not to be regarded by implication or otherwise in any manner licensing, granting rights to permitting such holder or any other person to manufacture, use or sell any product, process or design, patented or otherwise, that may in any way be related to or disclosed by said drawings, specifications, or other data.	REFERENCE	ENGINEER	DATE	SCALE: 10.0:1.0 SHEET 2 OF 2		DRAWING NO. 915-1001	
	EAR # 5868 AND	JIA YONG LI	11-Aug-13				
	CONFIGURATION LEVEL: In Work	APPROVED	DATE		DWG SIZE B    REV B		ITEM NO. 915-1001 PART NO. 915-1001
FINISH	S. HSIEH	15-Jul-16	CAD FILE				

## X-ON Electronics

Largest Supplier of Electrical and Electronic Components

*Click to view similar products for [RF Connectors / Coaxial Connectors](#) category:*

*Click to view products by [Amphenol](#) manufacturer:*

Other Similar products are found below :

[8915-1511-000](#) [89674-0827](#) [6001-7071-019](#) [6002-7051-003](#) [6002-7551-202](#) [6059674-1](#) [619550-1](#) [630059-000](#) [M39030/3-01N](#) [M3933/25-36N](#) [6500-7071-046](#) [6769](#) [CX050L2AQ](#) [7002-1542-011](#) [7004-1512-000](#) [7009-1511-004](#) [7010-1511-000](#) [7029-1511-060](#) [7101-1541-010](#) [7101-1571-002](#) [7105-1521-002](#) [7145-1521-002](#) [7203-1571-003](#) [7209-1511-011](#) [7210-1511-015](#) [7210-1511-019](#) [73137-5015](#) [73216-2241](#) [7325-1512-000](#) [73404-2300](#) [7405-1521-005](#) [7405-1521-802](#) [7406-1521-005](#) [8527](#) [8547](#) [FS11V](#) [8808-1511-001](#) [9049-9513-000](#) [9074-9513-000](#) [9101-9573-002](#) [910A205F](#) [9130-9573-002](#) [PL11SC-026](#) [PL375-33](#) [PL40-5](#) [PL71-9](#) [PL74C-221](#) [PL75MC-217](#) [PL803-7](#) [980-8666-005](#)