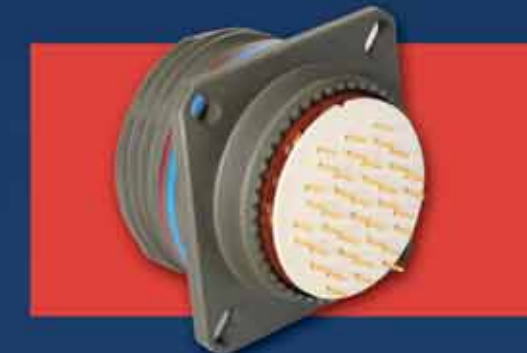


Amphenol® Cylindrical Connectors for Printed Circuit Board Applications

12-170-2



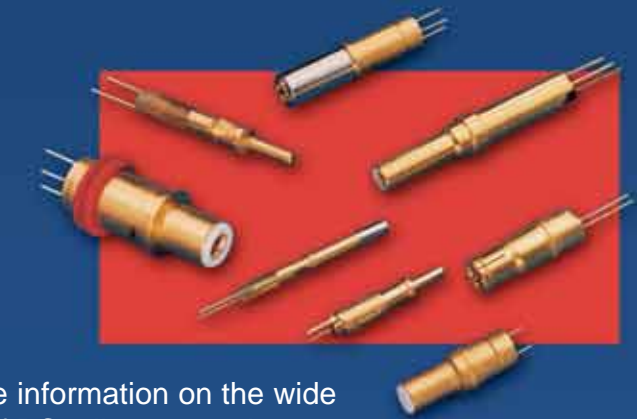
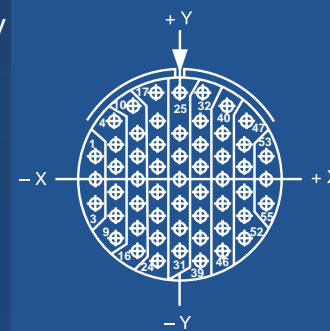
This catalog has been specifically designed to assist in the critical process of selecting the right cylindrical connector for a printed circuit board application.



Proven & reliable cylindrical connector solutions for PC board attachment: MIL-DTL-38999, MIL-C-26482 and MIL-5015, with a wide range of contact arrangements and options



Contact arrangements have been carefully selected to guide designers to the most commonly available and widely used insert patterns. Pin-out location illustrations of these contact insert patterns are shown first, followed by connector shell drawings in three series: MIL-DTL-38999, MIL-C-26482, MIL-5015.



For more information on the wide variety of PC tail contacts that are offered by Amphenol, see catalog 12-130, High Frequency Contacts, which also includes coax, twinax, triax and quadax shielded contacts.

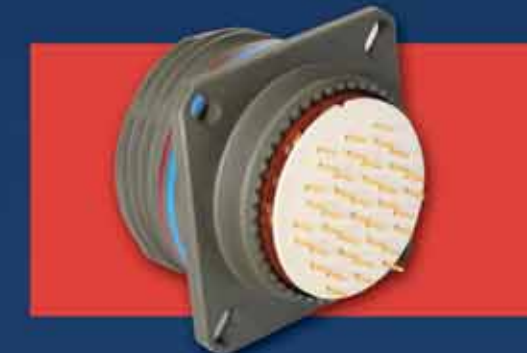
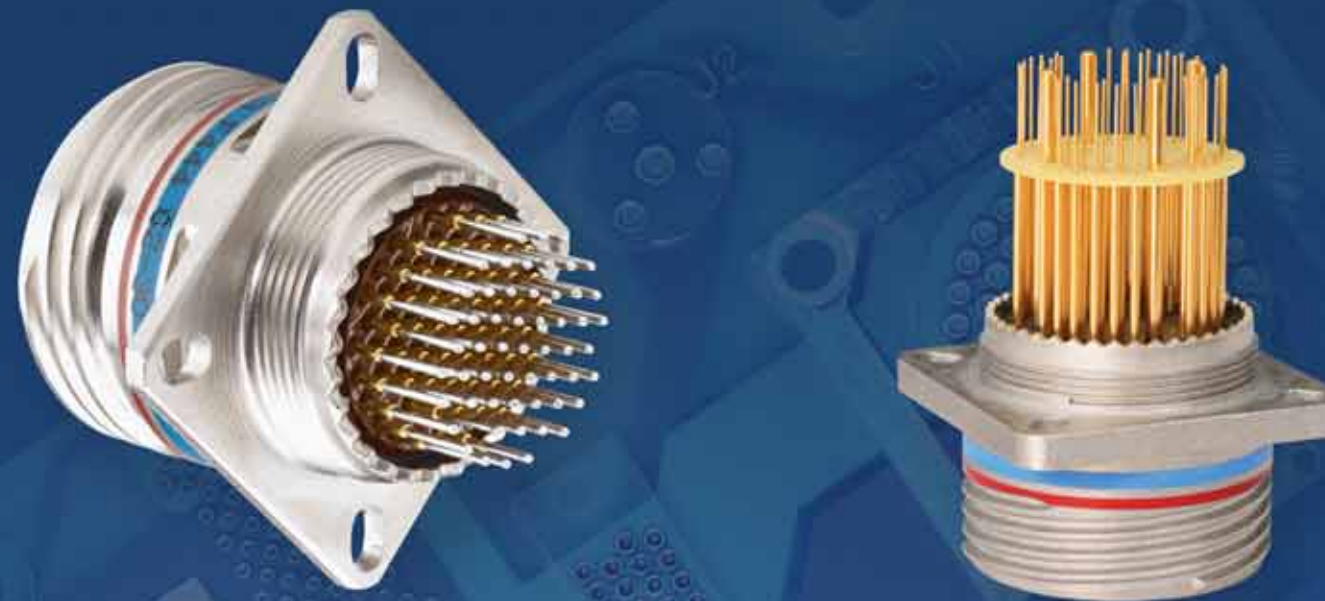
Amphenol Corporation

Amphenol Aerospace
40-60 Delaware Avenue, Sidney, New York 13838-1395
Phone: 800-678-0141 or 607-563-5011 Fax: 607-563-5157
www.amphenol-aerospace.com

Amphenol

Amphenol® Cylindrical Connectors for Printed Circuit Board Applications

12-170-2



This catalog has been specifically designed to assist in the critical process of selecting the right cylindrical connector for a printed circuit board application.



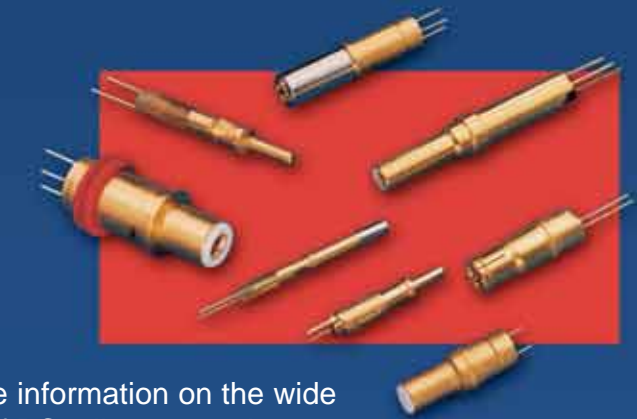
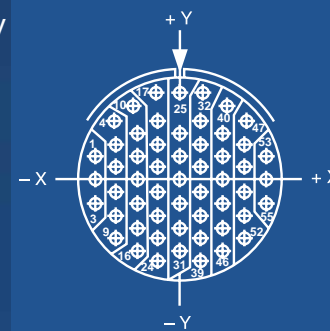
Proven & reliable cylindrical connector solutions for PC board attachment: MIL-DTL-38999, MIL-C-26482 and MIL-5015, with a wide range of contact arrangements and options



Contact arrangements have been carefully selected to guide designers to the most commonly available and widely used insert patterns.

Pin-out location illustrations of these contact insert patterns are shown first, followed by connector shell drawings in three series:

MIL-DTL-38999, MIL-C-26482, MIL-5015.




For more information on the wide variety of PC tail contacts that are offered by Amphenol, see catalog 12-130, High Frequency Contacts, which also includes coax, twinax, triax and quadax shielded contacts.

Amphenol Corporation

Amphenol Aerospace
40-60 Delaware Avenue, Sidney, New York 13838-1395
Phone: 800-678-0141 or 607-563-5011 Fax: 607-563-5157
www.amphenol-aerospace.com

Amphenol



Amphenol has earned the reputation as the leader in the military electrical connection arena. Amphenol's interconnects meet almost any aerospace and ground vehicle design need as well as many industrial needs.

Table of Contents


Amphenol® Cylindrical Connectors for Printed Circuit Board Applications	Page
Introduction	1
Guide to Selecting a PCB Cylindrical Connector	2, 3
Insert Availability	4
Insert Arrangement Drawings	5-24
Alternate Positioning	25-26
MIL-DTL-38999, Series I (LJT) Shell Styles	27-31
MIL-DTL-38999, Series II (JT) Shell Styles	32-34
MIL-DTL-38999, Series III (Tri-Start) Shell Styles	35-39
Stand-off Adapter for use with MIL-DTL-38999 PCB Connectors	40
MIL-C-26482, Series 1 (PT) Shell Styles	41, 42
MIL-5015 (MS3102) Shell Style	43
Universal Header Assemblies for use with Flex print or PCB Connectors	44, 45
Additional Products – Rectangular, for PCB Application ...	46-48
Amphenol Sales Office and Distributor Listing	

If more information is needed concerning the products in this publication, or if you have any special application needs, please contact your nearest Amphenol sales office or Amphenol Corporation at the following address:

Amphenol Corporation
Amphenol Aerospace
40-60 Delaware Ave., Sidney, NY 13838-1395
Phone: 800-678-0141 or 607-563-5011
Fax: 607-563-5157

See this catalog and the majority of catalogs of Amphenol Aerospace and Amphenol Industrial Interconnection Products at:
www.amphenol-aerospace.com

Amphenol operates quality systems that are certified to ISO9001:2000 by third party registrars.



Amphenol has earned the reputation as the leader in the military electrical connection arena. Amphenol's interconnects meet almost any aerospace and ground vehicle design need as well as many industrial needs.

Table of Contents

Amphenol® Cylindrical Connectors for Printed Circuit Board Applications	Page
Introduction	1
Guide to Selecting a PCB Cylindrical Connector	2, 3
Insert Availability	4
Insert Arrangement Drawings	5-24
Alternate Positioning	25-26
MIL-DTL-38999, Series I (LJT) Shell Styles	27-31
MIL-DTL-38999, Series II (JT) Shell Styles	32-34
MIL-DTL-38999, Series III (Tri-Start) Shell Styles	35-39
Stand-off Adapter for use with MIL-DTL-38999 PCB Connectors	40
MIL-C-26482, Series 1 (PT) Shell Styles	41, 42
MIL-5015 (MS3102) Shell Style	43
Universal Header Assemblies for use with Flex print or PCB Connectors	44, 45
Additional Products – Rectangular, for PCB Application ...	46-48
Amphenol Sales Office and Distributor Listing	

If more information is needed concerning the products in this publication, or if you have any special application needs, please contact your nearest Amphenol sales office or Amphenol Corporation at the following address:

Amphenol Corporation
Amphenol Aerospace
40-60 Delaware Ave., Sidney, NY 13838-1395
Phone: 800-678-0141 or 607-563-5011
Fax: 607-563-5157

See this catalog and the majority of catalogs of Amphenol Aerospace and Amphenol Industrial Interconnection Products at:
www.amphenol-aerospace.com

Amphenol operates quality systems that are certified to ISO9001:2000 by third party registrars.

Amphenol® Cylindrical Connectors for Printed Circuit Board Applications

Amphenol provides three popular connector series with PC tail contacts. The following key points give a quick overview of these series. For more detail, there are series catalogs available as listed below*. Go to www.amphenol-aerospace.com to view and download these catalogs. There is a guide to selecting a cylindrical connector with printed circuit board contacts on the following page to assist you further.

MIL-DTL-38999 CONNECTORS, METAL & COMPOSITE

- Lightweight, compact, high density and high reliability cylindrical
- Operating voltage to 900 VAC (RMS) at sea level
- Environmentally resistant
- Solder or crimp rear release contacts in mating plug
- Series I (LJT) - Bayonet coupling
 - Scoop-proof (recessed pins) offers maximum contact protection
- Series II (JT) - Bayonet coupling
 - For applications requiring maximum weight/space savings and reliability
- Series III (Tri-Start) - Threaded, quick coupling in one complete turn
 - Designed for general duty as well as severe environmental applications
 - Superior EMI shielding with grounding fingers and metal-to-metal mating
 - Filter/Transient protection versions available
 - Scoop-proof contact protection
 - Stainless steel firewall versions, and composite versions

MIL-C-26482 CONNECTORS

- Medium size, widely used cylindrical
 - Operating voltage to 1,000 VAC (RMS) at sea level
 - Series 1 (PT) - Bayonet coupling - most commonly used in PCB applications
 - Environmentally resistant
 - Solder or crimp front and rear release contacts in mating plug
- Black/green zinc alloy plating (cadmium-free) available

MIL-5015 CONNECTORS

- Medium-heavy weight, time-tested cylindrical
- Operating voltage to 1,500 VAC (RMS) at sea level
- Environmentally resistant or general duty
- Threaded coupling
- Solder or crimp rear insertion contacts in mating plug
- Black/green zinc alloy plating (cadmium-free) available

Also provided in this catalog are several additional product options for the designer of PCB board applications. For example: Amphenol's flex assemblies provide solutions for attachment to PCB boards where a self-locking terminal pad is needed or in tight-fitting space requirements. Connectors with compliant pin contacts are available, and pc tails within shielded coax, twinax and triax contacts are available. At the end of the catalog, see a brief description of Amphenol PCB rectangular connectors, backplane assemblies, terminal blocks and wiring interface modules.

Go to www.amphenol-aerospace.com for catalogs online.



38999 Series III Box Mount Connector with PC Tails



Special 38999 Connector with Stand-off Shell and PC Tails



38999 Series III Connector with a Special Configuration Composite Shell and PC Tails



26482 Series 1 Jam Nut Connector with PC Tails



5015 Box Mount Connector with PC Tails



Flex Termination with MIL-C-26482 Special Connector

* Request Catalog 12-090 for MIL-DTL-38999 Series I, II
Request Catalog 12-092 for MIL-DTL-38999 Series III
Request Catalog 12-070 for MIL-C-26482, Series 1, 2
Request Catalog 12-071 for Matrix MIL-C-26482 Series 2
Request Catalog 12-020 for MIL-5015

Note: MIL-DTL-38999 supersedes MIL-C-38999.

Guide to Selecting a PCB Cylindrical Connector

The connector selection process is one of the most important engineering decisions to be made in any electronic application. Amphenol has created this catalog specifically to provide the necessary information to select, layout and design both the appropriate Amphenol® cylindrical connector with PCB contacts and the connector footprint (contact locations) on the printed circuit board. The guide that follows is for application of cylindrical connectors on rigid printed circuit boards and also applies if a flex print assembly or other optional is being used.

Engineers working on those PCB or flex print applications requiring rectangular connectors are encouraged to refer to page 46-48 and ask for Amphenol Rectangular Product catalogs.

How To Select a Cylindrical Connector for a PCB Application

The data provided in this catalog is based on three cylindrical connector series: MIL-DTL-38999 Series I, II and III, MIL-C-26482 Series 1, and MIL-C-5015. See page 1 for electrical and environmental features and differences of these three series. The “hot” side of the application determines the choice of pin or socket genders of the contacts.

How to Measure the PCB Tail Length

The tail length of the PCB is the portion of the contact that extends beyond the rear of the shell. This length will vary in relationship to the mounting flange, depending on the series of connector selected. Standard lengths are shown on the connector shell style drawings in this catalog. These shell style drawing pages also provide how to order part numbering for standard PCB cylindrical connectors.

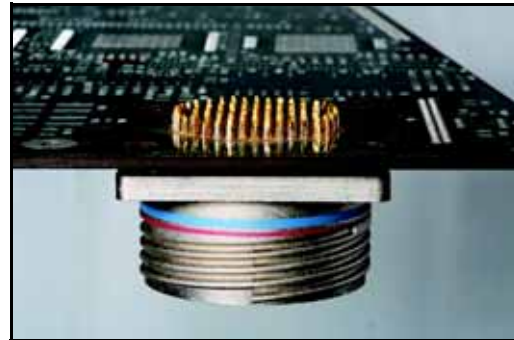
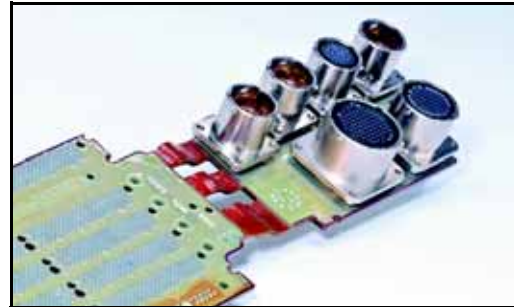
When computing the desired tail length, it is important to take into consideration the following factors:

- The connector series and shell style.
- The mounting style of the receptacle; jam nut (D hole) or panel mount (four holes). This can affect the overall length of the tail.
- The extension of the tail beyond the opposite side of the board or the flex.
- The space required to adequately clean flux from between the board or flex and the rear of the connector shell. Connectors that are mounted flush against the board may trap soldering flux which could lead to corrosion of the solder joints.

Would Alignment Discs, Headers or Special Stand-off Shells be Beneficial?

Any mechanical methods needed to stabilize the board or flex to the connector and/or the panel. The PCB tails shown in this catalog are of one diameter. Stepped tails or PCB tails with an increased diameter on a designated portion may be required for certain applications.

Alignment discs are available which provide ease of alignment of pins to boards, protection during shipment and optimized electrical circuit separation. Header assemblies (see pages 44 & 45) are available which provide time and cost saving potentials. Standoffs may be required for certain applications. Amphenol has developed a new stand-off adapter (see page 40) which may eliminate the need for special stand-off shell designs. Connectors with clinch nuts can be provided. Please call Amphenol to discuss any optional designs or any special requirements.



Stand-off Adapter on a Jam Nut Receptacle.



Special Design with Longer PC Tails in a 38999 Composite Shell Connector. Also shows an Alignment Disc.



Universal Header Assemblies are available for Flex Print/PC Board Mounting. Beneficial especially when electrical testing of the connector requires it to be removed and reattached.

Guide to Selecting a PCB Cylindrical Connector, cont.

What Determines the Diameter of the PCB Tail?

The outside diameter of the PCB tail is determined by the inside diameter of the plated through-hole on the board or flex print. The standard or most popular diameters are shown in the chart on the next page and are called out in the connector illustrations in this catalog (Pgs. 26-37).

Standard diameters of PCB tails

Connector Series	Size 16 Contact	Size 20 Contact	Size 22D Contact
MIL-DTL-38999	.062 ±.001	.019 ±.001	.019 ±.001
MIL-C-26482	.030 ±.001	.030 ±.001	Not available
MIL-5015	.030 ±.001	Not available	Not available

For availability of other contact diameters, consult Amphenol, Sidney NY.

Should PCB Tails be Gold Plated or Pre-tinned?

The standard PCB tails for MIL-DTL-38999 and MIL-C-26482 receptacles have gold plating, .00050 inches over nickel. PCB tails for MIL-C-5015 receptacles are plated with silver, .00010 inches over copper. Amphenol can substitute a pre-tinned version of these tails to facilitate the termination process. This pre-tinning is a 60/40 lead-tin alloy. Call Amphenol for further information on pre-tinning and any other plating of contacts not covered in this catalog.



Flex Termination for Attachment to PC Boards

Would Flex Assemblies be Necessary or Beneficial for the Application?

Flex print can radically simplify the assembly of a connector to a system, as well as eliminate wiring errors. Amphenol offers connector flex assemblies through ACT, Advanced Circuit Technologies division. Features and benefits of using flex technology include:

- Available for MIL-DTL-38999 (including filter EMI/EMP types), MIL-5015 and MIL-C-26482 cylindrical connectors
- Sculptures® Flexible Circuits with built-in terminations
- Eliminates failures associated with crimped or solder-on contacts
- Geometrically fit tight space requirements and create a self-locking terminal pad



Compliant Pin Contacts in a Bayonet 38999 Catalog

Should Other PC Tail Contact Types be Considered?

Press-Fit Connectors with compliant pins are available which engage the plated through-holes in the board without the need for soldering. This optional contact style offers the following benefits

- Easy board repairability
- Improved board processing time
- Excellent temperature performance
- Ideal for low-lead applications

For more information on Press-Fit connectors with compliant pins refer to Amphenol data sheet #188.



Quadrax PC Tail Contacts Combined with Standard PC Tail Contacts



Quadrax Contacts with PC Tails in a 38999 Connector with Special Stand-off Shell

Special Quadrax contacts have been designed with PC tails. Coax, twinax and triax contacts can also have PC tails. Refer to Amphenol catalog 12-130. Go online at www.amphenol-aerospace.com or consult Amphenol Aerospace for further information.

Cylindrical Connectors with PCB contacts insert availability

The following table lists the most commonly used insert arrangements for printed circuit board application of MIL-DTL-38999, MIL-C-26482 and MIL-C-5015 cylindrical connectors. This represents the most readily available patterns within these series. See illustrations of these selected patterns on the following pages. If you require other arrangements than what are shown here, consult Amphenol for further availability.

MIL-DTL-38999			MIL-C-26482	MIL-5015	Service Rating	Total Contacts	Contact Size*		
JT Series II	LJT Series I	Tri-Start Series III					22D	20	16
8-3	9-3		8-3		M/I	3		3	
8-35	9-35	9-35			M	6	6		
8-98	9-98	9-98	8-98		I	3		3	
				10SL-3	A	3			3
10-5	11-5	11-5	10-5		I	5		5	
	11-6		10-6		I	6		6	
10-35	11-35	11-35			M	13	13		
12-3	13-3		12-3		II	3			3
			12-10		I	10		10	
12-35	13-35	13-35			M	22	22		
				14S-6	Inst.	6			6
14-18	15-18	15-18	14-18		I	18		18	
14-19	15-19	15-19	14-19		I	19		19	
14-35	15-35	15-35			M	37	37		
				16S-1	A	7			7
16-26	17-26	17-26	16-26		I	26		26	
16-35	17-35	17-35			M	55	55		
				18-1	A/Inst.	10			10
18-11	19-11	19-11	18-11		II	11			11
18-32	19-32	19-32	18-32		I	32		32	
18-35	19-35	19-35			M	66	66		
				20-11	Inst.	13			13
20-27	21-27		20-27		I	27		27	
20-35	21-35	21-35			M	79	79		
20-41	21-41	21-41	20-41		I	41		41	
				22-14	A	19			19
22-35	23-35	23-35			M	100	100		
22-55	23-55	23-55	22-55		I	55		55	
				24-5	A	16			16
				24-28	Inst.	24			24
24-31			24-31		I	31			31
24-35	25-35	25-35			M	128	128		
24-61	25-61	25-61	24-61		I	61		61	
				28-15	A	35			35

* For information on size 12 PC tail contacts consult Amphenol Aerospace.

Cylindrical Connectors with PCB contacts insert arrangements, cont.

Insert Arrangement #8-3 / 9-3

Connector Type:	JT MIL-DTL-38999 Series II	LJT MIL-DTL-38999 Series I	Tri-Start MIL-DTL-38999 Series III	MIL-C-26482 Series 1 & 2	MIL-5015
Insert Designation:	8-3	9-3	NA	8-3	NA

Contact Locations Front face of pin insert shown	Number of Contacts	Contact Size	Service Rating*
	3	20	M/I

*Service Rating: M for MIL-DTL-38999
I for MIL-C-26482

Insert Arrangement #8-35 / 9-35

Connector Type:	JT MIL-DTL-38999 Series II	LJT MIL-DTL-38999 Series I	Tri-Start MIL-DTL-38999 Series III	MIL-C-26482 Series 1 & 2	MIL-5015
Insert Designation:	8-35	9-35	9-35	NA	NA

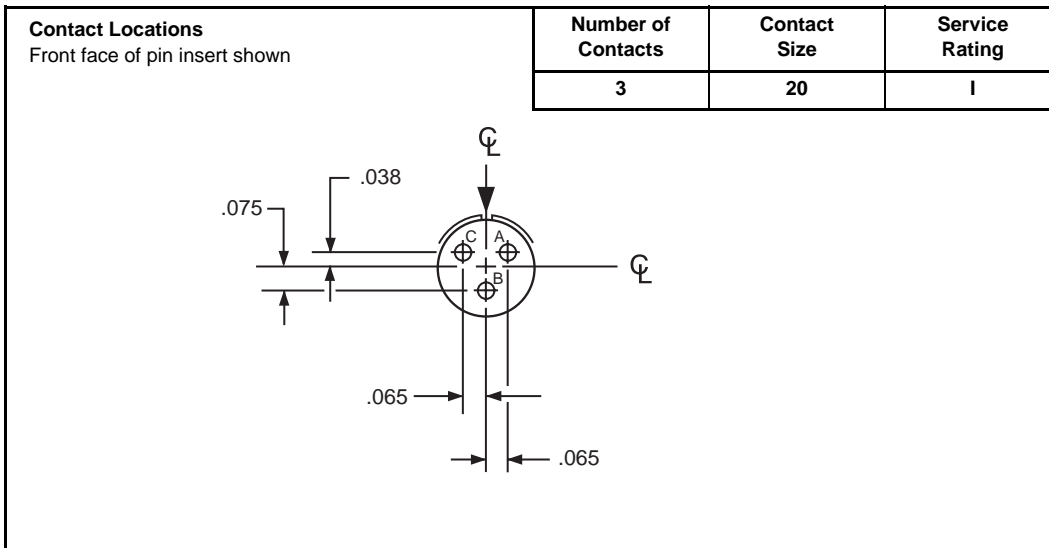
Contact Locations Front face of pin insert shown	Number of Contacts	Contact Size	Service Rating
	6	22D	M

All dimensions for reference only. For alternate rotations see pages 25 & 26.
 Note: Shown in this catalog are the most common insert patterns for PCB applications.
 For availability of other arrangements, consult Amphenol Corp., Sidney, NY.

Cylindrical Connectors with PCB contacts insert arrangements, cont.

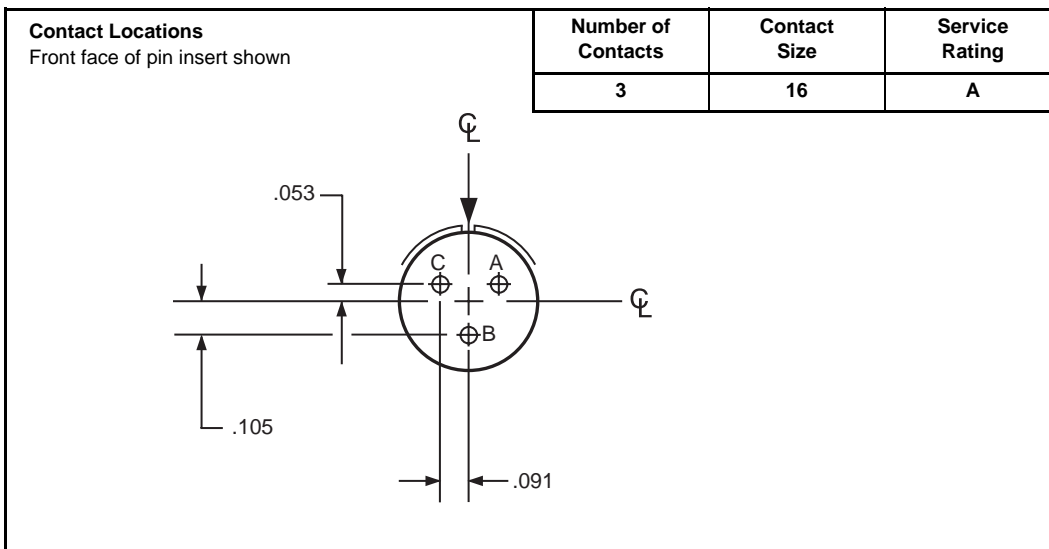
Insert Arrangement #8-98 / 9-98

Connector Type:	JT MIL-DTL-38999 Series II	LJT MIL-DTL-38999 Series I	Tri-Start MIL-DTL-38999 Series III	MIL-C-26482 Series 1 & 2	MIL-5015
Insert Designation:	8-98	9-98	9-98	8-98	NA



Insert Arrangement #10SL-3

Connector Type:	JT MIL-DTL-38999 Series II	LJT MIL-DTL-38999 Series I	Tri-Start MIL-DTL-38999 Series III	MIL-C-26482 Series 1 & 2	MIL-5015
Insert Designation:	NA	NA	NA	NA	10SL-3



All dimensions for reference only. For alternate rotations see pages 25 & 26.
Note: Shown in this catalog are the most common insert patterns for PCB applications.
For availability of other arrangements, consult Amphenol Corp., Sidney, NY.

Cylindrical Connectors with PCB contacts insert arrangements, cont.

Insert Arrangement #10-5 / 11-5

Connector Type:	JT MIL-DTL-38999 Series II	LJT MIL-DTL-38999 Series I	Tri-Start MIL-DTL-38999 Series III	MIL-C-26482 Series 1 & 2	MIL-5015
Insert Designation:	10-5	11-5	11-5	10-5	NA

Contact Locations Front face of pin insert shown	Number of Contacts	Contact Size	Service Rating
	5	20	I

Insert Arrangement #10-6 / 11-6

Connector Type:	JT MIL-DTL-38999 Series II	LJT MIL-DTL-38999 Series I	Tri-Start MIL-DTL-38999 Series III	MIL-C-26482 Series 1 & 2	MIL-5015
Insert Designation:	NA	11-6	NA	10-6	NA

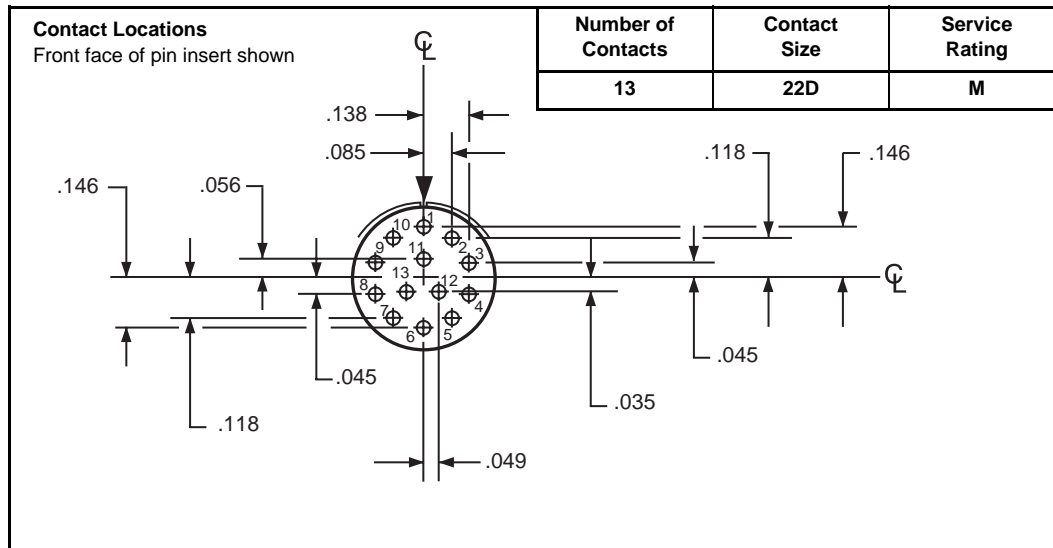
Contact Locations Front face of pin insert shown	Number of Contacts	Contact Size	Service Rating
	6	20	I

All dimensions for reference only. For alternate rotations see pages 25 & 26.
 Note: Shown in this catalog are the most common insert patterns for PCB applications.
 For availability of other arrangements, consult Amphenol Corp., Sidney, NY.

Cylindrical Connectors with PCB contacts insert arrangements, cont.

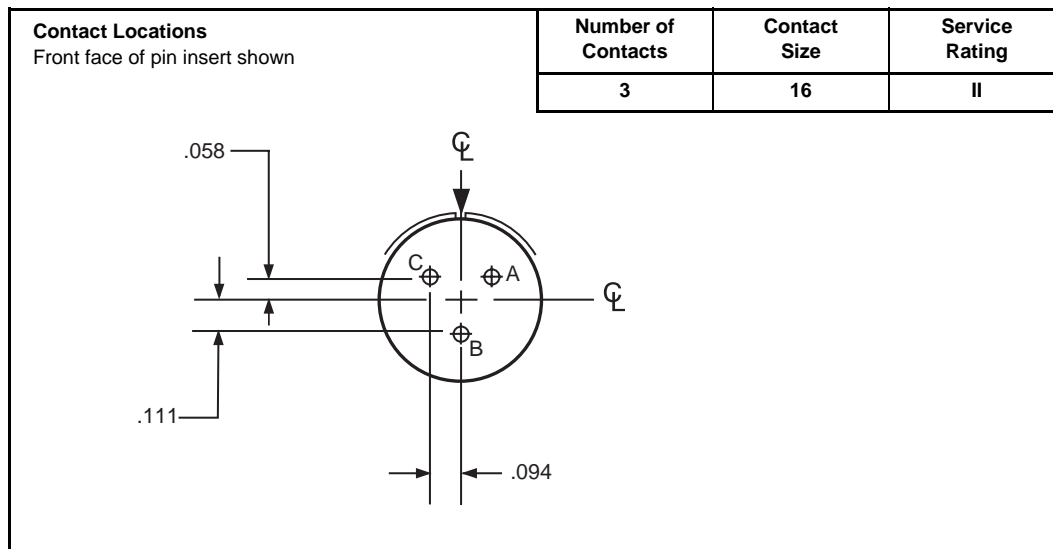
Insert Arrangement #10-35 / 11-35

Connector Type:	JT MIL-DTL-38999 Series II	LJT MIL-DTL-38999 Series I	Tri-Start MIL-DTL-38999 Series III	MIL-C-26482 Series 1 & 2	MIL-5015
Insert Designation:	10-35	11-35	11-35	NA	NA



Insert Arrangement #12-3 / 13-3

Connector Type:	JT MIL-DTL-38999 Series II	LJT MIL-DTL-38999 Series I	Tri-Start MIL-DTL-38999 Series III	MIL-C-26482 Series 1 & 2	MIL-5015
Insert Designation:	12-3	13-3	NA	12-3	NA

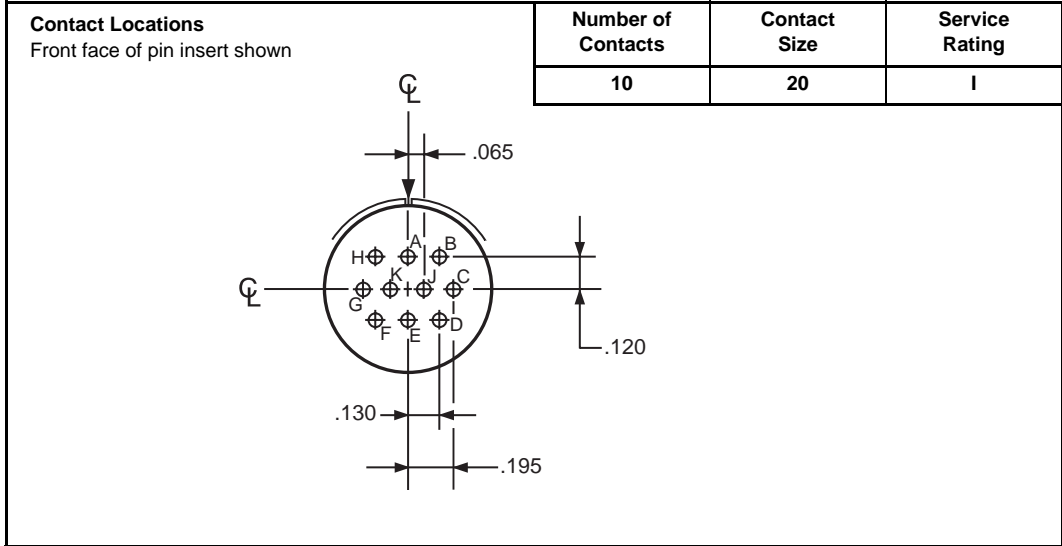


All dimensions for reference only. For alternate rotations see pages 25 & 26.
 Note: Shown in this catalog are the most common insert patterns for PCB applications.
 For availability of other arrangements, consult Amphenol Corp., Sidney, NY.

Cylindrical Connectors with PCB contacts insert arrangements, cont.

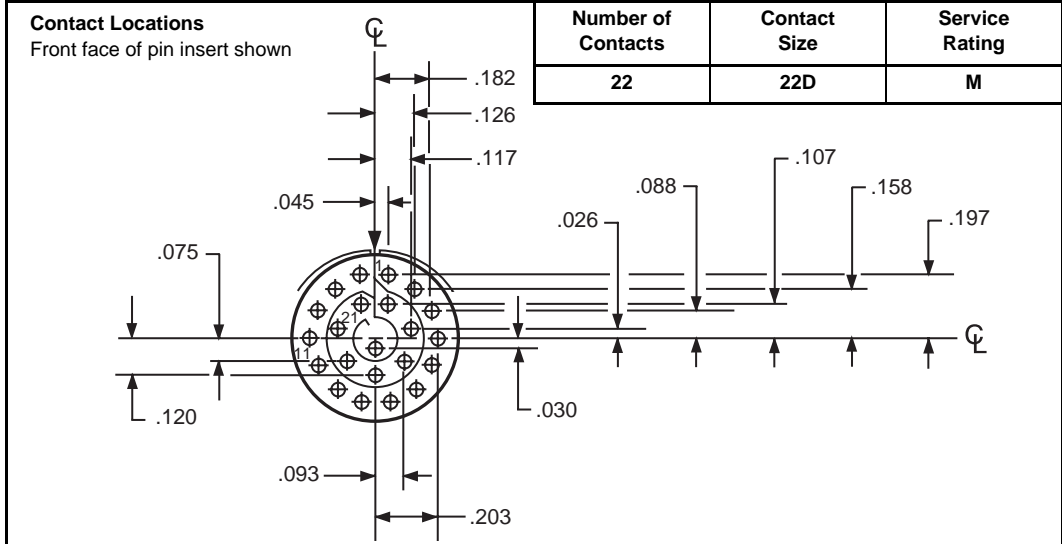
Insert Arrangement #12-10

Connector Type:	JT MIL-DTL-38999 Series II	LJT MIL-DTL-38999 Series I	Tri-Start MIL-DTL-38999 Series III	MIL-C-26482 Series 1 & 2	MIL-5015
Insert Designation:	NA	NA	NA	12-10	NA



Insert Arrangement #12-35 / 13-35

Connector Type:	JT MIL-DTL-38999 Series II	LJT MIL-DTL-38999 Series I	Tri-Start MIL-DTL-38999 Series III	MIL-C-26482 Series 1 & 2	MIL-5015
Insert Designation:	12-35	13-35	13-35	NA	NA

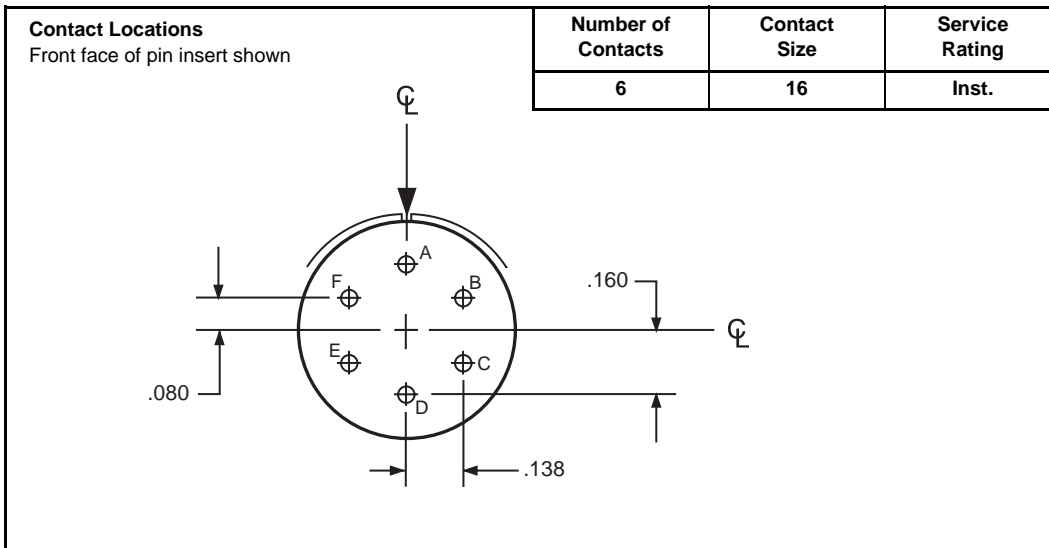


All dimensions for reference only. For alternate rotations see pages 25 & 26.
 Note: Shown in this catalog are the most common insert patterns for PCB applications.
 For availability of other arrangements, consult Amphenol Corp., Sidney, NY.

Cylindrical Connectors with PCB contacts insert arrangements, cont.

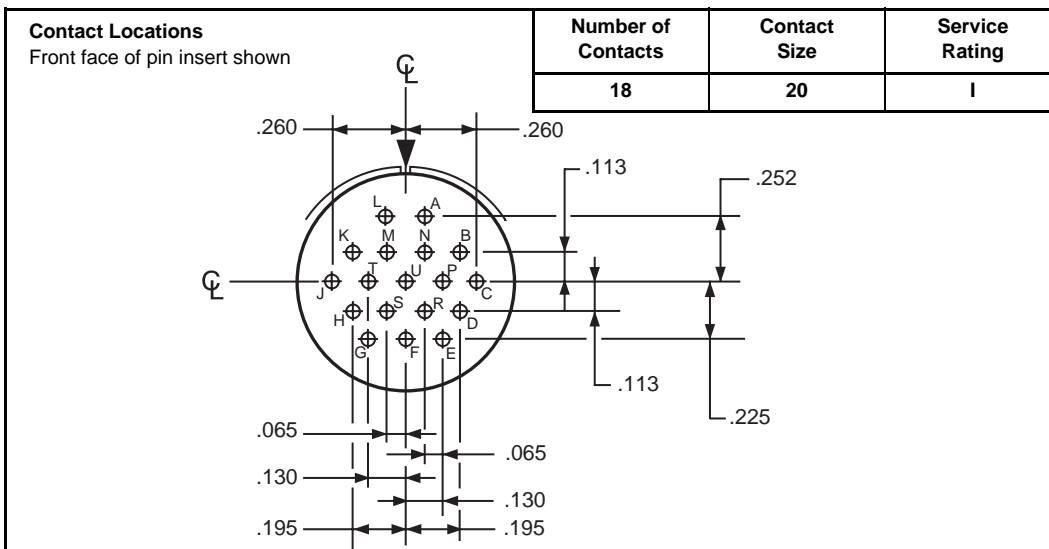
Insert Arrangement #14S-6

Connector Type:	JT MIL-DTL-38999 Series II	LJT MIL-DTL-38999 Series I	Tri-Start MIL-DTL-38999 Series III	MIL-C-26482 Series 1 & 2	MIL-5015
Insert Designation:	NA	NA	NA	NA	14S-6



Insert Arrangement #14-18 / 15-18

Connector Type:	JT MIL-DTL-38999 Series II	LJT MIL-DTL-38999 Series I	Tri-Start MIL-DTL-38999 Series III	MIL-C-26482 Series 1 & 2	MIL-5015
Insert Designation:	14-18	15-18	15-18	14-18	NA

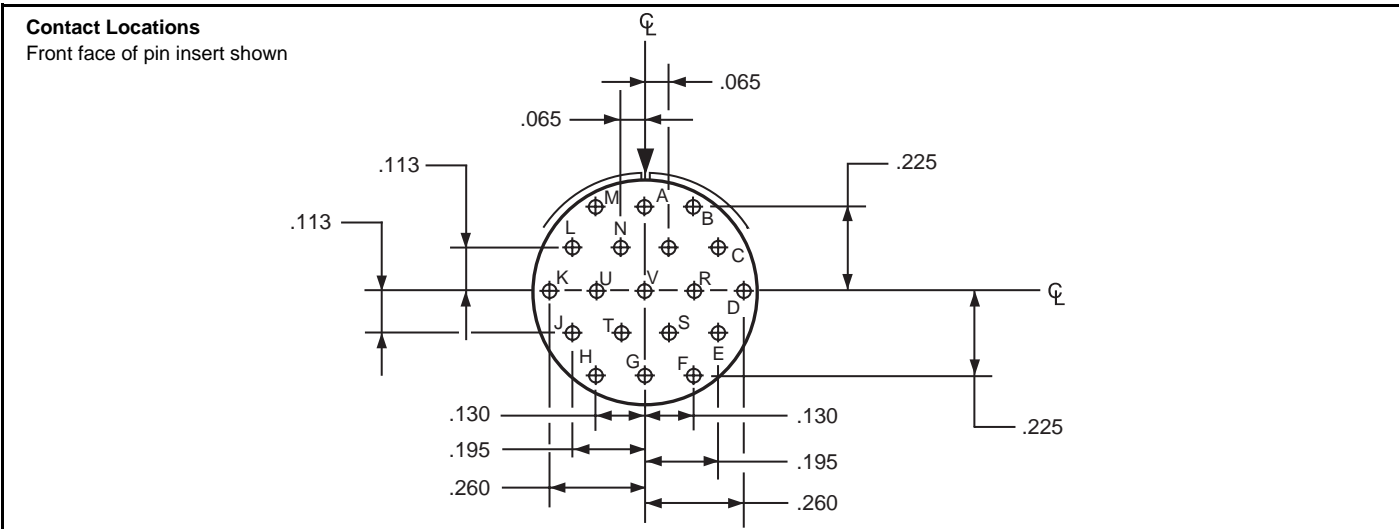


All dimensions for reference only. For alternate rotations see pages 25 & 26.
 Note: Shown in this catalog are the most common insert patterns for PCB applications.
 For availability of other arrangements, consult Amphenol Corp., Sidney, NY.

Cylindrical Connectors with PCB contacts insert arrangements, cont.

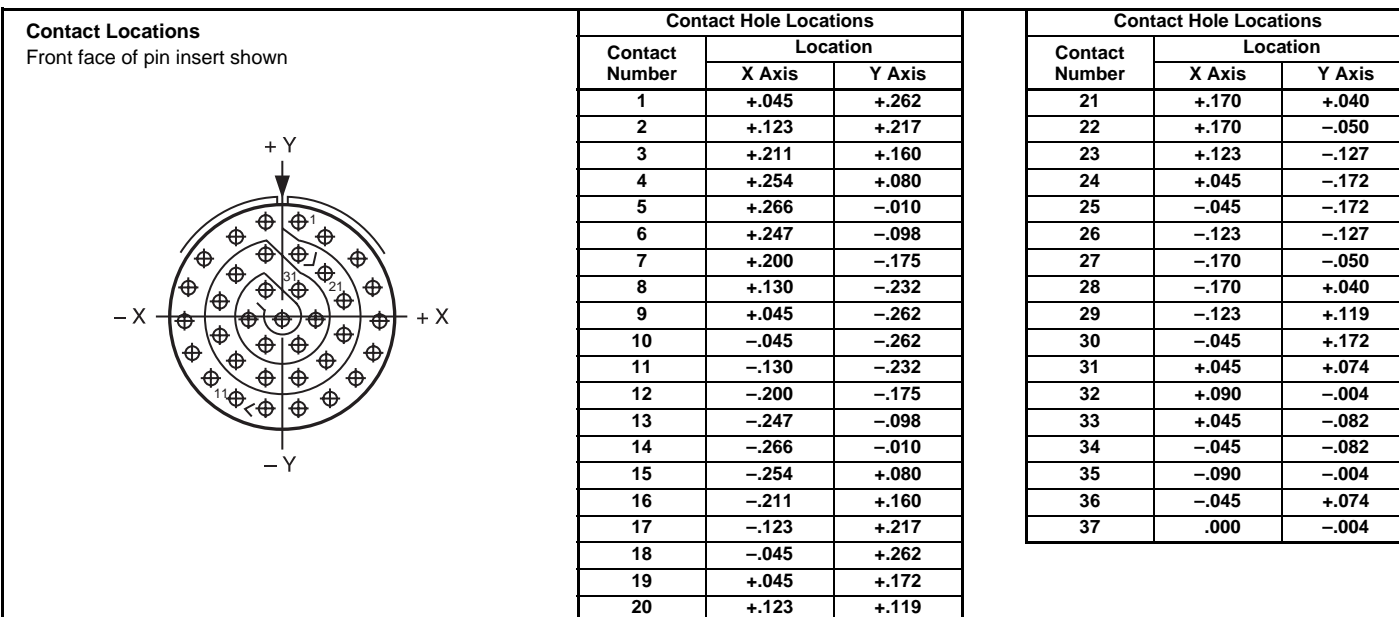
Insert Arrangement #14-19 / 15-19

Connector Type:	JT MIL-DTL-38999 Series II	LJT MIL-DTL-38999 Series I	Tri-Start MIL-DTL-38999 Series III	MIL-C-26482 Series 1 & 2	MIL-5015	Number of Contacts	Contact Size	Service Rating
	14-19	15-19	15-19	14-19	NA			



Insert Arrangement #14-35 / 15-35

Connector Type:	JT MIL-DTL-38999 Series II	LJT MIL-DTL-38999 Series I	Tri-Start MIL-DTL-38999 Series III	MIL-C-26482 Series 1 & 2	MIL-5015	Number of Contacts	Contact Size	Service Rating
	14-35	15-35	15-35	NA	NA			



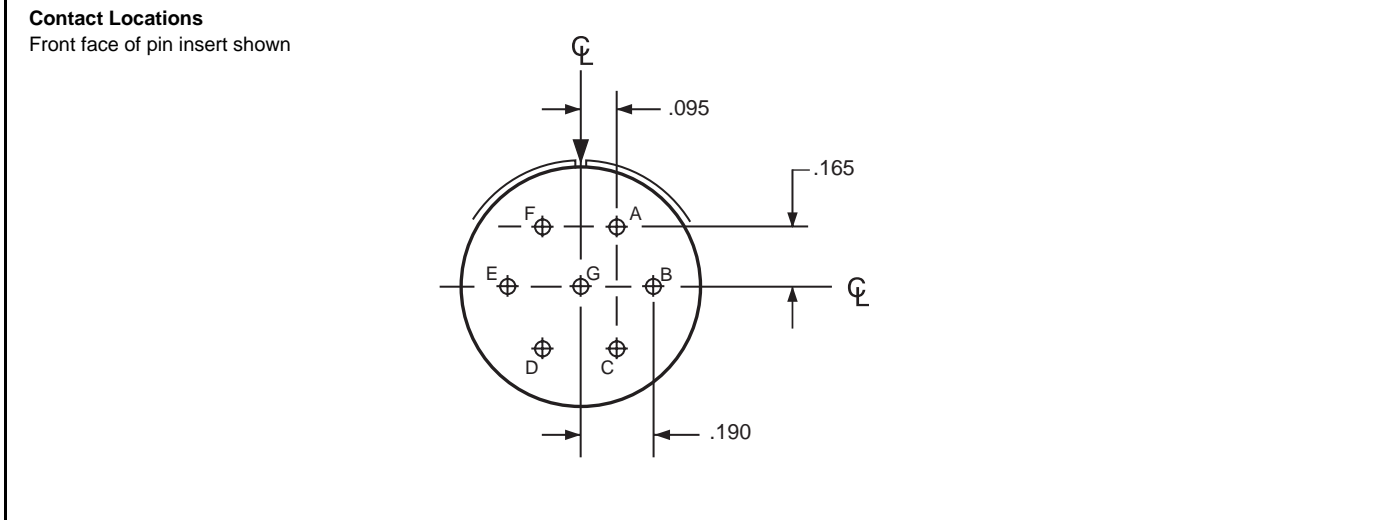
All dimensions for reference only. For alternate rotations see pages 25 & 26.

Note: Shown in this catalog are the most common insert patterns for PCB applications. For availability of other arrangements, consult Amphenol Corp., Sidney, NY.

Cylindrical Connectors with PCB contacts insert arrangements, cont.

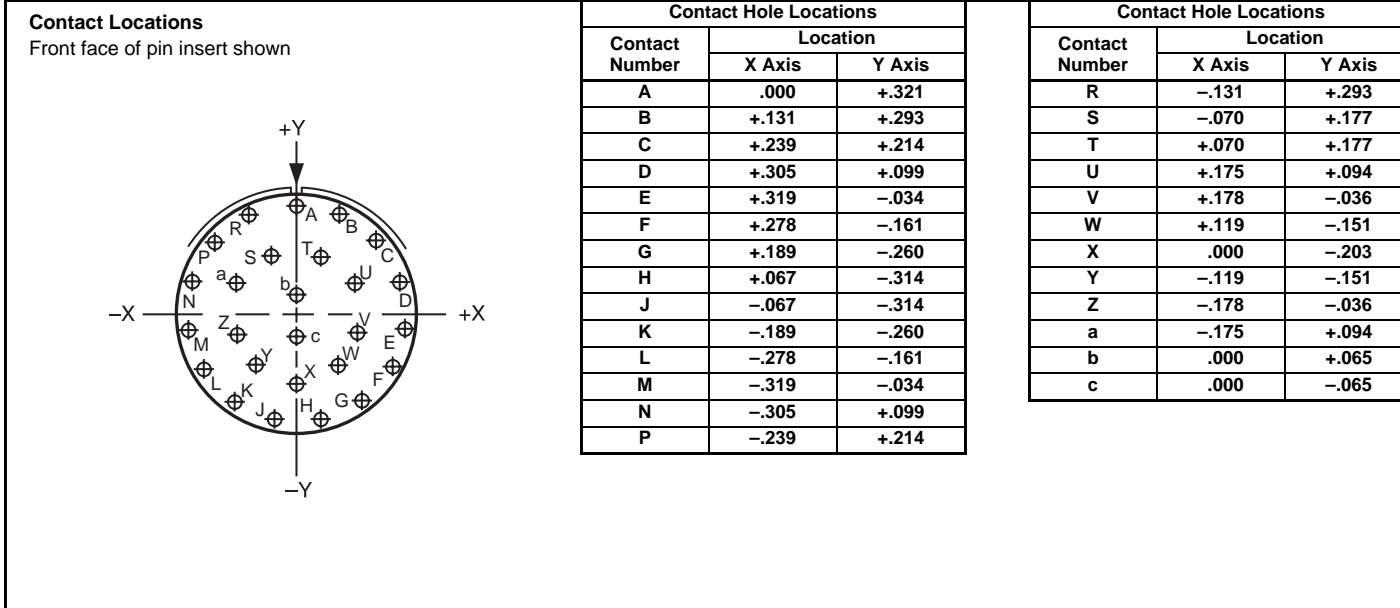
Insert Arrangement #16S-1

Connector Type:	JT MIL-DTL-38999 Series II	LJT MIL-DTL-38999 Series I	Tri-Start MIL-DTL-38999 Series III	MIL-C-26482 Series 1 & 2	MIL-5015	Number of Contacts	Contact Size	Service Rating
Insert Designation:	NA	NA	NA	NA	16S-1	7	16	A



Insert Arrangement #16-26 / 17-26

Connector Type:	JT MIL-DTL-38999 Series II	LJT MIL-DTL-38999 Series I	Tri-Start MIL-DTL-38999 Series III	MIL-C-26482 Series 1 & 2	MIL-5015	Number of Contacts	Contact Size	Service Rating
Insert Designation:	NA	17-26	17-26	16-26	NA	26	20	I



All dimensions for reference only. For alternate rotations see pages 25 & 26.

Note: Shown in this catalog are the most common insert patterns for PCB applications. For availability of other arrangements, consult Amphenol Corp., Sidney, NY.

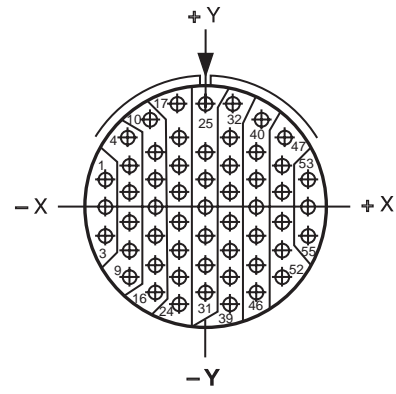
Cylindrical Connectors with PCB contacts insert arrangements, cont.

Insert Arrangement #16-35 / 17-35

Connector Type:	JT MIL-DTL-38999 Series II	LJT MIL-DTL-38999 Series I	Tri-Start MIL-DTL-38999 Series III	MIL-C-26482 Series 1 & 2	MIL-5015
Insert Designation:	16-35	17-35	17-35	NA	NA

Number of Contacts	Contact Size	Service Rating
55	22D	M

Contact Locations
Front face of pin insert shown



Contact Number	Location	
	X Axis	Y Axis
1	-.312	+.086
2	-.312	-.004
3	-.312	-.094
4	-.242	+.221
5	-.234	+.131
6	-.234	+.041
7	-.234	-.049
8	-.234	-.139
9	-.234	-.229
10	-.172	+.279
11	-.156	+.176
12	-.156	+.086
13	-.156	-.004
14	-.156	-.094
15	-.156	-.184
16	-.156	-.274
17	-.089	+.316
18	-.078	+.221
19	-.078	+.131
20	-.078	+.041
21	-.078	-.049
22	-.078	-.139
23	-.078	-.229
24	-.078	-.319
25	.000	+.329
26	.000	+.176
27	.000	+.086
28	.000	-.004
29	.000	-.094
30	.000	-.184
31	.000	-.274

Contact Number	Location	
	X Axis	Y Axis
32	+.089	+.316
33	+.078	+.221
34	+.078	+.131
35	+.078	+.041
36	+.078	-.049
37	+.078	-.139
38	+.078	-.229
39	+.078	-.319
40	+.172	+.279
41	+.156	+.176
42	+.156	+.086
43	+.156	-.004
44	+.156	-.094
45	+.156	-.184
46	+.156	-.274
47	+.242	+.221
48	+.234	+.131
49	+.234	+.041
50	+.234	-.049
51	+.234	-.139
52	+.234	-.229
53	+.312	+.086
54	+.312	-.004
55	+.312	-.094

All dimensions for reference only. For alternate rotations see pages 25 & 26.
 Note: Shown in this catalog are the most common insert patterns for PCB applications.
 For availability of other arrangements, consult Amphenol Corp., Sidney, NY.

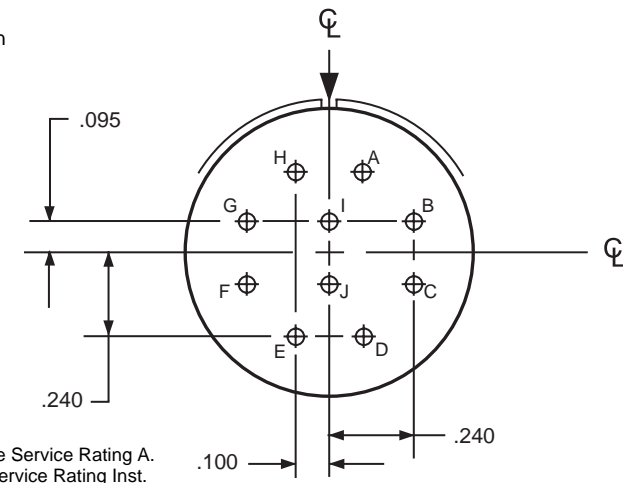
Cylindrical Connectors with PCB contacts insert arrangements, cont.

Insert Arrangement #18-1

Connector Type:	JT MIL-DTL-38999 Series II	LJT MIL-DTL-38999 Series I	Tri-Start MIL-DTL-38999 Series III	MIL-C-26482 Series 1 & 2	MIL-5015	Number of Contacts	Contact Size	Service Rating*
Insert Designation:	NA	NA	NA	NA	18-1	10	16	A/Inst.

Contact Locations

Front face of pin insert shown



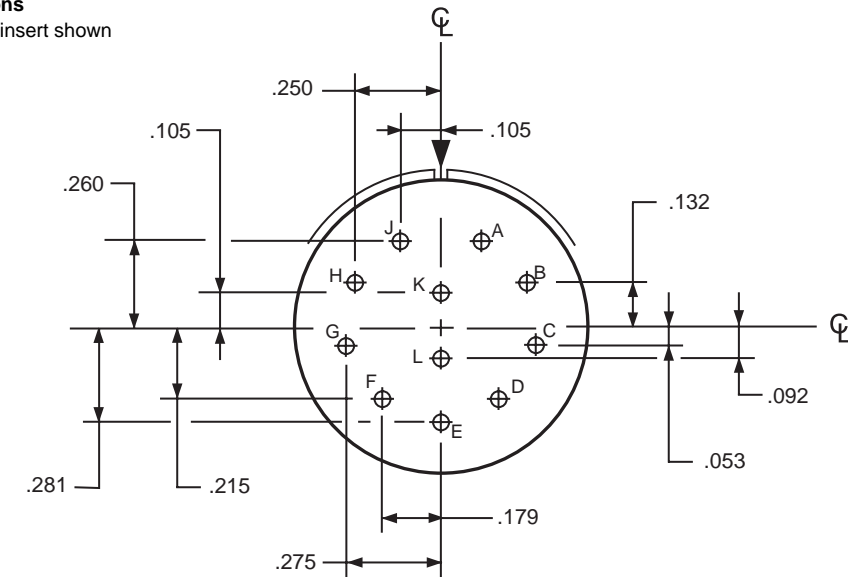
Contact Locations B, C, F, G are Service Rating A.
All other contact locations are Service Rating Inst.

Insert Arrangement #18-11 / 19-11

Connector Type:	JT MIL-DTL-38999 Series II	LJT MIL-DTL-38999 Series I	Tri-Start MIL-DTL-38999 Series III	MIL-C-26482 Series 1 & 2	MIL-5015	Number of Contacts	Contact Size	Service Rating
Insert Designation:	18-11	19-11	19-11	18-11	NA	11	16	II

Contact Locations

Front face of pin insert shown



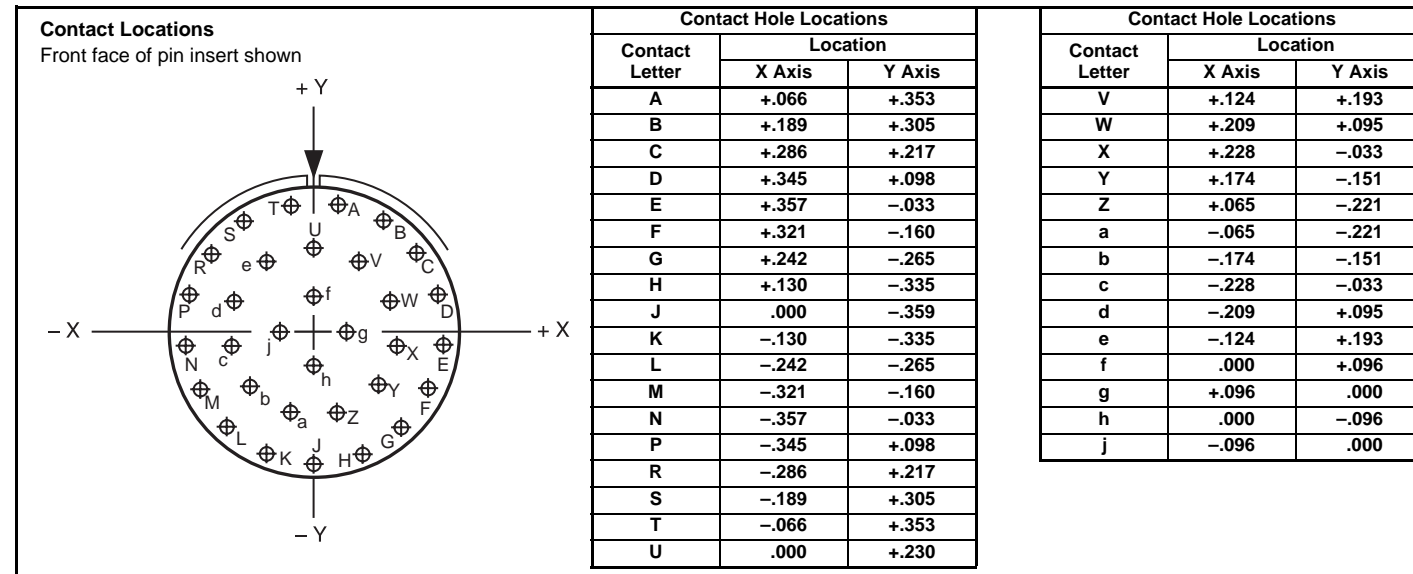
All dimensions for reference only. For alternate rotations see pages 25 & 26.

Note: Shown in this catalog are the most common insert patterns for PCB applications. For availability of other arrangements, consult Amphenol Corp., Sidney, NY.

Cylindrical Connectors with PCB contacts insert arrangements, cont.

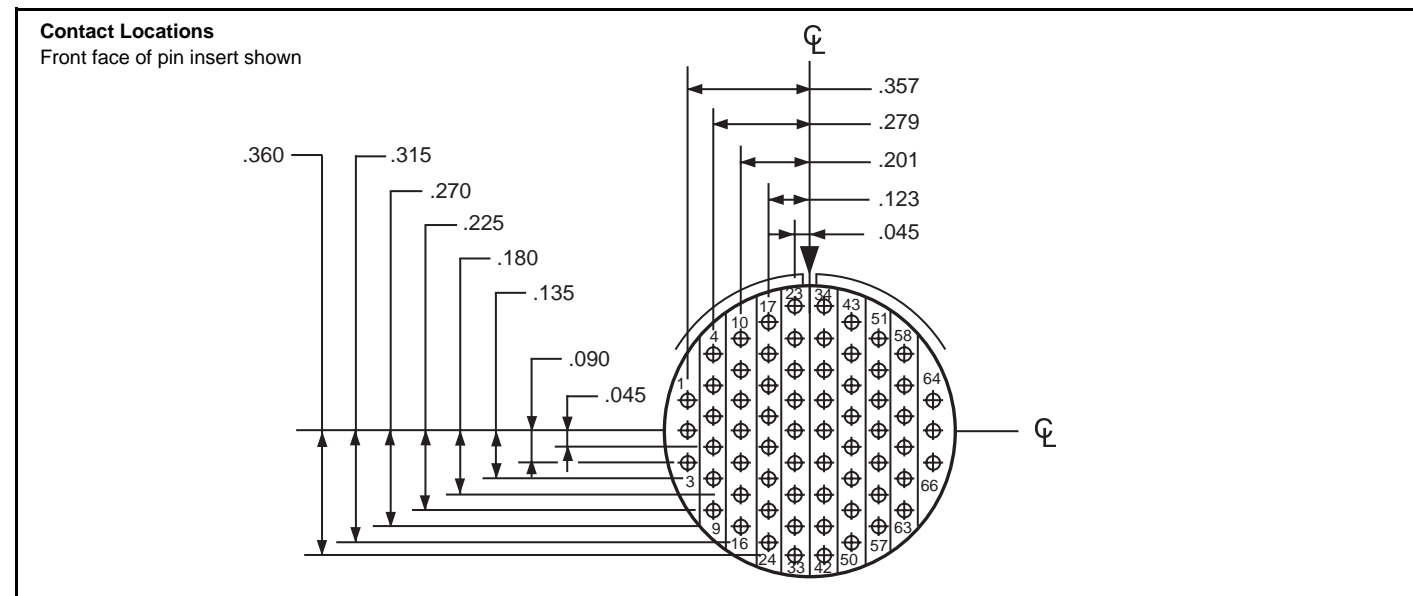
Insert Arrangement #18-32 / 19-32

Connector Type:	JT MIL-DTL-38999 Series II	LJT MIL-DTL-38999 Series I	Tri-Start MIL-DTL-38999 Series III	MIL-C-26482 Series 1 & 2	MIL-5015	Number of Contacts	Contact Size	Service Rating
	18-32	19-32	19-32	18-32	NA			



Insert Arrangement #18-35 / 19-35

Connector Type:	JT MIL-DTL-38999 Series II	LJT MIL-DTL-38999 Series I	Tri-Start MIL-DTL-38999 Series III	MIL-C-26482 Series 1 & 2	MIL-5015	Number of Contacts	Contact Size	Service Rating
	18-35	19-35	19-35	NA	NA			

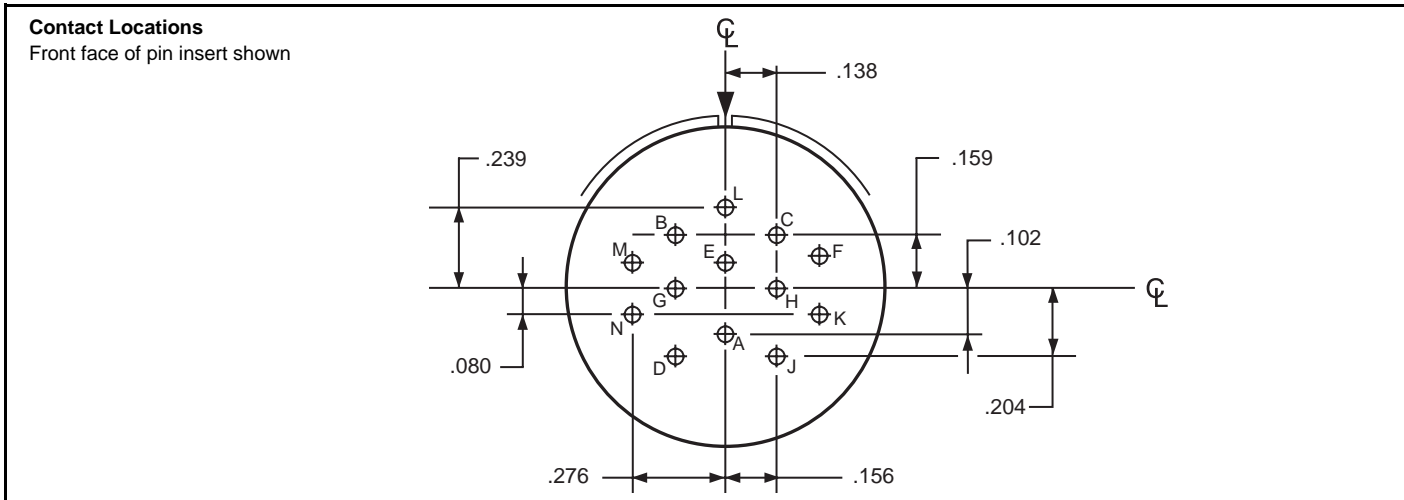


All dimensions for reference only. For alternate rotations see pages 25 & 26.
Note: Shown in this catalog are the most common insert patterns for PCB applications. For availability of other arrangements, consult Amphenol Corp., Sidney, NY.

Cylindrical Connectors with PCB contacts insert arrangements, cont.

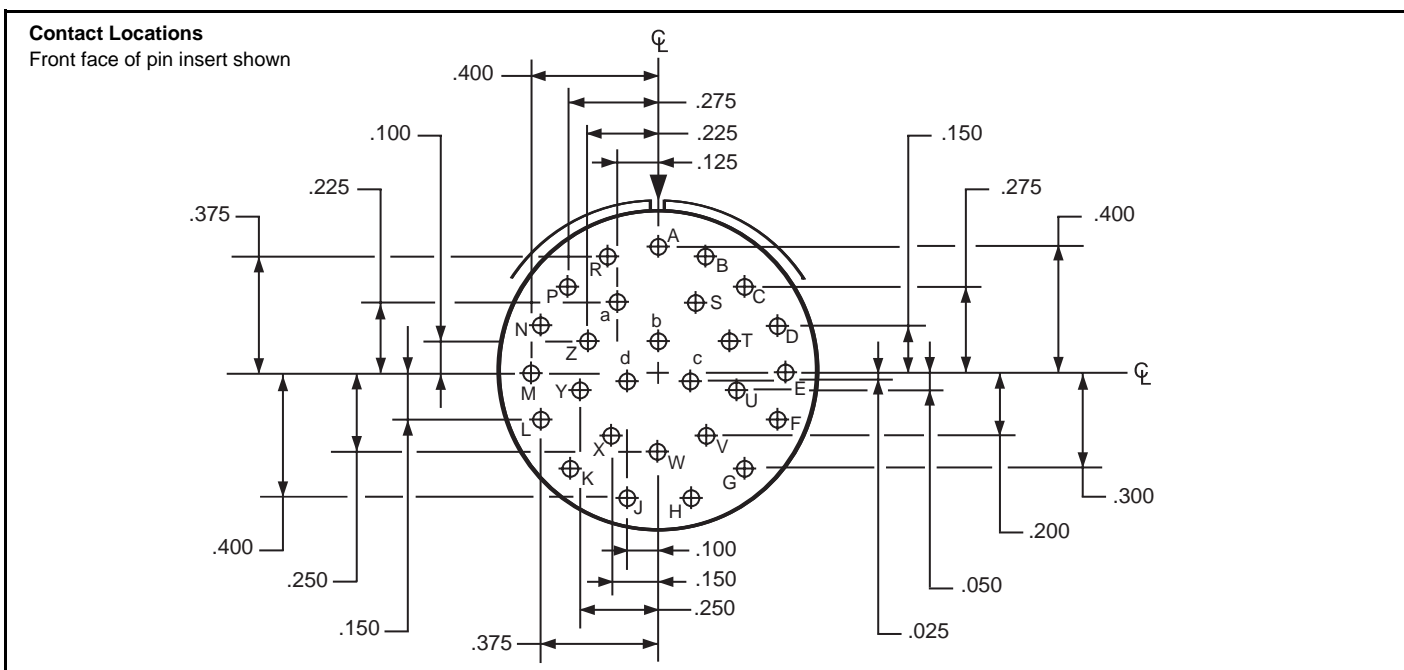
Insert Arrangement #20-11

Connector Type:	JT MIL-DTL-38999 Series II	LJT MIL-DTL-38999 Series I	Tri-Start MIL-DTL-38999 Series III	MIL-C-26482 Series 1 & 2	MIL-5015	Number of Contacts	Contact Size	Service Rating
Insert Designation:	NA	NA	NA	NA	20-11	13	16	Inst.



Insert Arrangement #20-27 / 21-27

Connector Type:	JT MIL-DTL-38999 Series II	LJT MIL-DTL-38999 Series I	Tri-Start MIL-DTL-38999 Series III	MIL-C-26482 Series 1 & 2	MIL-5015	Number of Contacts	Contact Size	Service Rating
Insert Designation:	20-27	21-27	NA	20-27	NA	27	20	I



All dimensions for reference only. For alternate rotations see pages 25 & 26.
Note: Shown in this catalog are the most common insert patterns for PCB applications. For availability of other arrangements, consult Amphenol Corp., Sidney, NY.

Cylindrical Connectors with PCB contacts insert arrangements, cont.

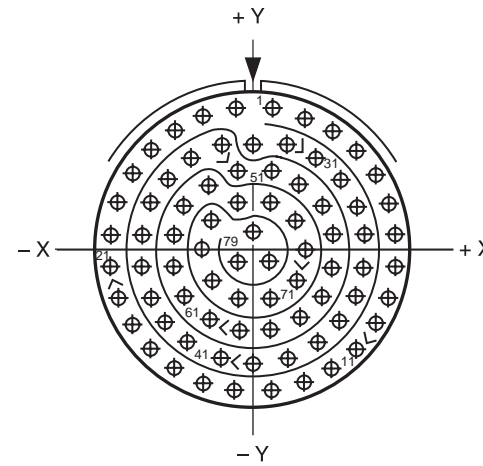
Insert Arrangement #20-35 / 21-35

Connector Type:	JT MIL-DTL-38999 Series II	LJT MIL-DTL-38999 Series I	Tri-Start MIL-DTL-38999 Series III	MIL-C-26482 Series 1 & 2	MIL-5015
	20-35	21-35	21-35	NA	NA

Number of Contacts	Contact Size	Service Rating
79	22D	M

Contact Locations

Front face of pin insert shown



Contact Hole Locations		
Contact Number	Location	
	X Axis	Y Axis
1	+053	+426
2	+146	+404
3	+232	+362
4	+306	+302
5	+365	+227
6	+406	+141
7	+427	+048
8	+427	-.048
9	+406	-.141

Contact Hole Locations		
Contact Number	Location	
	X Axis	Y Axis
10	+365	-.227
11	+306	-.302
12	+232	-.362
13	+146	-.404
14	+053	-.426
15	-.053	-.426
16	-.146	-.404
17	-.232	-.362
18	-.306	-.302
19	-.365	-.227
20	-.406	-.141
21	-.427	-.048
22	-.427	+048
23	-.406	+141
24	-.365	+227
25	-.306	+302
26	-.232	+362
27	-.146	+404
28	-.053	+426
29	.000	+323
30	+098	+322
31	+184	+280
32	+258	+220
33	+311	+141
34	+332	+048
35	+332	-.048
36	+311	-.141
37	+258	-.220
38	+184	-.280
39	+098	-.322
40	.000	-.347
41	-.098	-.322
42	-.184	-.280
43	-.258	-.220
44	-.311	-.141

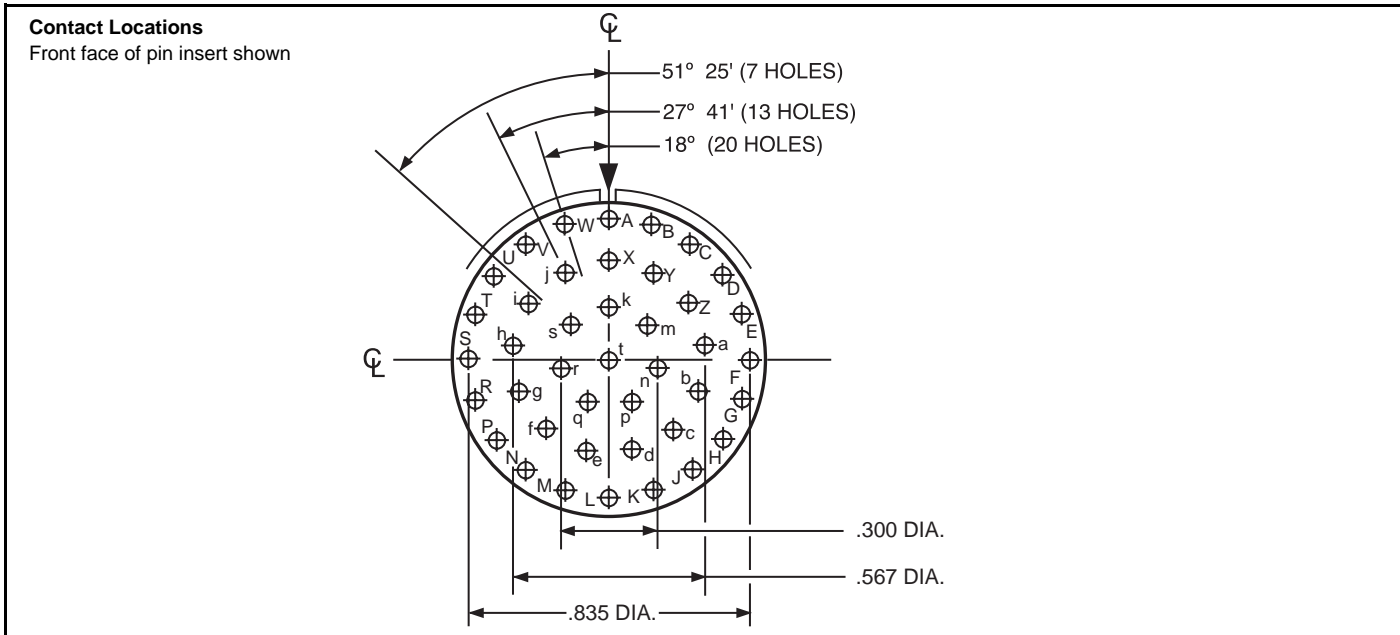
Contact Hole Locations		
Contact Number	Location	
	X Axis	Y Axis
45	-.332	-.048
46	-.332	+048
47	-.311	+141
48	-.258	+220
49	-.184	+280
50	-.098	+322
51	-.048	+241
52	+048	+241
53	+134	+199
54	+208	+139
55	+237	+048
56	+237	-.048
57	+208	-.139
58	+134	-.199
59	+048	-.241
60	-.048	-.241
61	-.134	-.199
62	-.208	-.139
63	-.237	-.048
64	-.237	+048
65	-.208	+139
66	-.134	+199
67	-.048	+146
68	+048	+146
69	+125	+090
70	+155	.000
71	+125	-.090
72	+048	-.146
73	-.048	-.146
74	-.125	-.090
75	-.155	.000
76	-.125	+090
77	.000	+053
78	+048	-.029
79	-.048	-.029

All dimensions for reference only. For alternate rotations see pages 25 & 26.
 Note: Shown in this catalog are the most common insert patterns for PCB applications.
 For availability of other arrangements, consult Amphenol Corp., Sidney, NY.

Cylindrical Connectors with PCB contacts insert arrangements, cont.

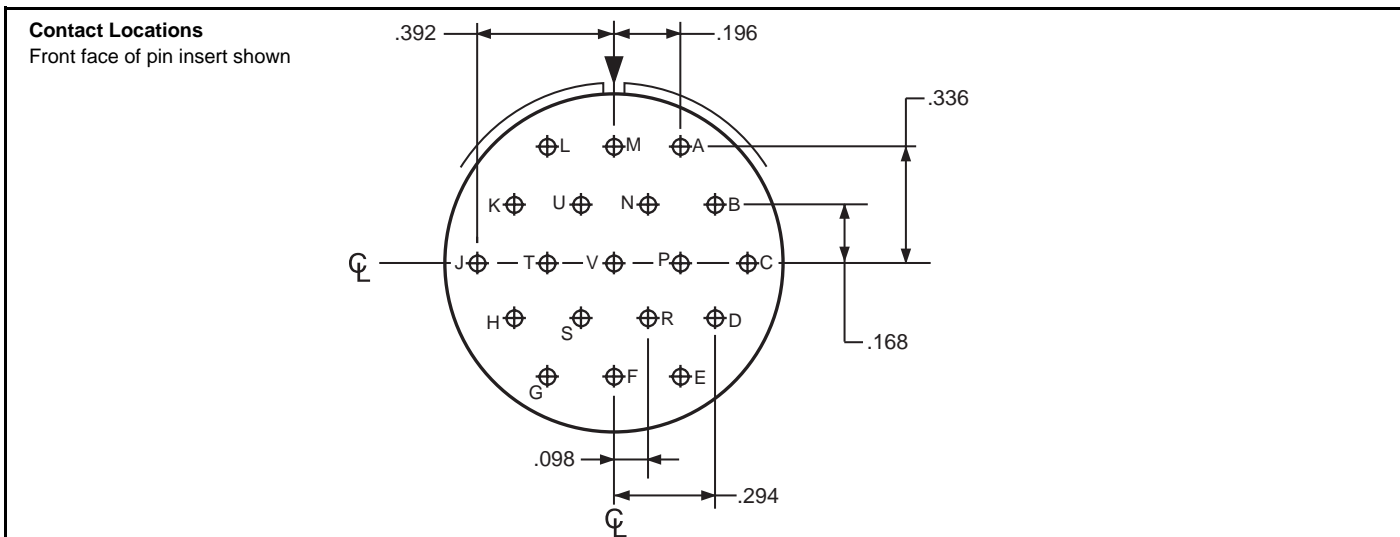
Insert Arrangement #20-41 / 21-41

Connector Type:	JT MIL-DTL-38999 Series II	LJT MIL-DTL-38999 Series I	Tri-Start MIL-DTL-38999 Series III	MIL-C-26482 Series 1 & 2	MIL-5015	Number of Contacts	Contact Size	Service Rating
Insert Designation:	20-41	21-41	21-41	20-41	NA	41	20	I



Insert Arrangement #22-14

Connector Type:	JT MIL-DTL-38999 Series II	LJT MIL-DTL-38999 Series I	Tri-Start MIL-DTL-38999 Series III	MIL-C-26482 Series 1 & 2	MIL-5015	Number of Contacts	Contact Size	Service Rating
Insert Designation:	NA	NA	NA	NA	22-14	19	16	A



Cylindrical Connectors with PCB contacts insert arrangements, cont.

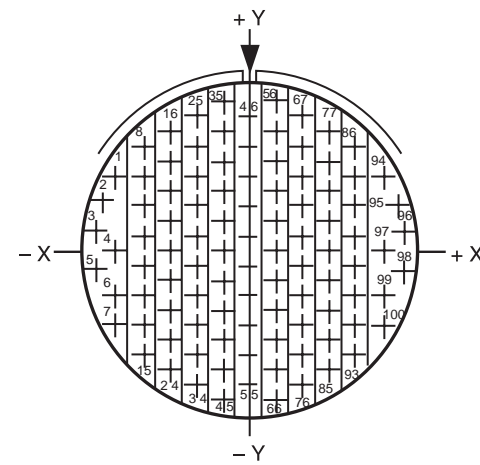
Insert Arrangement #22-35 / 23-35

Connector Type:	JT MIL-DTL-38999 Series II	LJT MIL-DTL-38999 Series I	Tri-Start MIL-DTL-38999 Series III	MIL-C-26482 Series 1 & 2	MIL-5015
	22-35	23-35	23-35	NA	NA

Number of Contacts	Contact Size	Service Rating
100	22D	M

Contact Locations

Front face of pin insert shown



Contact Number	Location	
	X Axis	Y Axis
1	-.428	+.241
2	-.467	+.154
3	-.488	+.061
4	-.415	.000
5	-.488	-.061
6	-.428	-.142
7	-.428	-.237
8	-.332	+.333
9	-.332	+.238
10	-.332	+.143
11	-.332	+.048
12	-.332	-.047
13	-.332	-.142
14	-.332	-.237
15	-.332	-.332
16	-.249	+.380
17	-.249	+.285
18	-.249	+.190

Contact Number	Location	
	X Axis	Y Axis
19	-.249	+.095
20	-.249	.000
21	-.249	-.095
22	-.249	-.190
23	-.249	-.285
24	-.249	-.380
25	-.166	+.428
26	-.166	+.333
27	-.166	+.238
28	-.166	+.143
29	-.166	+.048
30	-.166	-.047
31	-.166	-.142
32	-.166	-.237
33	-.166	-.332
34	-.166	-.427
35	-.083	+.475
36	-.083	+.380
37	-.083	+.285
38	-.083	+.190
39	-.083	+.095
40	-.083	.000
41	-.083	-.095
42	-.083	-.190
43	-.083	-.285
44	-.083	-.380
45	-.083	-.475
46	.000	+.428
47	.000	+.333
48	.000	+.238
49	.000	+.143
50	.000	+.048
51	.000	-.047
52	.000	-.142
53	.000	-.237
54	.000	-.332
55	.000	-.427
56	+.083	+.475
57	+.083	+.380
58	+.083	+.285
59	+.083	+.190
60	+.083	+.095

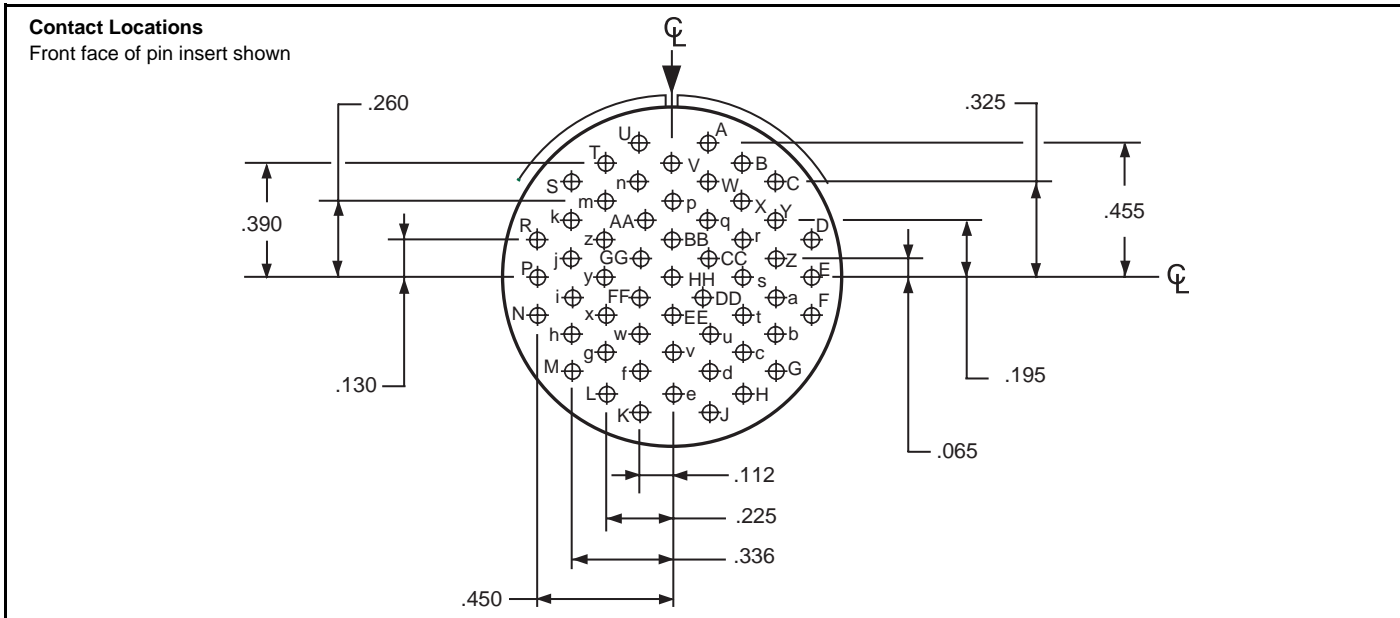
Contact Number	Location	
	X Axis	Y Axis
61	+.083	.000
62	+.083	-.095
63	+.083	-.190
64	+.083	-.285
65	+.083	-.380
66	+.083	-.475
67	+.166	+.428
68	+.166	+.333
69	+.166	+.238
70	+.166	+.143
71	+.166	+.048
72	+.166	-.047
73	+.166	-.142
74	+.166	-.237
75	+.166	-.332
76	+.166	-.427
77	+.249	+.380
78	+.249	+.285
79	+.249	+.190
80	+.249	+.095
81	+.249	.000
82	+.249	-.095
83	+.249	-.190
84	+.249	-.285
85	+.249	-.380
86	+.332	+.333
87	+.332	+.238
88	+.332	+.143
89	+.332	+.048
90	+.332	-.047
91	+.332	-.142
92	+.332	-.237
93	+.332	-.332
94	+.428	+.241
95	+.467	+.154
96	+.488	+.061
97	+.415	.000
98	+.488	-.061
99	+.428	-.142
100	+.428	-.237

All dimensions for reference only. For alternate rotations see pages 25 & 26.
Note: Shown in this catalog are the most common insert patterns for PCB applications.
For availability of other arrangements, consult Amphenol Corp., Sidney, NY.

Cylindrical Connectors with PCB contacts insert arrangements, cont.

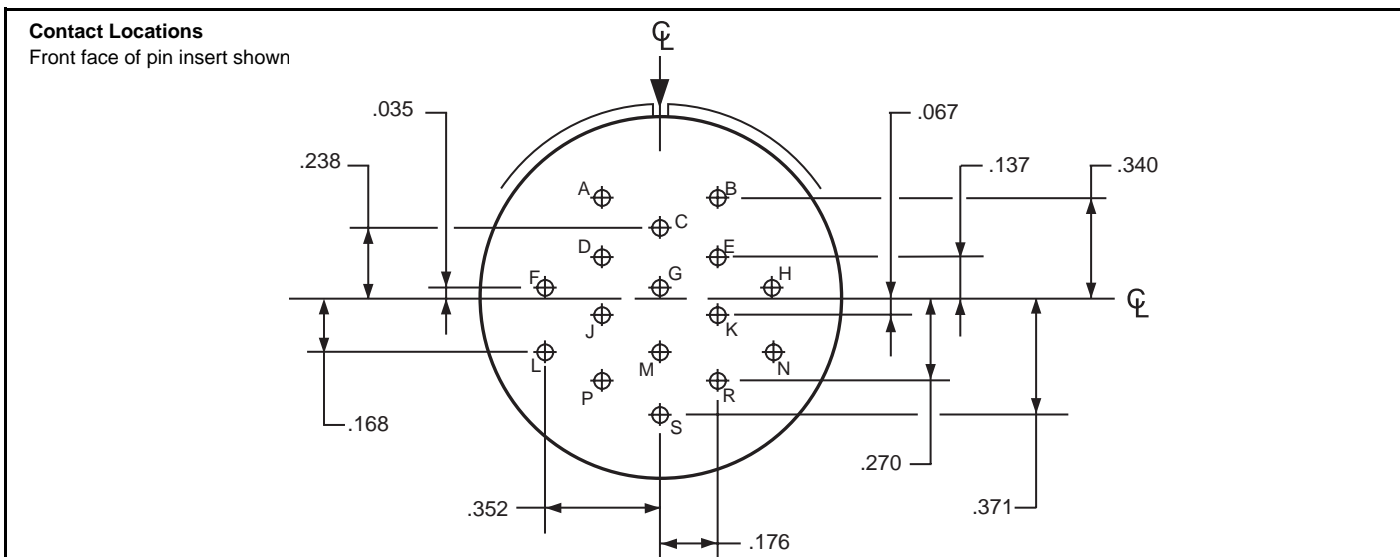
Insert Arrangement #22-55 / 23-55

Connector Type:	JT MIL-DTL-38999 Series II	LJT MIL-DTL-38999 Series I	Tri-Start MIL-DTL-38999 Series III	MIL-C-26482 Series 1 & 2	MIL-5015	Number of Contacts	Contact Size	Service Rating
Insert Designation:	22-55	23-55	23-55	22-55	NA	55	20	I



Insert Arrangement #24-5

Connector Type:	JT MIL-DTL-38999 Series II	LJT MIL-DTL-38999 Series I	Tri-Start MIL-DTL-38999 Series III	MIL-C-26482 Series 1 & 2	MIL-5015	Number of Contacts	Contact Size	Service Rating
Insert Designation:	NA	NA	NA	NA	24-5	16	16	A

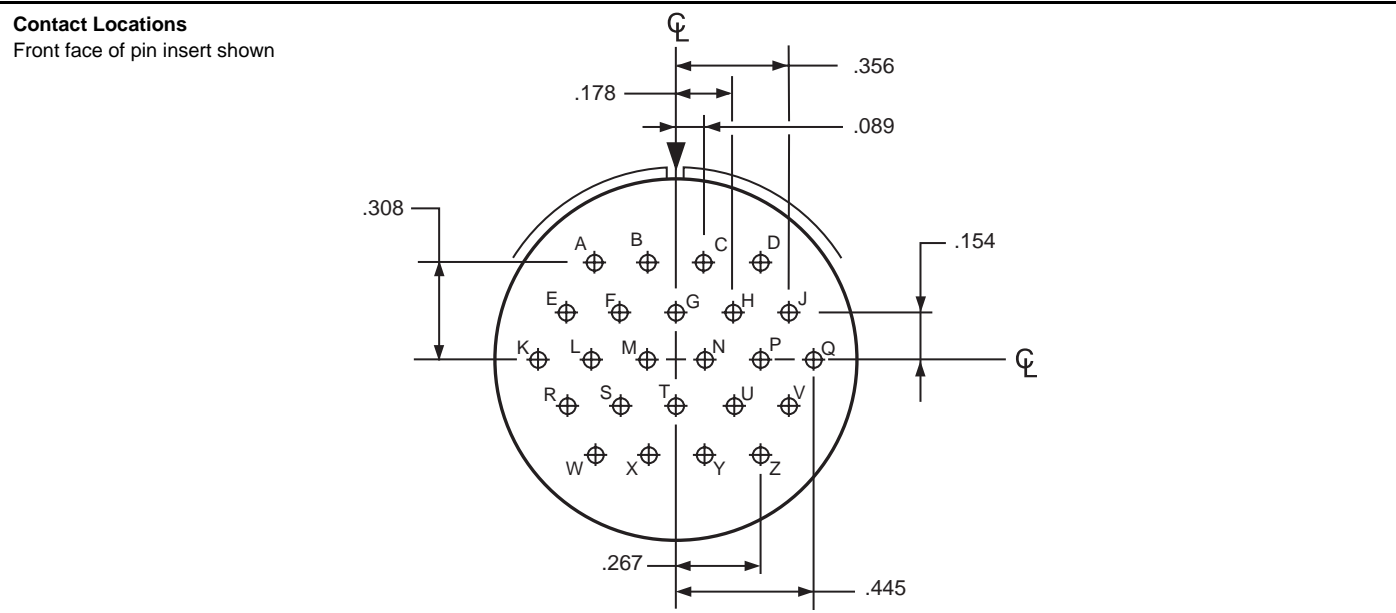


All dimensions for reference only. For alternate rotations see pages 25 & 26.
Note: Shown in this catalog are the most common insert patterns for
PCB applications. For availability of other arrangements, consult
Amphenol Corp., Sidney, NY.

Cylindrical Connectors with PCB contacts insert arrangements, cont.

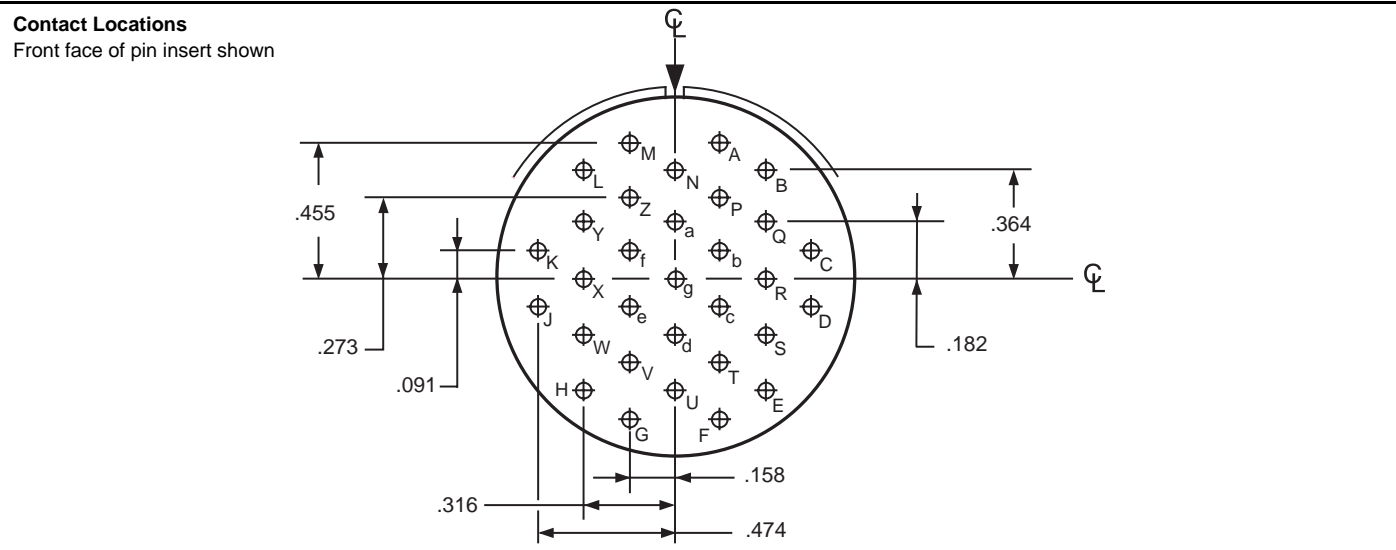
Insert Arrangement #24-28

Connector Type:	JT MIL-DTL-38999 Series II	LJT MIL-DTL-38999 Series I	Tri-Start MIL-DTL-38999 Series III	MIL-C-26482 Series 1 & 2	MIL-5015	Number of Contacts	Contact Size	Service Rating
Insert Designation:	NA	NA	NA	NA	24-28	24	16	Inst.



Insert Arrangement #24-31 / 25-31

Connector Type:	JT MIL-DTL-38999 Series II	LJT MIL-DTL-38999 Series I	Tri-Start MIL-DTL-38999 Series III	MIL-C-26482 Series 1 & 2	MIL-5015	Number of Contacts	Contact Size	Service Rating
Insert Designation:	24-31	NA	NA	24-31	NA	31	16	I



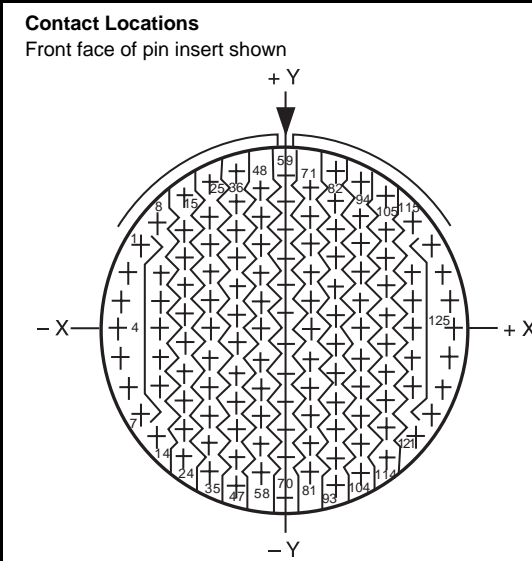
All dimensions for reference only. For alternate rotations see pages 25 & 26.
Note: Shown in this catalog are the most common insert patterns for PCB applications. For availability of other arrangements, consult Amphenol Corp., Sidney, NY.

Cylindrical Connectors with PCB contacts insert arrangements, cont.

Insert Arrangement #24-35 / 25-35

Connector Type:	JT MIL-DTL-38999 Series II	LJT MIL-DTL-38999 Series I	Tri-Start MIL-DTL-38999 Series III	MIL-C-26482 Series 1 & 2	MIL-5015
Insert Designation:	24-35	25-35	25-35	NA	NA

Number of Contacts	Contact Size	Service Rating
128	22D	M



Contact Number	Location	
	X Axis	Y Axis
1	-.479	+.279
2	-.520	+.190
3	-.546	+.095
4	-.555	.000
5	-.546	-.095
6	-.520	-.190
7	-.479	-.279
8	-.424	+.357
9	-.415	+.190
10	-.415	+.095
11	-.415	.000
12	-.415	-.095
13	-.415	-.190
14	-.424	-.357
15	-.332	+.444
16	-.332	+.332
17	-.332	+.237
18	-.332	+.142
19	-.332	+.047
20	-.332	-.047
21	-.332	-.142
22	-.332	-.237
23	-.332	-.332
24	-.332	-.427
25	-.249	+.496
26	-.249	+.380
27	-.249	+.285

Contact Number	Location	
	X Axis	Y Axis
28	-.249	+.190
29	-.249	+.095
30	-.249	.000
31	-.249	-.095
32	-.249	-.190
33	-.249	-.285
34	-.249	-.380
35	-.249	-.475
36	-.166	+.531
37	-.166	+.427
38	-.166	+.332
39	-.166	+.237
40	-.166	+.142
41	-.166	+.047
42	-.166	-.047
43	-.166	-.142
44	-.166	-.237
45	-.166	-.332
46	-.166	-.427
47	-.166	-.522
48	-.083	+.475
49	-.083	+.380
50	-.083	+.285
51	-.083	+.190
52	-.083	+.095
53	-.083	.000
54	-.083	-.095
55	-.083	-.190
56	-.083	-.285
57	-.083	-.380
58	-.083	-.475
59	.000	+.522
60	.000	+.427
61	.000	+.332
62	.000	+.237
63	.000	+.142
64	.000	+.047
65	.000	-.047
66	.000	-.142
67	.000	-.237
68	.000	-.332
69	.000	-.427
70	.000	-.522
71	+.083	+.475
72	+.083	+.380
73	+.083	+.285
74	+.083	+.190
75	+.083	+.095
76	+.083	.000
77	+.083	-.095

Contact Number	Location	
	X Axis	Y Axis
78	+.083	-.190
79	+.083	-.285
80	+.083	-.380
81	+.083	-.475
82	+.166	+.531
83	+.166	+.427
84	+.166	+.332
85	+.166	+.237
86	+.166	+.142
87	+.166	+.047
88	+.166	-.047
89	+.166	-.142
90	+.166	-.237
91	+.166	-.332
92	+.166	-.427
93	+.166	-.522
94	+.249	+.496
95	+.249	+.380
96	+.249	+.285
97	+.249	+.190
98	+.249	+.095
99	+.249	.000
100	+.249	-.095
101	+.249	-.190
102	+.249	-.285
103	+.249	-.380
104	+.249	-.475
105	+.332	+.444
106	+.332	+.332
107	+.332	+.237
108	+.332	+.142
109	+.332	+.047
110	+.332	-.047
111	+.332	-.142
112	+.332	-.237
113	+.332	-.332
114	+.332	-.427
115	+.424	+.357
116	+.415	+.190
117	+.415	+.095
118	+.415	.000
119	+.415	-.095
120	+.415	-.190
121	+.424	-.357
122	+.479	+.279
123	+.520	+.190
124	+.546	+.095
125	+.555	.000
126	+.546	-.095
127	+.520	-.190
128	+.479	-.279

Cylindrical Connectors with PCB contacts insert arrangements, cont.

Insert Arrangement #24-61 / 25-61

Connector Type:	JT MIL-DTL-38999 Series II	LJT MIL-DTL-38999 Series I	Tri-Start MIL-DTL-38999 Series III	MIL-C-26482 Series 1 & 2	MIL-5015
	24-61	25-61	25-61	24-61	
Insert Designation:	24-61	25-61	25-61	24-61	NA

Number of Contacts	Contact Size	Service Rating
61	20	I

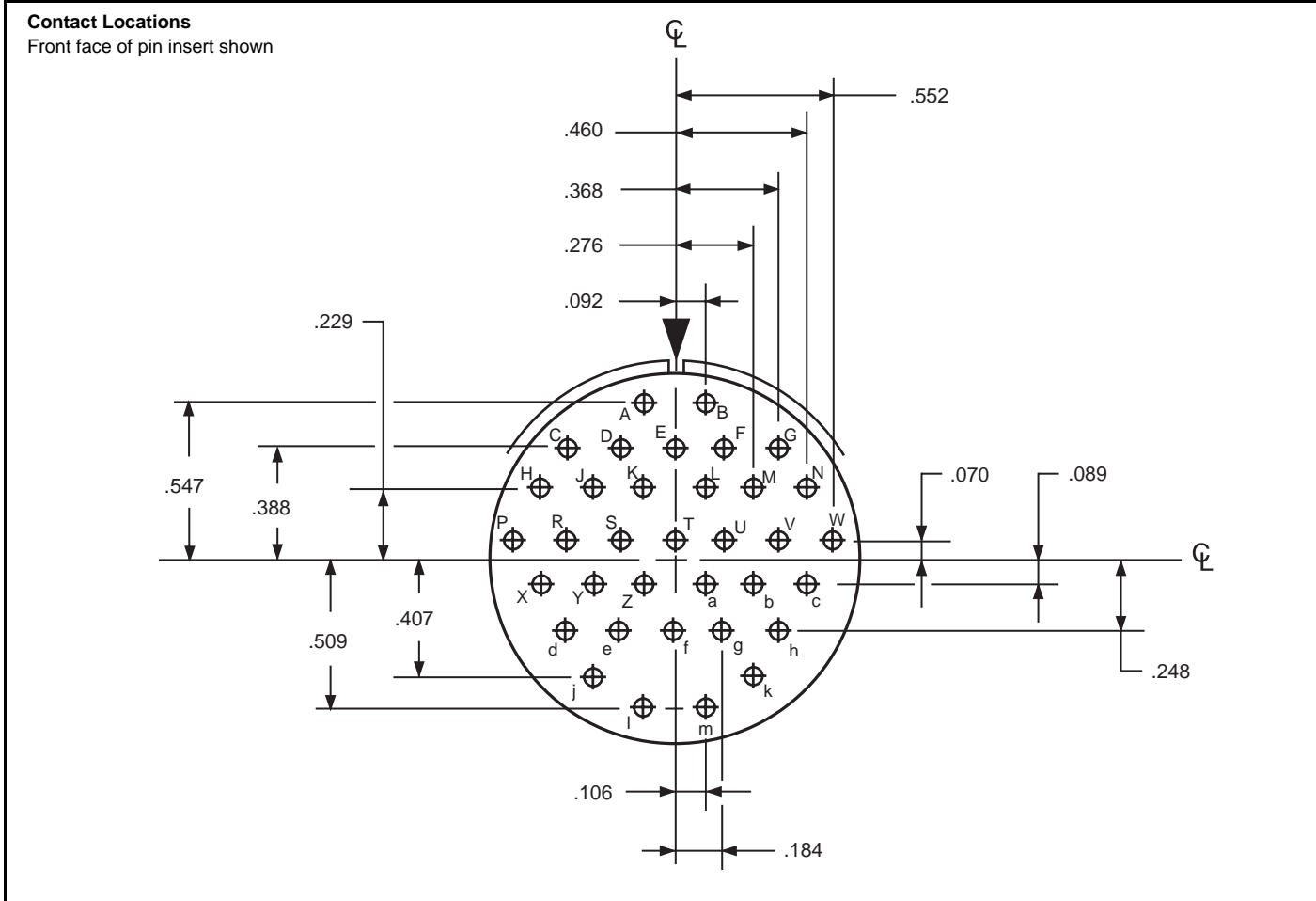
Contact Locations Front face of pin insert shown	Contact Hole Locations			Contact Hole Locations		
	Contact Number	Location		Contact Number	Location	
		X Axis	Y Axis		X Axis	Y Axis
	A	+ .196	+ .500	h	+ .341	- .213
	B	+ .314	+ .435	i	+ .251	- .314
	C	+ .413	+ .343	j	+ .133	- .379
	D	+ .485	+ .230	k	.000	- .402
	E	+ .527	+ .101	m	- .133	- .379
	F	+ .536	- .030	n	- .251	- .314
	G	+ .511	- .164	p	- .341	- .213
	H	+ .454	- .287	q	- .392	- .088
	J	+ .368	- .391	r	- .399	+ .046
	K	+ .259	- .470	s	- .362	+ .175
	L	+ .134	- .519	t	- .285	+ .283
	M	.000	- .537	u	- .173	+ .363
	N	- .134	- .519	v	.000	+ .338
	P	- .259	- .470	w	+ .147	+ .223
	R	- .368	- .391	x	+ .237	+ .122
	S	- .454	- .287	y	+ .267	- .010
	T	- .511	- .164	z	+ .228	- .139
	U	- .536	- .030	AA	+ .131	- .233
	V	- .527	+ .101	BB	.000	- .267
	W	- .485	+ .230	CC	- .131	- .233
	X	- .413	+ .343	DD	- .228	- .139
	Y	- .314	+ .435	EE	- .267	- .010
	Z	- .196	+ .500	FF	- .237	+ .122
	a	- .068	+ .454	GG	- .147	+ .223
	b	+ .068	+ .454	HH	.000	+ .200
	c	+ .173	+ .363	JJ	+ .105	+ .094
	d	+ .285	+ .283	KK	+ .135	- .041
	e	+ .362	+ .175	LL	.000	- .132
	f	+ .399	+ .046	MM	- .135	- .041
	g	+ .392	- .088	NN	- .105	+ .094
				PP	.000	.000

All dimensions for reference only. For alternate rotations see pages 25 & 26.
 Note: Shown in this catalog are the most common insert patterns for PCB applications.
 For availability of other arrangements, consult Amphenol Corp., Sidney, NY.

Cylindrical Connectors with PCB contacts insert arrangements, cont.

Insert Arrangement #28-15

Connector Type:	JT MIL-DTL-38999 Series II	LJT MIL-DTL-38999 Series I	Tri-Start MIL-DTL-38999 Series III	MIL-C-26482 Series 1 & 2	MIL-5015	Number of Contacts	Contact Size	Service Rating
Insert Designation:	NA	NA	NA	NA	28-15	35	16	A



All dimensions for reference only. For alternate rotations see pages 25 & 26.
Note: Shown in this catalog are the most common insert patterns for PCB applications.
For availability of other arrangements, consult Amphenol Corp., Sidney, NY.

Cylindrical Connectors with PCB contacts

alternate positioning available

for MIL-DTL-38999 connectors

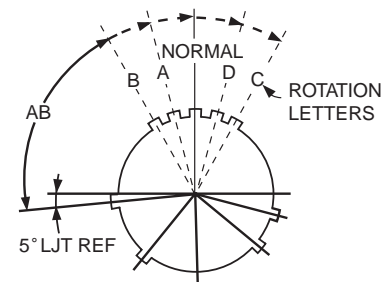
To avoid cross-plugging problems in applications requiring the use of more than one connector of the same series, size and arrangement, alternate rotations are available as indicated in the accompanying charts.

In MIL-DTL-38999 Series I, II and III connectors the rotation is based on rotating the master key/keyway in the connector shell.

A plug with a given rotation letter will mate with a receptacle with the same rotation letter. Only the master key/keyway rotates in the shell, and the insert always remains in the same position relative to the minor keys. Refer to diagrams below for each connector series.

LJT (MIL-DTL-38999 Series I) KEY/KEYWAY ROTATION

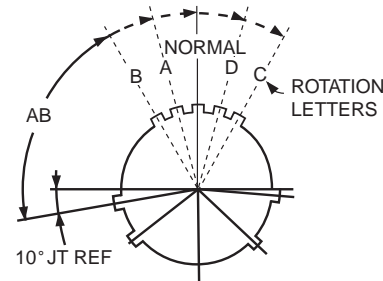
AB ANGLE OF ROTATION (Degrees)					
Shell Size	Normal°	A°	B°	C°	D°
9	95	77	—	—	113
11	95	81	67	123	109
13	95	75	63	127	115
15	95	74	61	129	116
17	95	77	65	125	113
19	95	77	65	125	113
21	95	77	65	125	113
23	95	80	69	121	110
25	95	80	69	121	110



RELATIVE POSSIBLE POSITION OF ROTATED MASTER KEYWAY (front face of LJT connector receptacle shown)

JT (MIL-DTL-38999 Series II) KEY/KEYWAY ROTATION

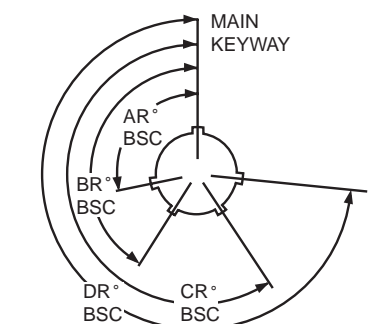
AB ANGLE OF ROTATION (Degrees)					
Shell Size	Normal°	A°	B°	C°	D°
8	100	82	—	—	118
10	100	86	72	128	114
12	100	80	68	132	120
14	100	79	66	134	121
16	100	82	70	130	118
18	100	82	70	130	118
20	100	82	70	130	118
22	100	85	74	126	115
24	100	85	74	126	115



RELATIVE POSSIBLE POSITION OF ROTATED MASTER KEYWAY (front face of JT connector receptacle shown)

Tri-Start (MIL-DTL-38999 Series III) KEY/KEYWAY ROTATION

Shell Size	Key & Keyway Arrangement Identification Letter	AR°	BR°	CR°	DR°
		BSC	BSC	BSC	BSC
9	N	105	140	215	265
	A	102	132	248	320
	B	80	118	230	312
	C	35	140	205	275
	D	64	155	234	304
11, 13, and 15	E	91	131	197	240
	N	95	141	208	236
	A	113	156	182	292
	B	90	145	195	252
	C	53	156	220	255
17 and 19	D	119	146	176	298
	E	51	141	184	242
	N	80	142	196	293
	A	135	170	200	310
	B	49	169	200	244
21, 23, and 25	C	66	140	200	257
	D	62	145	180	280
	E	79	153	197	272
	N	80	142	196	293
	A	135	170	200	310
21, 23, and 25	B	49	169	200	244
	C	66	140	200	257
	D	62	145	180	280
	E	79	153	197	272



RELATIVE POSSIBLE POSITION OF ROTATED MASTER KEYWAY (front face of Tri-Start connector receptacle shown)

LJT & JT CONNECTORS ALTERNATE ROTATION CROSS REFERENCE LETTERS

Pins in Alternate Rotations	Sockets in Alternate Rotations
PA = E	SA = F
PB = R	SB = T
PC = W	SC = X
PD = Y	SD = Z

Explanation:
Use P at end of part number for pin contacts in Normal position.
Use S at end of part number for socket contacts in Normal position.
Use cross reference letters given in chart above for alternate rotations.

TRI-START CONNECTORS ALTERNATE ROTATION CROSS REFERENCE LETTERS

Pins in Alternate Rotations	Sockets in Alternate Rotations
PA = G	SA = H
PB = I	SB = J
PC = K	SC = L
PD = M	SD = N
PE = R	SE = T

Explanation:
Use P at end of part number for pin contacts in Normal position.
Use S at end of part number for socket contacts in Normal position.
Use cross reference letters given in chart above for alternate rotations.

Cylindrical Connectors with PCB contacts alternate positioning available for MIL-C-26482 and MIL-5015 connectors

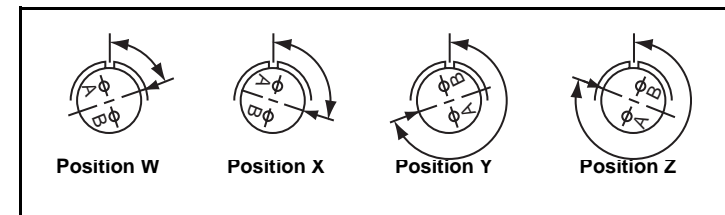
To avoid cross-plugging problems in applications requiring the use of more than one connector of the same series, size and arrangement, alternate rotations are available as indicated in the accompanying charts.

In MIL-C-26482 and MIL-5015 connectors the rotation is based on rotation of the insert within the connector.

A plug with a given rotation letter will mate with a receptacle with the same rotation letter. The front face of the pin insert is rotated within the shell in a clockwise direction from the normal shell key. Refer to diagram below for both MIL-C-26482 and MIL-C-5015 connectors.

MIL-C-26482 INSERT ROTATION

Shell Size	Insert Arrangement	Insert Rotation			
		W	X	Y	Z
8	8-3	60	210	-	-
8	8-98	-	-	-	-
10	10-5	45	151	180	270
14	14-18	15	90	180	270
14	14-19	30	165	315	-
16	16-26	60	-	275	338
18	18-32	85	138	222	265
20	20-41	45	126	225	-
22	22-36	72	144	216	288
24	24-31	90	225	255	-
24	24-61	90	180	270	324



RELATIVE POSSIBLE POSITION
OF ROTATED INSERT
(front face of connector receptacle shown)
(MIL-C-26482 and MIL-C-5015)

MIL-26482 AND MIL-5015 CONNECTORS ALTERNATE ROTATION CROSS REFERENCE LETTERS

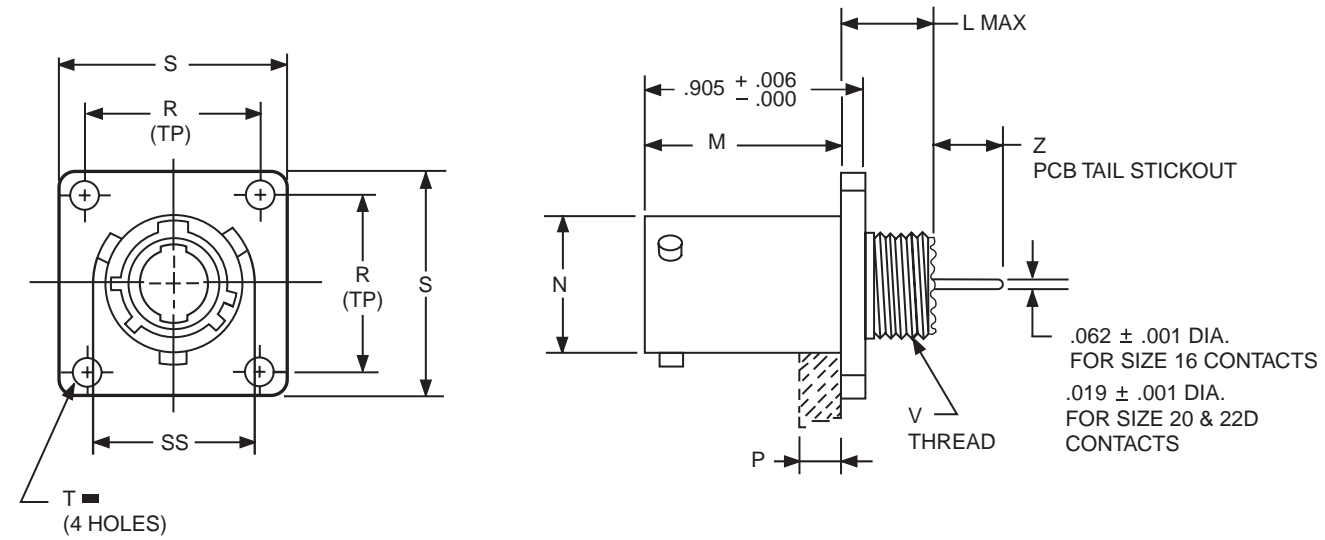
Pins in Alternate Rotations	Sockets in Alternate Rotations
PW = G	SW = H
PX = I	SX = J
PY = K	SY = L
PZ = M	SZ = N

Explanation:
Use P at end of part number for pin contacts in Normal position.
Use S at end of part number for socket contacts in Normal position.
Use cross reference letters given in chart above for inserts with alternate rotations.

MIL-5015 INSERT ROTATION

Shell Size	Insert Arrangement	Insert Rotation			
		W	X	Y	Z
10	10SL-3	-	-	-	-
14	14S-6	-	-	-	-
16	16S-1	80	-	-	280
18	18-1	70	145	215	290
20	20-11	-	-	-	-
22	22-14	80	110	250	280
24	24-28	80	110	250	280
28	28-15	80	110	250	280

MIL-DTL-38999 Series I Type Connectors with PCB contacts LJTPQ00R wall mounting receptacle (back panel mounting)



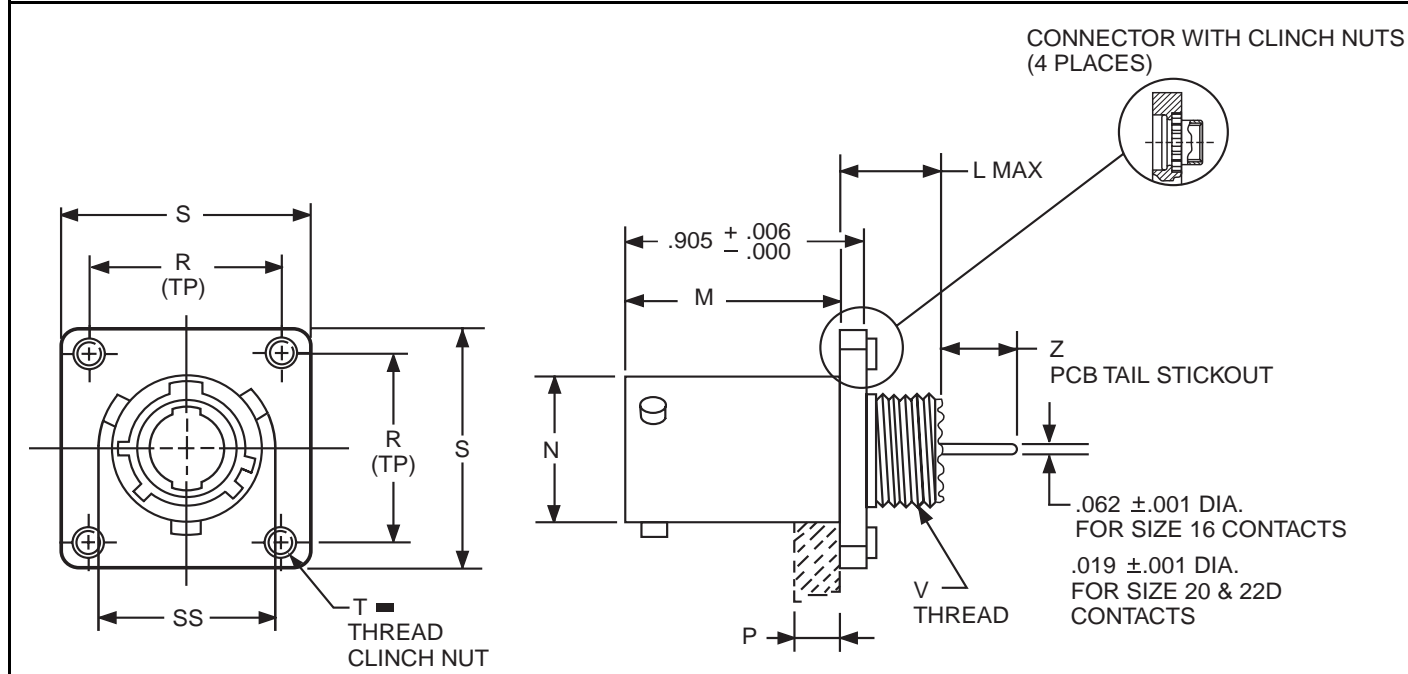
- HOW TO ORDER**
- Order by applicable 88/91 part number in table below.
88 prefix designates olive drab cadmium plated connector shell.
91 prefix designates electroless nickel plated connector shell.
 - Add insert arrangement to end of number. Refer to insert availability chart on page 4 and pin-out illustrations on pages 4-24. Last letter of part number designates rotation; P for pins in normal position, S for sockets in normal position. See page 25 for alternate rotation letter to use.
Example part number: 88-569701-35P designates shell size 9 with a 9-35 insert and pin contacts in normal position.
 - Z dimension is determined by contact type in the insert arrangement.
 - Most common options are shown; other options are available.

■ ⊕ .005 DIA (M)

Shell Size	Part Number	L Max.	M +.000 -.005	N Dia.	P Max. Panel Thickness	R (TP)	S +.011 -.010	T Dia. ±.005	V Thread Class 2A (Plated)	SS Dia. +.000 -.016	Z	
											Size 16 & 20 Contacts	Size 22D Contacts
9	88/91-569701-XXX	.453	.820	.572	.234	.719	.938	.128	.4375-28 UNEF	.662	.281 - .235	.249 - .188
11	702-XXX	.453	.820	.700	.234	.812	1.031	.128	.5625-24 UNEF	.810	.281 - .235	.249 - .188
13	703-XXX	.453	.820	.850	.234	.906	1.125	.128	.6875-24 UNEF	.960	.281 - .235	.249 - .188
15	704-XXX	.453	.820	.975	.234	.969	1.219	.128	.8125-20 UNEF	1.085	.281 - .235	.249 - .188
17	705-XXX	.453	.820	1.100	.234	1.062	1.312	.128	.9375-20 UNEF	1.210	.281 - .235	.249 - .188
19	706-XXX	.453	.820	1.207	.234	1.156	1.438	.128	1.0625-18 UNEF	1.317	.281 - .235	.249 - .188
21	707-XXX	.484	.790	1.332	.204	1.250	1.562	.128	1.1875-18 UNEF	1.442	.281 - .235	.249 - .188
23	708-XXX	.484	.790	1.457	.204	1.375	1.688	.147	1.3125-18 UNEF	1.567	.281 - .235	.249 - .188
25	709-XXX	.484	.790	1.582	.193	1.500	1.812	.147	1.4375-18 UNEF	1.692	.281 - .235	.249 - .188

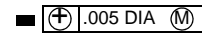
All dimensions for reference only.

MIL-DTL-38999 Series I Type Connectors with PCB contacts LJTPQ00R wall mounting receptacle (back panel mounting) (with clinch nuts)



HOW TO ORDER

- Order by applicable 88/91 part number in table below.
88 prefix designates olive drab cadmium plated connector shell.
91 prefix designates electroless nickel plated connector shell.
- Add insert arrangement to end of number. Refer to insert availability chart on page 4 and pin-out illustrations on pages 4-24. Last letter of part number designates rotation; P for pins in normal position, S for sockets in normal position. See page 25 for alternate rotation letter to use.
Example part number: 88-628701-35P designates shell size 9 with a 9-35 insert and pin contacts in normal position.
- Z dimension is determined by contact type in the insert arrangement.
- Most common options are shown; other options are available.

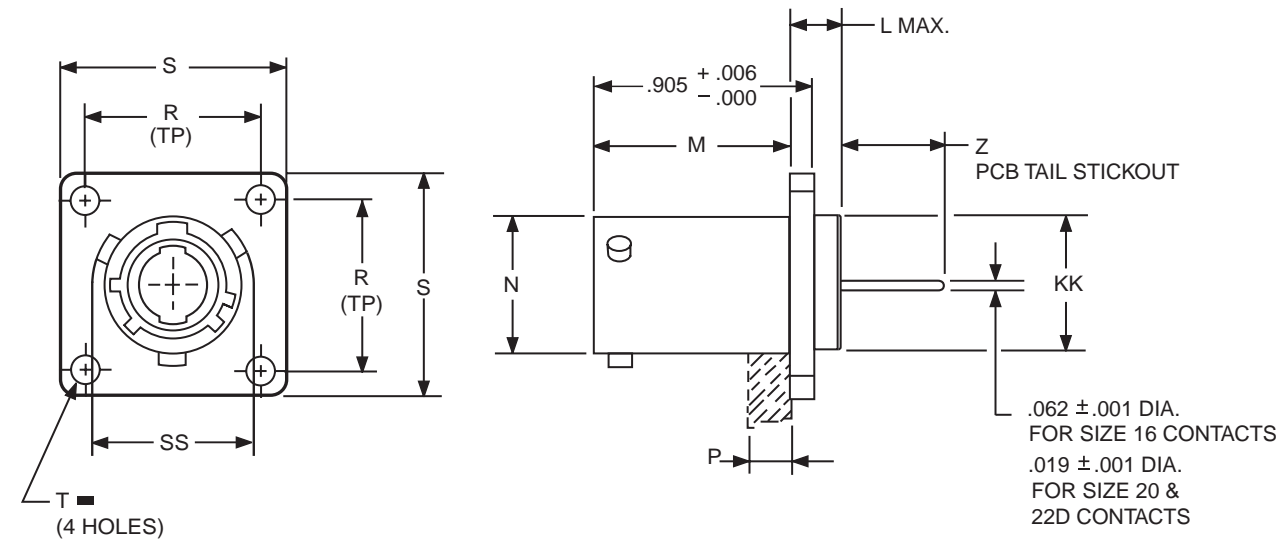


Shell Size	Part Number with Clinch Nuts*	L Max.	M +.000 - .005	N Dia.	P Max. Panel Thickness	R (TP)	S +.011 - .010	T Thread	V Thread Class 2A (Plated)	SS Dia. +.000 - .016	Z	
											Size 16 & 20 Contacts	Size 22D Contacts
9	88/91-628701-XXX	.453	.820	.572	.234	.719	.938	.112-40UNC-3B	.4375-28 UNEF	.662	.281 - .235	.249 - .188
11	702-XXX	.453	.820	.700	.234	.812	1.031	.112-40UNC-3B	.5625-24 UNEF	.810	.281 - .235	.249 - .188
13	703-XXX	.453	.820	.850	.234	.906	1.125	.112-40UNC-3B	.6875-24 UNEF	.960	.281 - .235	.249 - .188
15	704-XXX	.453	.820	.975	.234	.969	1.219	.112-40UNC-3B	.8125-20 UNEF	1.085	.281 - .235	.249 - .188
17	705-XXX	.453	.820	1.100	.234	1.062	1.312	.112-40UNC-3B	.9375-20 UNEF	1.210	.281 - .235	.249 - .188
19	706-XXX	.453	.820	1.207	.234	1.156	1.438	.112-40UNC-3B	1.0625-18 UNEF	1.317	.281 - .235	.249 - .188
21	707-XXX	.484	.790	1.332	.204	1.250	1.562	.112-40UNC-3B	1.1875-18 UNEF	1.442	.281 - .235	.249 - .188
23	708-XXX	.484	.790	1.457	.204	1.375	1.688	.138-32UNC-3B	1.3125-18 UNEF	1.567	.281 - .235	.249 - .188
25	709-XXX	.484	.790	1.582	.193	1.500	1.812	.138-32UNC-3B	1.4375-18 UNEF	1.692	.281 - .235	.249 - .188

All dimensions for reference only.

* Consult Amphenol for more information on ordering connectors with clinch nuts. There is also a 3mm clinch nut available (part number 88/91-628401/409)

MIL-DTL-38999 Series I Type Connectors with PCB contacts LJTP02R box mounting receptacle (back panel mounting)



HOW TO ORDER

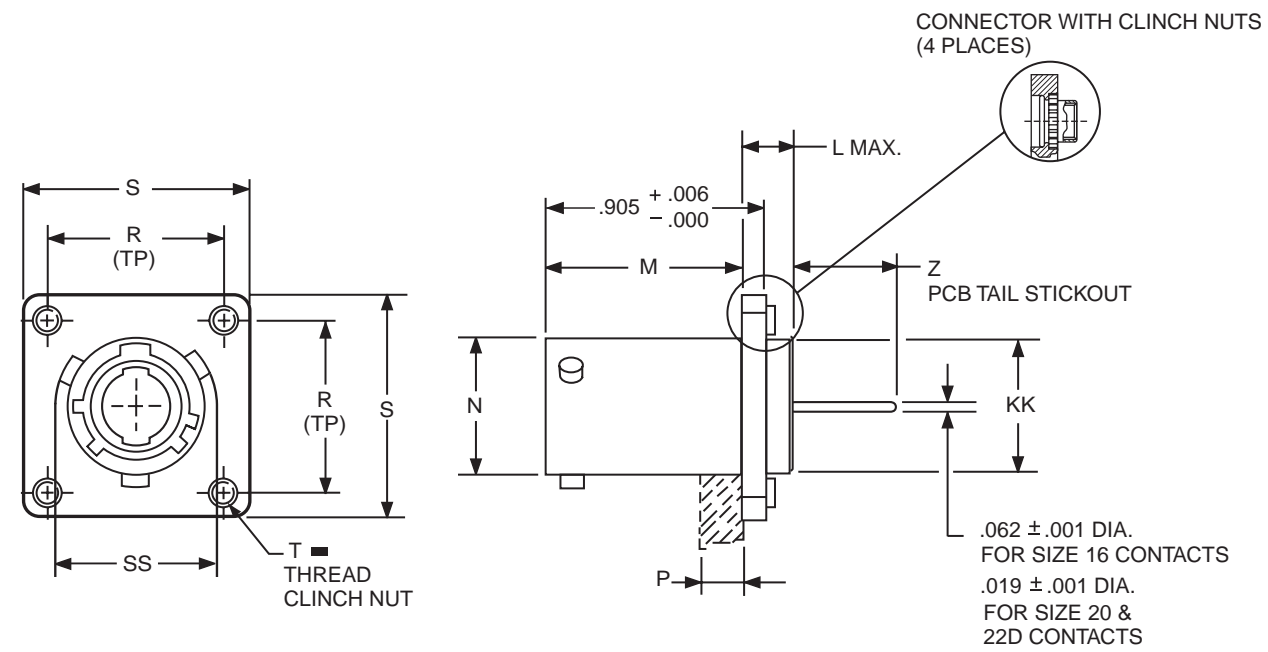
- Order by applicable 88/91 part number in table below.
88 prefix designates olive drab cadmium plated connector shell.
91 prefix designates electroless nickel plated connector shell.
- Add insert arrangement to end of number. Refer to insert availability chart on page 4 and pin-out illustrations on pages 4-24. Last letter of part number designates rotation; P for pins in normal position, S for sockets in normal position. See page 25 for alternate rotation letter to use.
Example part number: 88-569711-35P designates shell size 9 with a 9-35 insert and pin contacts in normal position.
- Z dimension is determined by contact type in the insert arrangement.
- Most common options are shown; other options are available.

■ ⊕ .005 DIA Ⓜ

Shell Size	Part Number	L Max.	M +.000 -.005	N +.001 -.005	P Max. Panel Thickness	R (TP)	S +.011 -.010	T ±.005	KK Dia. +.006 -.005	SS Dia. +.000 -.016	Z	
											Size 16 & 20 Contacts	Size 22D Contacts
9	88/91-569711-XXX	.203	.820	.572	.234	.719	.938	.128	.433	.662	.454 - .401	.468 - .406
11	712-XXX	.203	.820	.700	.234	.812	1.031	.128	.557	.810	.454 - .401	.468 - .406
13	713-XXX	.203	.820	.850	.234	.906	1.125	.128	.676	.960	.454 - .401	.468 - .406
15	714-XXX	.203	.820	.975	.234	.969	1.219	.128	.801	1.085	.454 - .401	.468 - .406
17	715-XXX	.203	.820	1.100	.234	1.062	1.312	.128	.926	1.210	.454 - .401	.468 - .406
19	716-XXX	.203	.820	1.207	.234	1.156	1.438	.128	1.032	1.317	.454 - .401	.468 - .406
21	717-XXX	.234	.790	1.332	.204	1.250	1.562	.128	1.157	1.442	.454 - .401	.468 - .406
23	718-XXX	.234	.790	1.457	.204	1.375	1.688	.147	1.282	1.567	.454 - .401	.468 - .406
25	719-XXX	.234	.790	1.582	.193	1.500	1.812	.147	1.407	1.692	.454 - .401	.468 - .406

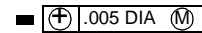
All dimensions for reference only.

MIL-DTL-38999 Series I Type Connectors with PCB contacts LJTP02R box mounting receptacle (back panel mounting) (with clinch nuts)



HOW TO ORDER

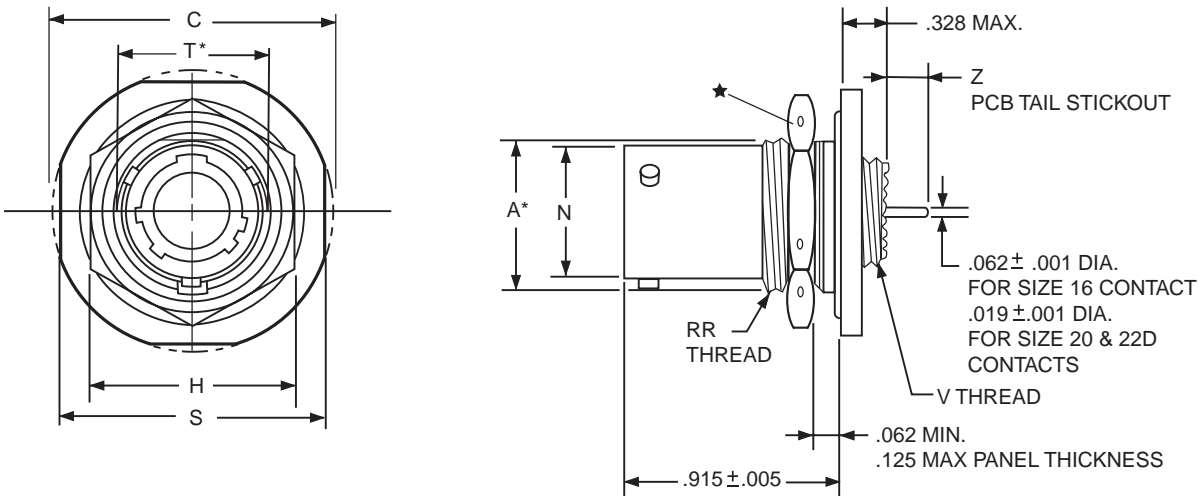
- Order by applicable 88/91 part number in table below.
88 prefix designates olive drab cadmium plated connector shell.
91 prefix designates electroless nickel plated connector shell.
- Add insert arrangement to end of number. Refer to insert availability chart on page 4 and pin-out illustrations on pages 5-24. Last letter of part number designates rotation; P for pins in normal position, S for sockets in normal position. See page 25 for alternate rotation letter to use.
Example part number: 88-628701-35P designates shell size 9 with a 9-35 insert and pin contacts in normal position.
- Z dimension is determined by contact type in the insert arrangement.
- Most common options are shown; other options are available.



Shell Size	Part Number with Clinch Nuts	L Max.	M +.000 - .005	N +.001 - .005	P Max. Panel Thickness	R (TP)	S +.011 - .010	T Thread	KK Dia. +.006 - .005	SS Dia. +.000 - .016	Z	
											Size 16 & 20 Contacts	Size 22D Contacts
9	88/91-628711-XXX	.203	.820	.572	.234	.719	1.031	.112-40UNJC-3B	.433	.662	.454 - .401	.468 - .406
11	712-XXX	.203	.820	.700	.234	.812	1.125	.112-40UNJC-3B	.557	.810	.454 - .401	.468 - .406
13	713-XXX	.203	.820	.850	.234	.906	1.172	.112-40UNJC-3B	.676	.960	.454 - .401	.468 - .406
15	714-XXX	.203	.820	.975	.234	.969	1.281	.112-40UNJC-3B	.801	1.085	.454 - .401	.468 - .406
17	715-XXX	.203	.820	1.100	.234	1.062	1.375	.112-40UNJC-3B	.926	1.210	.454 - .401	.468 - .406
19	716-XXX	.203	.820	1.207	.234	1.156	1.469	.112-40UNJC-3B	1.032	1.317	.454 - .401	.468 - .406
21	717-XXX	.234	.790	1.332	.204	1.250	1.625	.112-40UNJC-3B	1.157	1.442	.454 - .401	.468 - .406
23	718-XXX	.234	.790	1.457	.204	1.375	1.750	.138-32UNJC-3B	1.282	1.567	.454 - .401	.468 - .406
25	719-XXX	.234	.790	1.582	.193	1.500	1.875	.138-32UNJC-3B	1.407	1.692	.454 - .401	.468 - .406

All dimensions for reference only.
* Consult Amphenol for more information on ordering connectors with clinch nuts. There is also a 3mm clinch nut available (part number 88/91-628410/419)

MIL-DTL-38999 Series I Type Connectors with PCB contacts LJT07R jam nut receptacle



HOW TO ORDER

- Order by applicable 88/91 part number in table below.
88 prefix designates olive drab cadmium plated connector shell.
91 prefix designates electroless nickel plated connector shell.
- Add insert arrangement to end of number. Refer to insert availability chart on page 4 and pin-out illustrations on pages 4-24. Last letter of part number designates rotation; P for pins in normal position, S for sockets in normal position. See page 25 for alternate rotation letter to use.
Example part number: 88-569721-35P designates shell size 9 with a 9-35 insert and pin contacts in normal position.
- Z dimension is determined by contact type in the insert arrangement.
- Most common options are shown; other options are available.

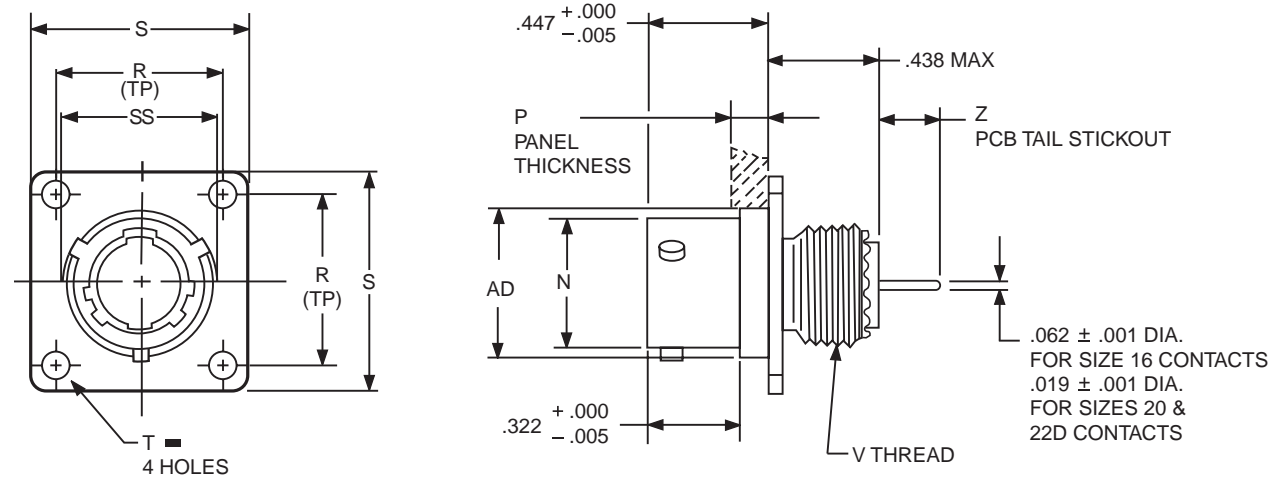
- ★ .059 dia. min. 3 lockwire holes.
Formed lockwire hole design (6 holes) is optional.
- "D" shaped mounting hole dimensions

Shell Size	Part Number	A* +.000 -.010	C Max.	H Hex +.017 -.016	L Max.	N +.001 -.005	S ±.016	T* +.010 -.000	V Thread Class 2A (Plated)	RR Thread Class 2A (Plated)	Z	
											Size 16 & 20 Contacts	Size 22D Contacts
9	88/91-569721-XXX	.669	1.199	.875	.625	.572	1.062	.697	.4375-28 UNEF	.6875-24 UNEF	.229 - .175	.243 - .182
11	722-XXX	.769	1.386	1.000	.625	.700	1.250	.822	.5625-24 UNEF	.8125-20 UNEF	.229 - .175	.243 - .182
13	723-XXX	.955	1.511	1.188	.625	.850	1.375	1.007	.6875-24 UNEF	1.0000-20 UNEF	.229 - .175	.243 - .182
15	724-XXX	1.084	1.636	1.312	.625	.975	1.500	1.134	.8125-20 UNEF	1.1250-18 UNEF	.229 - .175	.243 - .182
17	725-XXX	1.208	1.761	1.438	.625	1.100	1.625	1.259	.9375-20 UNEF	1.2500-18 UNEF	.229 - .175	.243 - .182
19	726-XXX	1.333	1.949	1.562	.656	1.207	1.812	1.384	1.0625-18 UNEF	1.3750-18 UNEF	.207 - .158	.221 - .165
21	727-XXX	1.459	2.073	1.688	.750	1.332	1.938	1.507	1.1875-18 UNEF	1.5000-18 UNEF	.207 - .158	.221 - .165
23	728-XXX	1.580	2.199	1.812	.750	1.457	2.062	1.634	1.3125-18 UNEF	1.6250-18 UNEF	.207 - .158	.221 - .165
25	729-XXX	1.709	2.323	2.000	.750	1.582	2.188	1.759	1.4375-18 UNEF	1.7500-18 UNS	.207 - .158	.221 - .165

All dimensions for reference only.

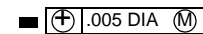
MIL-DTL-38999 Series II Type Connectors with PCB contacts

JTPQ00R wall mounting receptacle (back panel mounting)



HOW TO ORDER

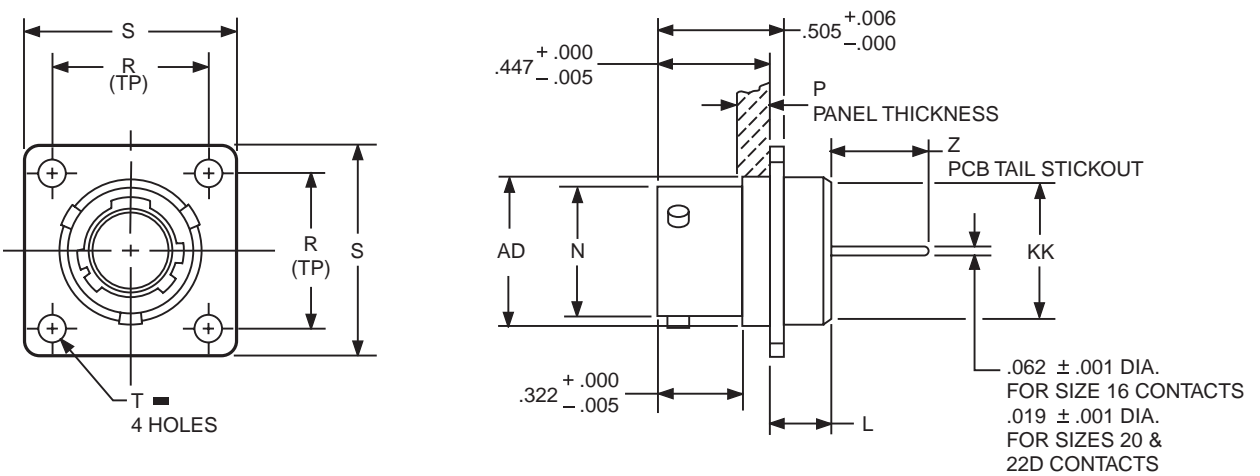
- Order by applicable 88/91 part number in table below.
88 prefix designates olive drab cadmium plated connector shell.
91 prefix designates electroless nickel plated connector shell.
- Add insert arrangement to end of number. Refer to insert availability chart on page 4 and pin-out illustrations on pages 4-24. Last letter of part number designates rotation; P for pins in normal position, S for sockets in normal position. See page 25 for alternate rotation letter to use.
Example part number: 88-569731-35P designates shell size 8 with a 8-35 insert and pin contacts in normal position.
- Z dimension is determined by contact type in the insert arrangement.
- Most common options are shown; other options are available.



Shell Size	Part Number	N +.001 -.005	P Max. Panel Thickness	R (TP)	S ±.016	T Dia. ±.005	V Thread Class 2A (Plated)	AD Dia. ±.005	SS Dia. +.000 -.016	Z	
										Size 16 & 20 Contacts	Size 22D Contacts
8	88/91-569731-XXX	.473	.142	.594	.812	.120	.4375-28 UNEF	.516	.563	.257 - .200	.268 - .178
10	732-XXX	.590	.142	.719	.938	.120	.5625-24 UNEF	.633	.680	.257 - .200	.268 - .178
12	733-XXX	.750	.142	.812	1.031	.120	.6875-24 UNEF	.802	.859	.257 - .200	.268 - .178
14	734-XXX	.875	.142	.906	1.125	.120	.8125-20 UNEF	.927	.984	.257 - .200	.268 - .178
16	735-XXX	1.000	.142	.969	1.219	.120	.9375-20 UNEF	1.052	1.108	.257 - .200	.268 - .178
18	736-XXX	1.125	.142	1.062	1.312	.120	1.0625-18 UNEF	1.177	1.233	.257 - .200	.268 - .178
20	737-XXX	1.250	.142	1.156	1.438	.120	1.1875-18 UNEF	1.302	1.358	.257 - .200	.268 - .178
22	738-XXX	1.375	.142	1.250	1.562	.120	1.3125-18 UNEF	1.427	1.483	.257 - .200	.268 - .178
24	739-XXX	1.500	.142	1.375	1.688	.147	1.4375-18 UNEF	1.552	1.610	.257 - .200	.268 - .178

All dimensions for reference only.

MIL-DTL-38999 Series II Type Connectors with PCB contacts JTP02R box mounting receptacle (back panel mounting)



HOW TO ORDER

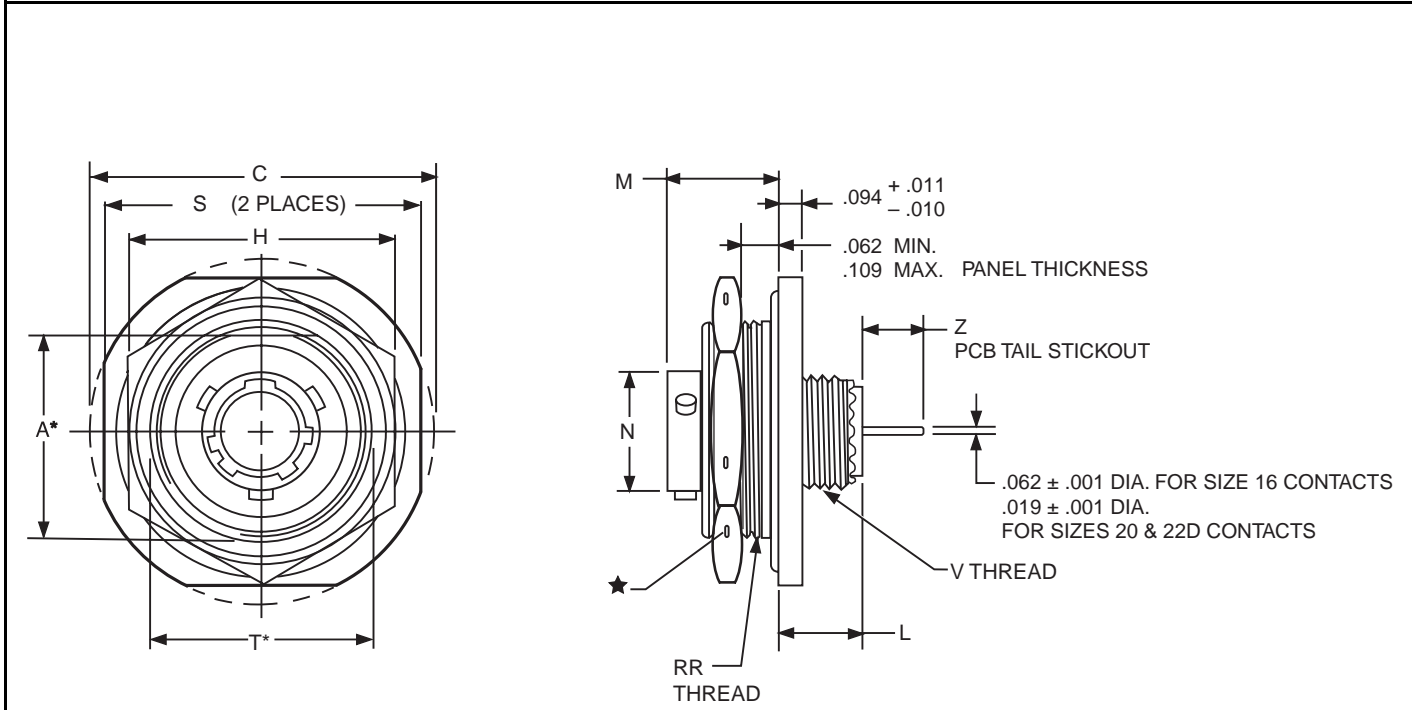
- Order by applicable 88/91 part number in table below.
88 prefix designates olive drab cadmium plated connector shell.
91 prefix designates electroless nickel plated connector shell.
- Add insert arrangement to end of number. Refer to insert availability chart on page 4 and pin-out illustrations on pages 4-24. Last letter of part number designates rotation; P for pins in normal position, S for sockets in normal position. See page 25 for alternate rotation letter to use.
Example part number: 88-569741-35P designates shell size 8 with a 8-35 insert and pin contacts in normal position.
- Z dimension is determined by contact type in the insert arrangement.
- Most common options are shown; other options are available.

■ (M) .005 DIA (M)

Shell Size	Part Number	L Max.	N +.001 - .005	P Max. Panel Thickness	R (TP)	S ±.016	T Dia. ±.005	AD Dia. ±.005	KK Dia. Max.	Z	
										Size 16 & 20 Contacts	Size 22D Contacts
8	88/91-569741-XXX	.225	.473	.147	.594	.812	.120	.516	.531	.455 - .403	.466 - .409
10	742-XXX	.225	.590	.152	.719	.938	.120	.633	.656	.455 - .403	.466 - .409
12	743-XXX	.225	.750	.152	.812	1.031	.120	.802	.828	.455 - .403	.466 - .409
14	744-XXX	.225	.875	.152	.906	1.125	.120	.927	.953	.455 - .403	.466 - .409
16	745-XXX	.225	1.000	.152	.969	1.219	.120	1.052	1.078	.455 - .403	.466 - .409
18	746-XXX	.225	1.125	.152	1.062	1.312	.120	1.177	1.203	.455 - .403	.466 - .409
20	747-XXX	.225	1.250	.179	1.156	1.438	.120	1.302	1.328	.455 - .403	.466 - .409
22	748-XXX	.225	1.375	.179	1.250	1.562	.120	1.427	1.453	.455 - .403	.466 - .409
24	749-XXX	.225	1.500	.169	1.375	1.688	.147	1.552	1.578	.455 - .403	.466 - .409

All dimensions for reference only.

MIL-DTL-38999 Series II Type Connectors with PCB contacts JT07R jam nut receptacle



HOW TO ORDER

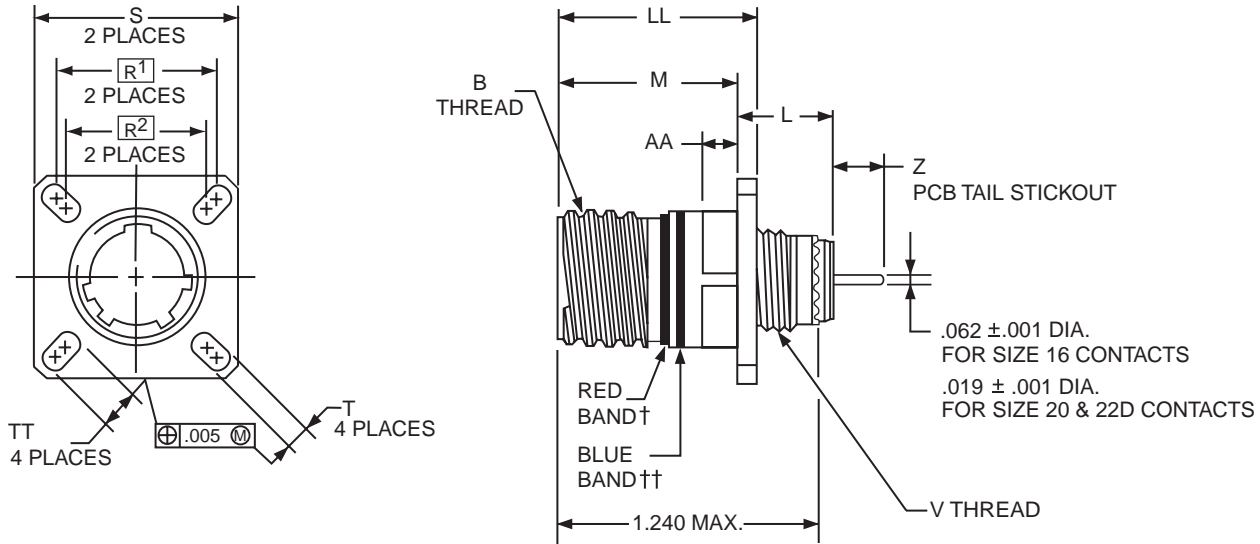
- Order by applicable 88/91 part number in table below.
88 prefix designates olive drab cadmium plated connector shell.
91 prefix designates electroless nickel plated connector shell.
- Add insert arrangement to end of number. Refer to insert availability chart on page 4 and pin-out illustrations on pages 4-24. Last letter of part number designates rotation; P for pins in normal position, S for sockets in normal position. See page 25 for alternate rotation letter to use.
Example part number: 88-569751-35P designates shell size 8 with a 8-35 insert and pin contacts in normal position.
- Z dimension is determined by contact type in the insert arrangement.
- Most common options are shown; other options are available.

- ★ .059 dia. min. 3 lockwire holes.
Formed lockwire hole design (6 holes) is optional.
- "D" shaped mounting hole dimensions

Shell Size	Part Number	A* +.000 -.010	C Max.	H Hex +.017 -.016	L Max.	M ±.005	N +.001 -.005	S ±.016	T* +.010 -.000	V Thread Class 2A (Plated)	RR Thread Class 2A (Plated)	Z	
												Size 16 & 20 Contacts	Size 22D Contacts
8	88/91-569751-XXX	.830	1.390	1.062	.453	.438	.473	1.250	.884	.4375-28 UNEF	.8750-20 UNEF	.272 - .200	.283 - .178
10	752-XXX	.955	1.515	1.188	.453	.438	.590	1.375	1.007	.5625-24 UNEF	1.0000-20 UNEF	.272 - .200	.283 - .178
12	753-XXX	1.084	1.640	1.312	.453	.438	.750	1.500	1.134	.6875-24 UNEF	1.1250-18 UNEF	.272 - .200	.283 - .178
14	754-XXX	1.208	1.765	1.438	.453	.438	.875	1.625	1.259	.8125-20 UNEF	1.2500-18 UNEF	.272 - .200	.283 - .178
16	755-XXX	1.333	1.953	1.562	.453	.438	1.000	1.781	1.384	.9375-20 UNEF	1.3750-18 UNEF	.272 - .200	.283 - .178
18	756-XXX	1.459	2.031	1.688	.453	.438	1.125	1.890	1.507	1.0625-18 UNEF	1.5000-18 UNEF	.272 - .200	.283 - .178
20	757-XXX	1.576	2.156	1.812	.422	.464	1.250	2.016	1.634	1.1875-18 UNEF	1.6250-18 UNEF	.272 - .200	.283 - .178
22	758-XXX	1.701	2.280	2.000	.422	.464	1.375	2.140	1.759	1.3125-18 UNEF	1.7500-18 UNS	.272 - .200	.283 - .178
24	759-XXX	1.826	2.405	2.125	.422	.464	1.500	2.265	1.884	1.4375-18 UNEF	1.8750-16 UN	.272 - .200	.283 - .178

All dimensions for reference only.

MIL-DTL-38999 Series III Type Connectors with PCB contacts TVP00R wall mounting receptacle (back panel mounting)



HOW TO ORDER

- Order by applicable 88/91 part number in table below.
88 prefix designates olive drab cadmium plated connector shell.
91 prefix designates electroless nickel plated connector shell.
- Add insert arrangement to end of number. Refer to insert availability chart on page 4 and pin-out illustrations on pages 4-24. Last letter of part number designates rotation; P for pins in normal position, S for sockets in normal position. See page 25 for alternate rotation letter to use.
Example part number: 88-569761-35P designates shell size 9 with a 9-35 insert and pin contacts in normal position.
- Z dimension is determined by contact type in the insert arrangement.
- Most common options are shown; other options are available.

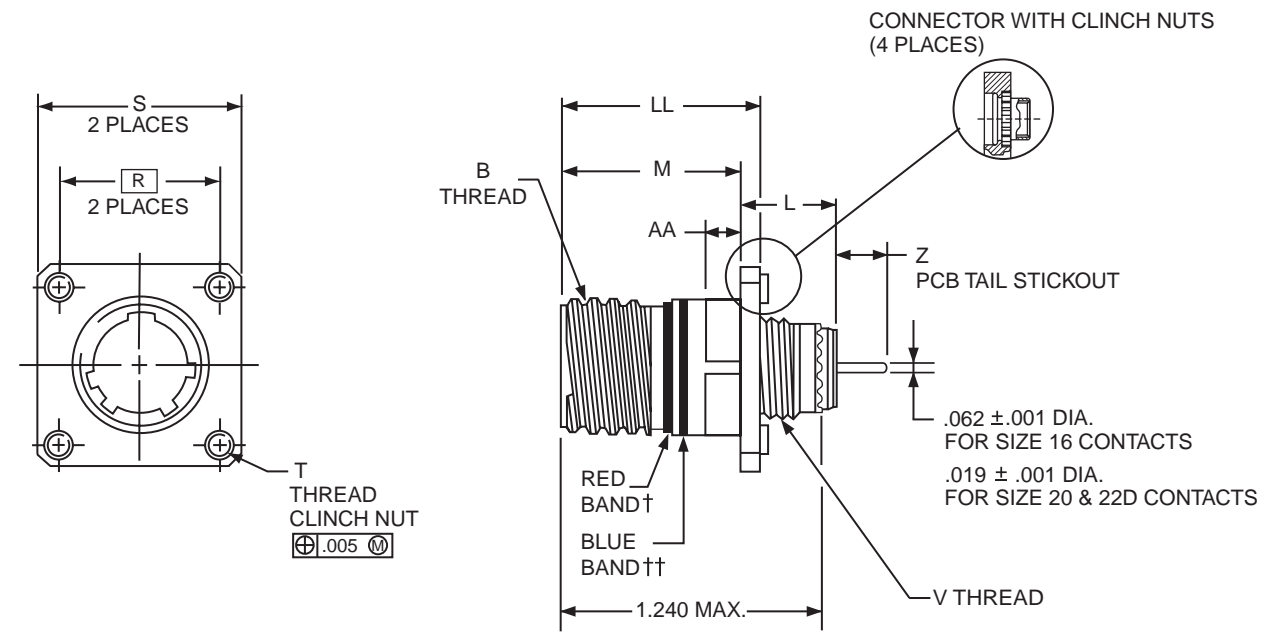
Composite Series III connectors are available; consult Amphenol, Sidney, NY.

- Designates true position dimensioning
- † Red band indicates fully mated
- †† Blue band indicates rear release contact retention system

Shell Size	Part Number	B Thread Class 2A (Plated) 0.1P-0.3L-TS	L Max.	M +.000 - .005	R1	R2	S Max.	T +.008 - .006	V Thread Metric	AA Max. Panel Thickness	LL +.006 - .000	TT +.008 - .006	Z	
													Size 16 & 20 Contacts	Size 22D Contacts
9	88/91-569761-XXX	.6250	.469	.820	.719	.594	.948	.128	M12X1-6g	.234	.905	.216	.228-.178	.242-.181
11	762-XXX	.7500	.469	.820	.812	.719	1.043	.128	M15X1-6g	.234	.905	.194	.228-.178	.242-.181
13	763-XXX	.8750	.469	.820	.906	.812	1.137	.128	M18X1-6g	.234	.905	.194	.228-.178	.242-.181
15	764-XXX	1.0000	.469	.820	.969	.906	1.232	.128	M22X1-6g	.234	.905	.173	.228-.178	.242-.181
17	765-XXX	1.1875	.469	.820	1.062	.969	1.323	.128	M25X1-6g	.234	.905	.194	.228-.178	.242-.181
19	766-XXX	1.2500	.469	.820	1.156	1.062	1.449	.128	M28X1-6g	.234	.905	.194	.228-.178	.242-.181
21	767-XXX	1.3750	.500	.790	1.250	1.156	1.575	.128	M31X1-6g	.204	.905	.194	.228-.178	.242-.181
23	768-XXX	1.5000	.500	.790	1.375	1.250	1.701	.154	M34X1-6g	.204	.905	.242	.228-.178	.242-.181
25	769-XXX	1.6250	.500	.790	1.500	1.375	1.823	.154	M37X1-6g	.204	.905	.242	.228-.178	.242-.181

All dimensions for reference only.

MIL-DTL-38999 Series III Type Connectors with PCB contacts TVP00R wall mounting receptacle (back panel mounting) (with clinch nuts)



HOW TO ORDER

- Order by applicable 88/91 part number in table below.
 - 88 prefix designates olive drab cadmium plated connector shell.
 - 91 prefix designates electroless nickel plated connector shell.
- Add insert arrangement to end of number. Refer to insert availability chart on page 4 and pin-out illustrations on pages 4-24. Last letter of part number designates rotation; P for pins in normal position, S for sockets in normal position. See page 25 for alternate rotation letter to use.
 - Example part number: 88-628741-35P designates shell size 9 with a 9-35 insert and pin contacts in normal position.
- Z dimension is determined by contact type in the insert arrangement.
- Most common options are shown; other options are available.

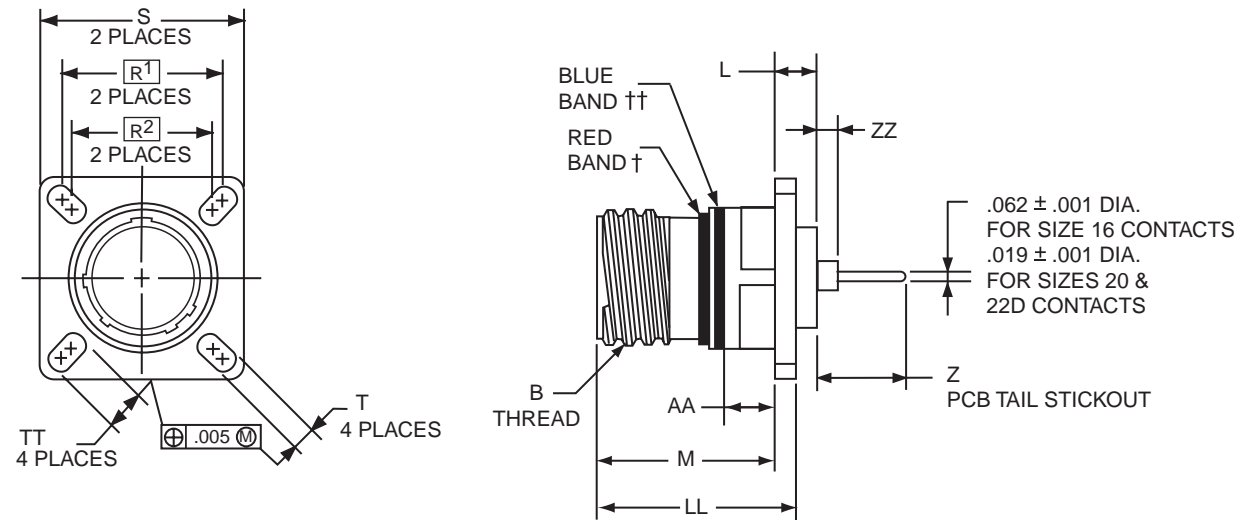
Composite Series III connectors are available; consult Amphenol, Sidney, NY.

- Designates true position dimensioning
- † Red band indicates fully mated
- †† Blue band indicates rear release contact retention system

Shell Size	Part Number with Clinch Nuts	B Thread Class 2A (Plated) 0.1P-0.3L-TS	L Max.	M +.000 --.005	R	S Max.	T Thread	V Thread Metric	AA Max. Panel Thickness	LL +.006 --.000	Z	
											Size 16 & 20 Contacts	Size 22D Contacts
9	88/91-628741-XXX	.6250	.469	.820	.719	1.094	.112-40UNC-3B	M12X1-6g	.234	.905	.228-.178	.242-.181
11	742-XXX	.7500	.469	.820	.812	1.187	.112-40UNC-3B	M15X1-6g	.234	.905	.228-.178	.242-.181
13	743-XXX	.8750	.469	.820	.906	1.281	.112-40UNC-3B	M18X1-6g	.234	.905	.228-.178	.242-.181
15	744-XXX	1.0000	.469	.820	.969	1.344	.112-40UNC-3B	M22X1-6g	.234	.905	.228-.178	.242-.181
17	745-XXX	1.1875	.469	.820	1.062	1.437	.112-40UNC-3B	M25X1-6g	.234	.905	.228-.178	.242-.181
19	746-XXX	1.2500	.469	.820	1.156	1.531	.112-40UNC-3B	M28X1-6g	.234	.905	.228-.178	.242-.181
21	747-XXX	1.3750	.500	.790	1.250	1.625	.112-40UNC-3B	M31X1-6g	.204	.905	.228-.178	.242-.181
23	748-XXX	1.5000	.500	.790	1.375	1.750	.138-32UNC-3B	M34X1-6g	.204	.905	.228-.178	.242-.181
25	749-XXX	1.6250	.500	.790	1.500	1.875	.138-32UNC-3B	M37X1-6g	.204	.905	.228-.178	.242-.181

All dimensions for reference only.
* Consult Amphenol for more information on ordering connectors with clinch nuts.

MIL-DTL-38999 Series III Type Connectors with PCB contacts TVP02R box mounting receptacle



HOW TO ORDER

- Order by applicable 88/91 part number in table below.
88 prefix designates olive drab cadmium plated connector shell.
91 prefix designates electroless nickel plated connector shell.
- Add insert arrangement to end of number. Refer to insert availability chart on page 4 and pin-out illustrations on pages 4-24. Last letter of part number designates rotation; P for pins in normal position, S for sockets in normal position. See page 25 for alternate rotation letter to use.
Example part number: 88-569771-35P designates shell size 9 with a 9-35 insert and pin contacts in normal position.
- Z dimension is determined by contact type in the insert arrangement.
- Most common options are shown; other options are available.

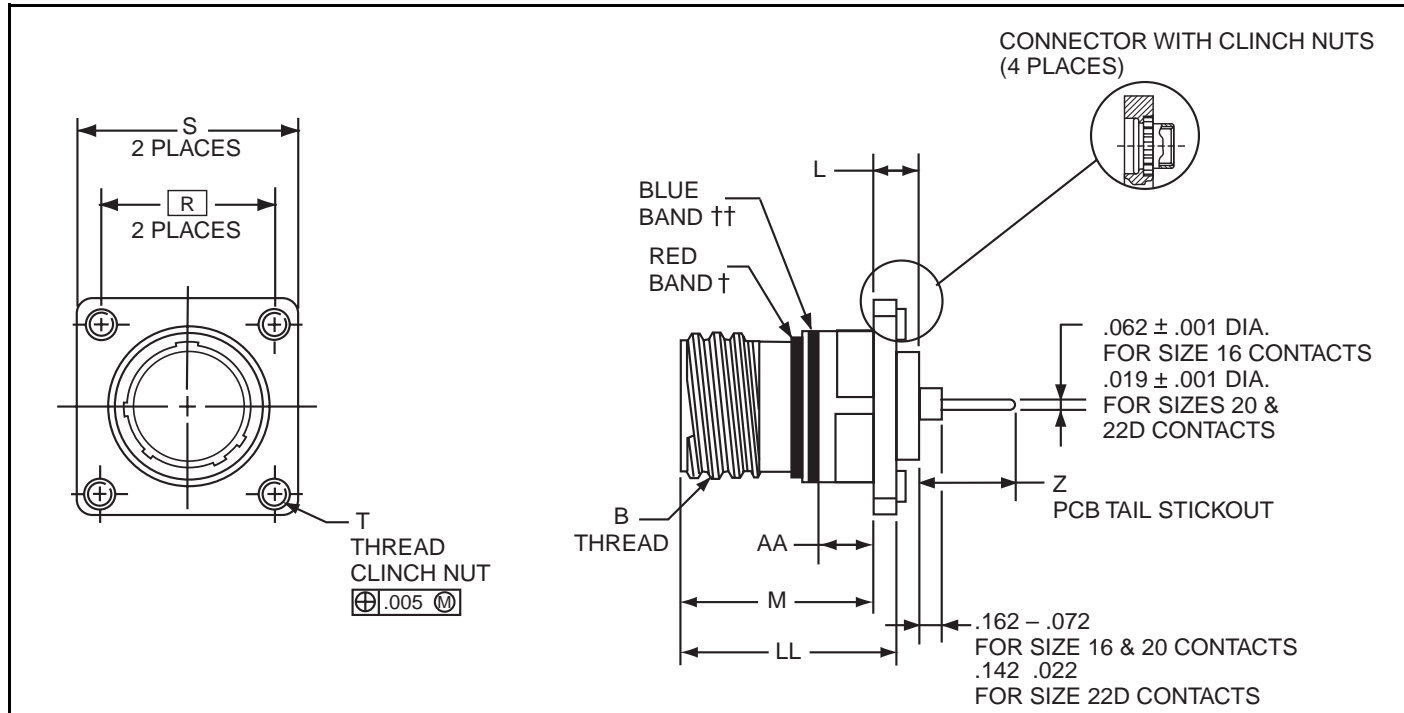
Composite Series III connectors are available; consult Amphenol, Sidney, NY.

- Designates true position dimensioning
- † Red band indicates fully mated
- †† Blue band indicates rear release contact retention system

Shell Size	Part Number	B Thread Class 2A (Plated) 0.1P-0.3L-TS	L Max.	M +.000 - .005	R1	R2	S Max.	T +.008 - .006	AA Max. Panel Thickness	LL +.006 - .000	TT +.008 - .006	Z	
												Size 16 & 20 Contacts	Size 22D Contacts
9	88/91-569771-XXX	.6250	.205	.820	.719	.594	.948	.128	.234	.905	.216	.460-.375	.471-.399
11	772-XXX	.7500	.205	.820	.812	.719	1.043	.128	.234	.905	.194	.460-.375	.471-.399
13	773-XXX	.8750	.205	.820	.906	.812	1.137	.128	.234	.905	.194	.460-.375	.471-.399
15	774-XXX	1.0000	.205	.820	.969	.906	1.232	.128	.234	.905	.173	.460-.375	.471-.399
17	775-XXX	1.1875	.205	.820	1.062	.969	1.323	.128	.234	.905	.194	.460-.375	.471-.399
19	776-XXX	1.2500	.205	.820	1.156	1.062	1.449	.128	.234	.905	.194	.460-.375	.471-.399
21	777-XXX	1.3750	.235	.790	1.250	1.156	1.575	.128	.204	.905	.194	.460-.375	.471-.399
23	778-XXX	1.5000	.235	.790	1.375	1.250	1.701	.154	.204	.905	.242	.460-.375	.471-.399
25	779-XXX	1.6250	.235	.790	1.500	1.375	1.823	.154	.204	.905	.242	.460-.375	.471-.399

All dimensions for reference only.

MIL-DTL-38999 Series III Type Connectors with PCB contacts TVP02R box mounting receptacle (with clinch nuts)



HOW TO ORDER

- Order by applicable 88/91 part number in table below.
88 prefix designates olive drab cadmium plated connector shell.
91 prefix designates electroless nickel plated connector shell.
- Add insert arrangement to end of number. Refer to insert availability chart on page 4 and pin-out illustrations on pages 4-24. Last letter of part number designates rotation; P for pins in normal position, S for sockets in normal position. See page 25 for alternate rotation letter to use.
Example part number: 88-628751-35P designates shell size 9 with a 9-35 insert and pin contacts in normal position.
- Z dimension is determined by contact type in the insert arrangement.
- Most common options are shown; other options are available.

Composite Series III connectors are available;
consult Amphenol, Sidney, NY.

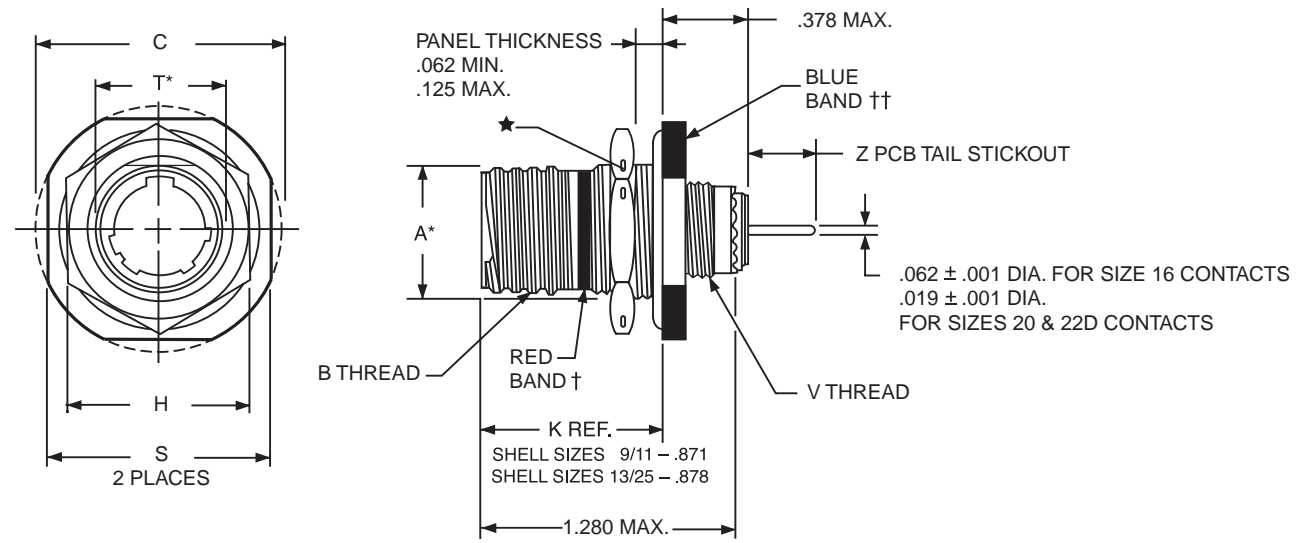
- Designates true position dimensioning
- † Red band indicates fully mated
- †† Blue band indicates rear release contact retention system

Shell Size	Part Number with Clinch Nuts	B Thread Class 2A (Plated) 0.1P-0.3L-TS	L Max.	M +.000 -0.005	R	S Max.	T Thread	AA Max. Panel Thickness	LL +.006 -0.000	Z	
										Size 16 & 20 Contacts	Size 22D Contacts
9	88/91-628751-XXX	.6250	.205	.820	.719	1.031	.112-40UNC-3B	.234	.905	.460-.375	.471-.399
11	752-XXX	.7500	.205	.820	.812	1.125	.112-40UNC-3B	.234	.905	.460-.375	.471-.399
13	753-XXX	.8750	.205	.820	.906	1.172	.112-40UNC-3B	.234	.905	.460-.375	.471-.399
15	754-XXX	1.0000	.205	.820	.969	1.281	.112-40UNC-3B	.234	.905	.460-.375	.471-.399
17	755-XXX	1.1875	.205	.820	1.062	1.375	.112-40UNC-3B	.234	.905	.460-.375	.471-.399
19	756-XXX	1.2500	.205	.820	1.156	1.469	.112-40UNC-3B	.234	.905	.460-.375	.471-.399
21	757-XXX	1.3750	.235	.790	1.250	1.562	.112-40UNC-3B	.204	.905	.460-.375	.471-.399
23	758-XXX	1.5000	.235	.790	1.375	1.750	.138-32UNC-3B	.204	.905	.460-.375	.471-.399
25	759-XXX	1.6250	.235	.790	1.500	1.875	.138-32UNC-3B	.204	.905	.460-.375	.471-.399

All dimensions for reference only.

* Consult Amphenol for more information on ordering connectors with clinch nuts.

MIL-DTL-38999 Series III Type Connectors with PCB contacts TV07R jam nut receptacle



HOW TO ORDER

- Order by applicable 88/91 part number in table below.
88 prefix designates olive drab cadmium plated connector shell.
91 prefix designates electroless nickel plated connector shell.
- Add insert arrangement to end of number. Refer to insert availability chart on page 4 and pin-out illustrations on pages 4-24. Last letter of part number designates rotation; P for pins in normal position, S for sockets in normal position. See page 25 for alternate rotation letter to use.
Example part number: 88-569781-35P designates shell size 9 with a 9-35 insert and pin contacts in normal position.
- Z dimension is determined by contact type in the insert arrangement.
- Most common options are shown; other options are available.

Composite Series III connectors are available; consult Amphenol, Sidney, NY.
† Red band indicates fully mated
†† Blue band indicates rear release contact retention system
★ .059 dia. min. 3 lockwire holes.
Formed lockwire hole design (6 holes) is optional.
* "D" shaped mounting hole dimensions

Shell Size	Part Number	A* +.000 -.000	B Thread Class 2A (Plated) 0.1P-0.3L-TS	C Max.	H Hex +.017 -.016	S ±.010	T +.010 -.000	V Thread Metric	Z	
									Size 16 & 20 Contacts	Size 22D Contacts
9	88/91-569781-XXX	.669	.6250	1.199	.875	1.062	.697	M12X1-6g	.244 - .200	.258 - .206
11	782-XXX	.769	.7500	1.386	1.000	1.250	.822	M15X1-6g	.244 - .200	.258 - .206
13	783-XXX	.955	.8750	1.511	1.188	1.375	1.007	M18X1-6g	.244 - .200	.258 - .206
15	784-XXX	1.084	1.0000	1.636	1.312	1.500	1.134	M22X1-6g	.244 - .200	.258 - .206
17	785-XXX	1.208	1.1875	1.761	1.438	1.625	1.259	M25X1-6g	.244 - .200	.258 - .206
19	786-XXX	1.333	1.2500	1.949	1.562	1.812	1.384	M28X1-6g	.222 - .177	.236 - .180
21	787-XXX	1.459	1.3750	2.073	1.688	1.938	1.507	M31X1-6g	.222 - .177	.236 - .180
23	788-XXX	1.575	1.5000	2.199	1.812	2.062	1.634	M34X1-6g	.222 - .177	.236 - .180
25	789-XXX	1.709	1.6250	2.323	2.000	2.188	1.759	M37X1-6g	.222 - .177	.236 - .180

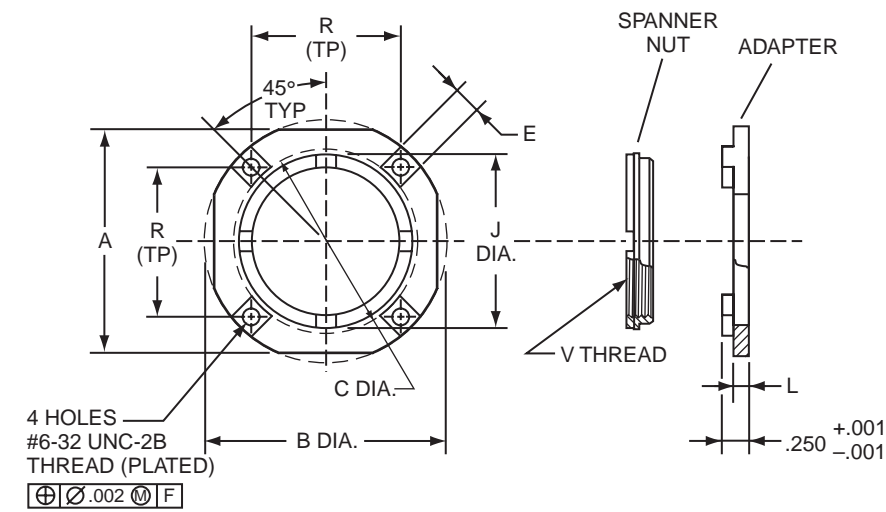
All dimensions for reference only.

Stand-off Adapter for use with 38999 PCB connectors

Amphenol's stand-off adapter and spanner nut assembly allows any MIL-DTL-38999 jam nut receptacle to support PCB contacts and may eliminate the need for special stand-off shell design. Consult Amphenol for more information.



Tri-Start MIL-DTL-38999 Jam Nut Connector with Stand-off Adapter

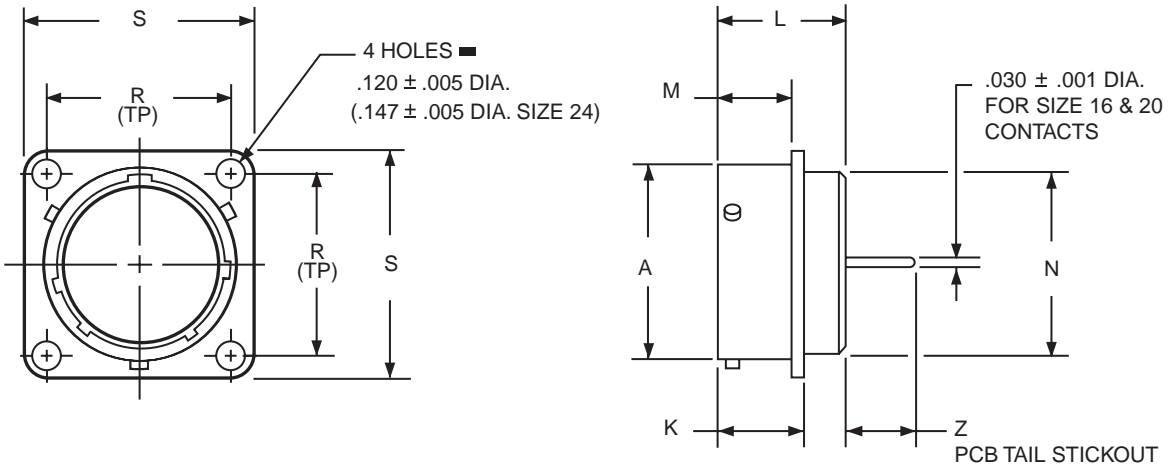


HOW TO ORDER
Order by

Shell Size	Part Number	A ±.003	B Dia. ±.003	C Dia.	E	J Dia.	L	V Thread Metric Plated
9	XP10-611901-09G	1.062	1.188	.750	.200	.625	.150	M12X1-6H
11	XP10-611901-11G	1.250	1.375	.900	.200	.744	.150	M15X1-6H
13	XP10-611901-13G	1.375	1.500	.975		.862		M18X1-6H
15	XP10-611901-15G	1.500	1.625	1.125		1.019		M22X1-6H
17	XP10-611901-17G	1.625	1.750	1.250		1.137		M25X1-6H
19	XP10-611901-19G	1.812	1.938	1.375		1.255		M28X1-6H
21	XP10-611901-21G	1.938	2.062	1.469		1.373		M31X1-6H
23	XP10-611901-23G	2.062	2.188	1.625		1.492		M34X1-6H
25	XP10-611901-25G	2.188	2.312	1.750		1.610		M37X1-6H

All dimensions for reference only.

MIL-C-26482 Series 1 Type Connectors with PCB contacts PT02 box mounting receptacle



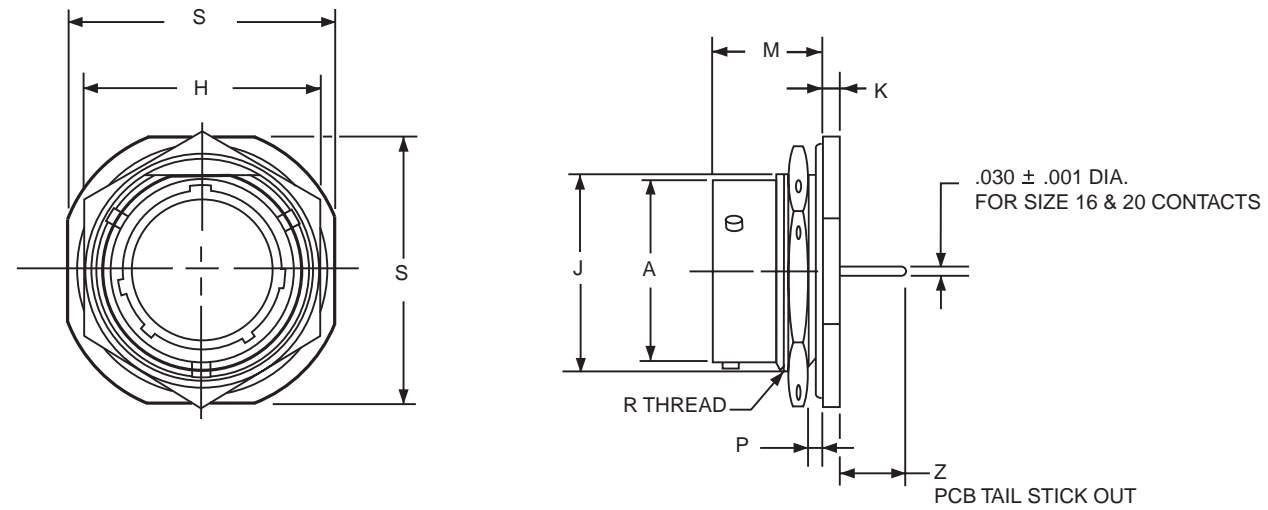
HOW TO ORDER

- Order by applicable 71 part number in table below.
71 prefix designates olive drab cadmium plated connector shell.
(For availability of other finishes consult Amphenol, Sidney, NY)
- Add insert arrangement to end of number. Refer to insert availability chart on page 4 and pin-out illustrations on pages 4-24. Last letter of part number designates rotation; P for pins in normal position, S for sockets in normal position. See page 26 for alternate rotation letter to use.
Example part number: 71-570121-98P designates shell size 8 with a 8-98 insert and pin contacts in normal position.
- Z dimension is determined by contact type in the insert arrangement.
- Most common options are shown; other options are available. ■ (MMC) located within .0025 of (TP)

Shell Size	Part Number	A +.001 -.005	K +.021 -.010	L Max.	M +.010 -.000	N Dia. Max.	R (TP)	S +.011 -.010	Z +.040 -.050 Size 16 & 20 Contacts
6	71-570120-XXX	.348	.493	.825	.431	.323	.469	.688	.380
8	71-570121-XXX	.473	.493	.825	.431	.449	.594	.812	.380
10	71-570122-XXX	.590	.493	.825	.431	.573	.719	.938	.380
12	71-570123-XXX	.750	.493	.825	.431	.699	.812	1.031	.380
14	71-570124-XXX	.875	.493	.825	.431	.823	.906	1.125	.380
16	71-570125-XXX	1.000	.493	.825	.431	.949	.969	1.219	.380
18	71-570126-XXX	1.125	.493	.825	.431	1.073	1.062	1.312	.380
20	71-570127-XXX	1.250	.650	1.076	.556	1.199	1.156	1.438	.286
22	71-570128-XXX	1.375	.650	1.076	.556	1.323	1.250	1.562	.286
24	71-570129-XXX	1.500	.683	1.109	.589	1.449	1.375	1.688	.253

All dimensions for reference only.

MIL-C-26482 Series 1 Type Connectors with PCB contacts PT07 jam nut receptacle



HOW TO ORDER

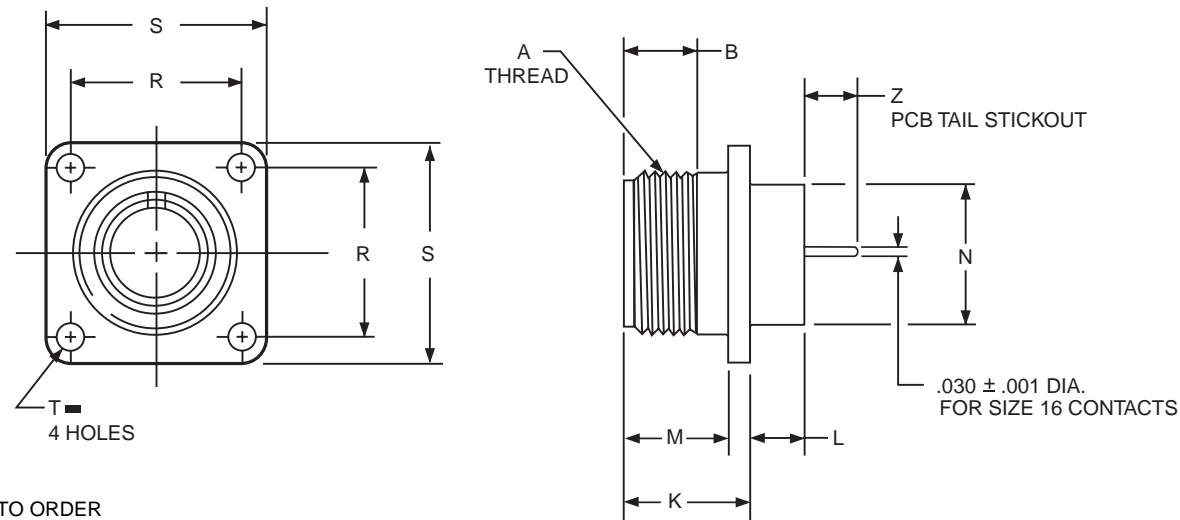
- Order by applicable 71 part number in table below.
71 prefix designates olive drab cadmium plated connector shell.
(For availability of other finishes consult Amphenol, Sidney, NY)
- Add insert arrangement to end of number. Refer to insert availability chart on page 4 and pin-out illustrations on pages 4-24. Last letter of part number designates rotation; P for pins in normal position, S for sockets in normal position. See page 26 for alternate rotation letter to use.
Example part number: 71-533721-98P designates shell size 8 with a 8-98 insert and pin contacts in normal position.
- Z dimension is determined by contact type in the insert arrangement.
- Most common options are shown; other options are available.

All lockwire holes are .044 dia. min.

Shell Size	Part Number	A Dia. +.001 -.005	H +.017 -.016	J Flat +.000 -.010	K +.011 -.010	M ±.010	P Panel Thickness		R Thread Class 2A	S ±.010	Z +.025 -.035
							Min.	Max.			Size 16 & 20 Contacts
6	71-533720-XXX	.348	.625	.405	.125	.696	.062	.125	.4375-28 UNEF	.812	.376
8	71-533721-XXX	.473	.750	.530	.125	.696	.062	.125	.5625-24 UNEF	.938	.376
10	71-533722-XXX	.590	.875	.655	.125	.696	.062	.125	.6875-24 UNEF	1.062	.376
12	71-533723-XXX	.750	1.062	.818	.125	.696	.062	.125	.8750-20 UNEF	1.250	.376
14	71-533724-XXX	.875	1.188	.942	.125	.696	.062	.125	1.0000-20 UNEF	1.375	.376
16	71-533725-XXX	1.000	1.312	1.066	.125	.696	.062	.125	1.1250-18 UNEF	1.500	.376
18	71-533726-XXX	1.125	1.438	1.191	.125	.696	.062	.125	1.2500-18 UNEF	1.625	.376
20	71-533727-XXX	1.250	1.562	1.316	.156	.884	.062	.250	1.3750-18 UNEF	1.812	.367
22	71-533728-XXX	1.375	1.688	1.441	.156	.884	.062	.250	1.5000-18 UNEF	1.938	.367
24	71-533729-XXX	1.500	1.816	1.566	.156	.917	.062	.250	1.6250-18 UNEF	2.062	.334

All dimensions for reference only.

MIL-5015 Type Connectors with PCB contacts MS3102R box mounting receptacle



HOW TO ORDER

- Order by applicable 10- part number in table below.
- 10- prefix designates olive drab cadmium plated connector shell.
(For availability of other finishes consult Amphenol, Sidney, NY)
- Add insert arrangement to end of number. Refer to insert availability chart on page 4 and pin-out illustrations on pages 4-24. Last letter of part number designates rotation; P for pins in normal position, S for sockets in normal position. See page 26 for alternate rotation letter to use.
Example part number: 10-602462-3P designates shell size 10SL with a 10SL-3 insert and pin contacts in normal position.
- Z dimension is determined by contact type in the insert arrangement.
- Most common options are shown; other options are available.

Reverse Bayonet GT Series connectors that incorporate 5015 inserts can also be supplied with printed circuit board contacts. Consult Amphenol for more information.

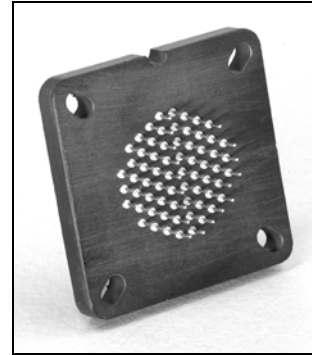
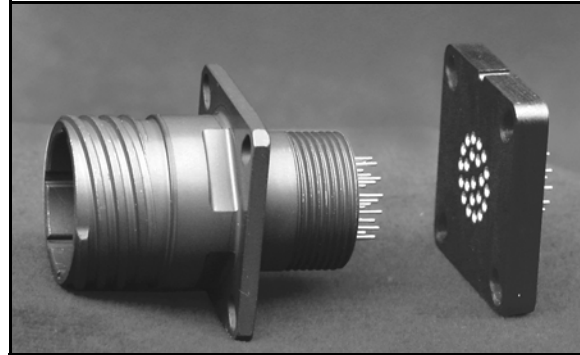
Shell Size	Part Number	A Thread Class 2A	B Min. Full Thread	K +.020 -.010	L +.000 -.010	M +.010 -.000	N Dia. +.010 -.000	R ±.005	S ±.031	T Dia. +.004 -.002	Z ±.045
											Size 16 Contacts
8S	10-602460-XXX	.5000-28 UNEF	.391	.672	.297	.562	.375	.594	.875	.120	.188
10S	461-XXX	.6250-24 NEF	.391	.672	.297	.562	.500	.719	1.000	.120	.188
10SL	462-XXX	.6250-24 NEF	.391	.672	.297	.562	.625	.719	1.000	.120	.188
12S	463-XXX	.7500-20 UNEF	.450	.672	.297	.562	.625	.812	1.094	.120	.188
12	464-XXX	.7500-20 UNEF	.625	.860	.484	.750	.625	.812	1.094	.120	.188
14S	465-XXX	.8750-20 UNEF	.450	.672	.297	.562	.750	.906	1.188	.120	.188
14	466-XXX	.8750-20 UNEF	.625	.860	.484	.750	.750	.906	1.188	.120	.188
16S	467-XXX	1.0000-20 UNEF	.450	.672	.297	.562	.875	.969	1.281	.120	.188
16	468-XXX	1.0000-20 UNEF	.625	.860	.484	.750	.875	.969	1.281	.120	.188
18	469-XXX	1.1250-18 NEF	.625	.891	.453	.750	1.000	1.062	1.375	.120	.188
20	470-XXX	1.2500-18 NEF	.625	.891	.453	.750	1.125	1.156	1.500	.120	.188
22	471-XXX	1.3750-18 NEF	.625	.891	.453	.750	1.250	1.250	1.625	.120	.188
24	472-XXX	1.5000-18 NEF	.625	.953	.453	.812	1.375	1.375	1.750	.147	.188
28	473-XXX	1.7500-18 NS	.625	.953	.453	.812	1.625	1.562	2.000	.147	.188
32	474-XXX	2.0000-18 NS	.625	1.031	.438	.875	1.875	1.750	2.250	.173	.188
36	475-XXX	2.2500-16 UN	.625	1.031	.438	.875	2.062	1.938	2.500	.173	.188
40	476-XXX	2.5000-16 UN	.625	1.031	.438	.875	2.312	2.188	2.750	.173	.188

All dimensions for reference only.

Universal Header Assemblies for flex print or PCB connectors

Mounts to all MIL-DTL-38999 and MIL-C-26482 Connectors

The use of connectors with printed circuit termination is rapidly gaining popularity due to the use of high volume, vapor phase or wave solder manufacturing processes. Termination of this style of connector to flex print or a printed circuit board represents a major cost in the manufacturing process for users. When adding flex or printed circuit board assemblies to an expensive filter or filter/transient protection connector, the total cost of a failed solder joint, a bent pin, or an unanticipated electrical failure becomes prohibitive. The universal header assembly from Amphenol will provide for easy separation of the connector from the board on these occasions.



Headers provide easy separation of the connector from the PC board.

Header Assemblies Provide Cost Savings

Incorporation of the header assembly provides the user with time and cost saving potentials. These header assemblies can be vapor phase or wave soldered to flex or printed circuit boards prior to the receipt of the EMI/EMP connector. Headers can be installed to standard connectors, allowing for electrical testing that would adversely affect the sensitive diodes, MOV's or capacitors in the EMI/EMP connectors. Expensive connector assemblies can be easily removed from and reattached to the header assembly as the manufacturing process dictates.

Mounting Applications

Shell modifications are recommended, but are not necessary. The header assembly can be attached to connectors with standard flange placement or directly to the circuit board. The ideal application would involve either a single flange moved all the way to the rear of the connector or a double flange. Cinch nuts can be installed in either flange to allow easier mounting to the panel or the header assembly. The forward flange would mount the connector to the panel; the rear flange would be used to mount the header assembly. Various types of captivated or loose attaching screws can be utilized for unique applications. Amphenol universal headers are slotted to allow mounting to all series of MIL-DTL-38999 or MIL-C-26482 connectors without special alterations. They are of similar dimension as the flange of the mounting connector and would be approximately .185 inches (4.70 mm) thick.

Incorporates a Shorter Pin/Socket Contact

The heart of the header assembly is a short pin/socket contact. The tall of the contact would accommodate standard through-hole diameter and thickness of the flex or printed circuit board materials. The socket is imbedded in the molded material, making electrical engagement with the printed circuit tail of the connector.

Cylindrical Configuration

- 3 PCB stickout dimensions are available.
- Size 22D contacts use .175 thick headers
- Size 16 contacts use .195 thick headers
- Consult Amphenol for Size 20 contact use with headers.
- Headers for cylindrical connectors accommodate up to 128 pins. Consult Amphenol catalogs for mating connector contact layouts (12-092 and 12-090 for MIL-DTL-38999 and 12-070 for MIL-C-26482).

Mounting to Rectangular ARINC Connectors

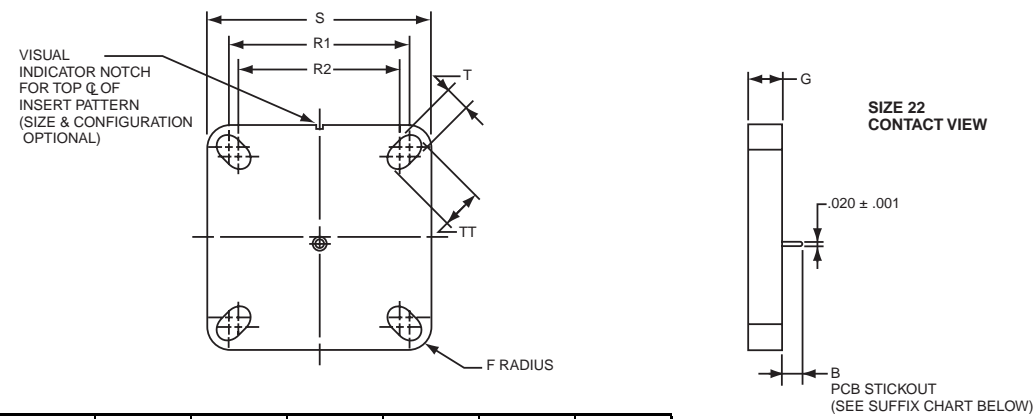
- Headers for ARINC connector arrangements accommodate up to 150 pins.
- Consult Amphenol for ARINC configurations and detailed dimensions.

Materials

- Body is molded from Torton or PPS (Polyphenylene Sulfide)
- Electrical engagement areas of the header contact are plated with .00003 inches minimum of gold over .00005 inches minimum of nickel.

Universal Header Assemblies for flex print or PCB connectors, cont.

The drawing below shows the standard universal adapter for use with MIL-DTL-38999 and MIL-C-26482 connectors. Consult Amphenol, Sidney, NY for drawings of headers for ARINC configurations.



Assembly Part Number	Shell Size	F Radius	G ±.005	S ±.005	T +.008 -.006	R1 TP†	R2 TP†	TT +.008 -.006
21-904008-XX()	8/9	.094		.938	.128	.719	.594	.216
21-904010-XX()	10/11	.094		1.031	.128	.812	.719	.194
21-904012-XX()	12/13	.094		1.125	.128	.906	.812	.194
21-904014-XX()	14/15	.125		1.219	.128	.969	.906	.173
21-904016-XX()	16/17	.125		1.312	.128	1.062	.969	.194
21-904018-XX()	18/19	.125		1.438	.128	1.156	1.062	.194
21-904020-XX()	20/21	.125		1.562	.128	1.250	1.156	.194
21-904022-XX()	22/23	.125		1.688	.154	1.375	1.250	.242
21-904024-XX()	24/25	.125		1.812	.154	1.500	1.375	.242

See Suffix Chart

Assemblies containing Size 22 contact only: .175
Assemblies containing Size 16 or 20 contacts: .195

† TP designates true position dimensioning.

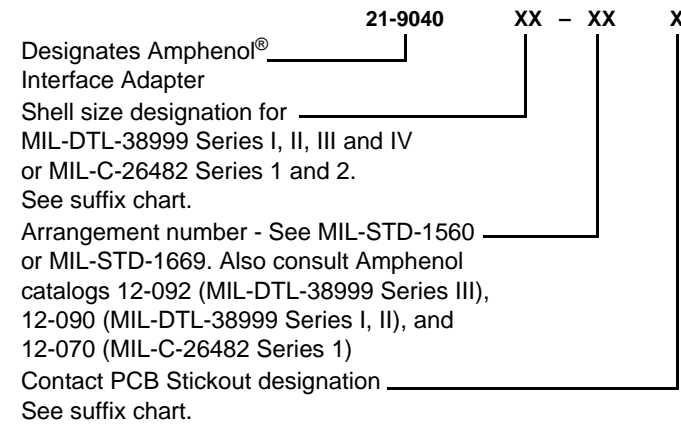
NOTE:

Size 22 accepts .018 to .022 dia. PCB tails.
Size 16 accepts .048 to .064 dia. PCB tails.
Size 20 accepts .037 to .043 dia. PCB tails.

HOW TO ORDER INFORMATION

For Universal Adapter used with MIL-DTL-38999 and MIL-C-26482 Connectors

Use coded number as follows:



For how to order information on adapters to be used with ARINC connectors, consult Amphenol Aerospace, Sidney NY.

ASSEMBLY NUMBER SUFFIX CHART

Shell Size Designation*	Arrangement Number Suffix***	Contact PCB Stickout**	
		Suffix	B ±.015 Stickout
08	Insert Arrangement Suffix from MIL-STD-1560 or MIL-STD-1669	1	.120
10		2	.185
12		3	.270
14			
16			
18			
20			
22			
24			

* Shell size designation for MIL-DTL-38999 Series I, II, III & IV and MIL-C-26482 Series 1 and 2.
Examples: Shell size 9 use 08. Shell size 25 use 24.

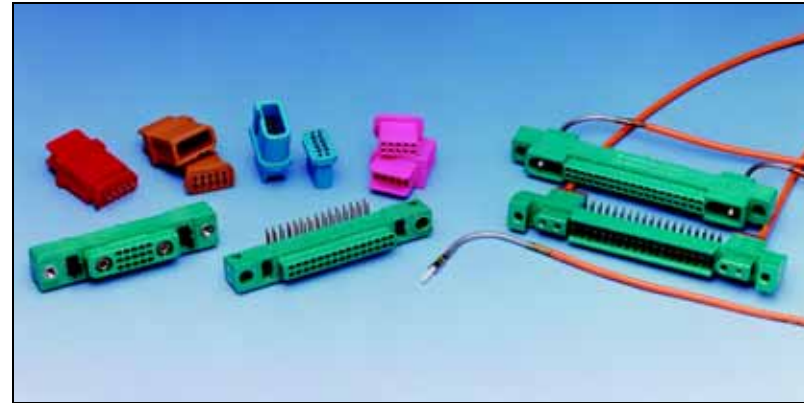
** Size 22 contacts available in all 3 stickout lengths. Size 16 and 20 contacts available only in .185 and .270 lengths.

*** Insert arrangement 14-97 and 15-97 are not available at this time. Consult Amphenol, Sidney, NY for information.

Additional Products for PCB Application

Amphenol® rectangular interconnects

Amphenol is also a leader in rectangular interconnects for printed circuit board application. Within the rectangular families of Amphenol interconnects are Low Mating Force MIL-C-55302 connectors and LRM Surface Mount Connectors.



Variety of Low Mating Force Rectangular Connectors including styles with fiber optics (right) and small styles with only 10 contacts (upper left).

LOW MATING FORCE MIL-C-55302 CONNECTORS

- Superior electrical characteristics - redundant current paths, low constrictive resistance, stable time/life contact resistance, uniform current densities
- High performance polyester dielectric moldings
- Over 20,000 mating cycles with B³ Bristle Brush Bunch® contacts
- Significant reduction in mating force. Only 1.5 ounce max contact engaging and separating forces
- -65° to +125°C temperature rating
- High circuit count interconnections to 400 contacts per connector
- Two, three and four row patterns, 10 to 100 contacts per row, in one contact per row increments
- 0.100 in. center to center contact spacing, square grid
- Serviceability - removable crimp contacts, repairable PC stud and solder less wrap contacts
- Board support structure - reinforcing reduced
- Variety of contact terminations and platings
- Accessories to suit latching, piloting and polarization variations
- Up to 256 keyed mating polarizations

M55302/166 or 167 Mother Board, M55302/170 Daughter Board 1., 2. Two piece PCB connector featuring PCB stud or solderless wrap contacts in the MB Series and field repairable 90° PCB stud contacts in the DB Series.

M55302/169 Input/Output

3. Rear release, rear removable crimp contacts for discrete wire cabling. I/O connector series mates with standard MB and PC receptacle series to provide external inputs/outputs.

M55302/168 PC

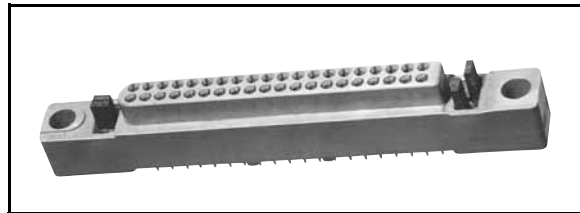
4. 90° PCB stud contacts for side mounting on board. Mates with DB and I/O series.

Hybrid Rectangular Connectors with Brush/Power/Coax/Fiber Optic Combinations

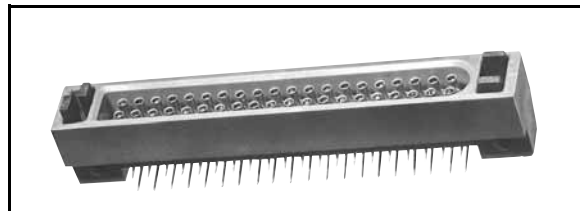
Amphenol offers wide versatility of combining contact types in rectangular interconnects.

For more information on Low Mating Force Connectors see catalog 12-035 online at www.amphenol-aerospace.com

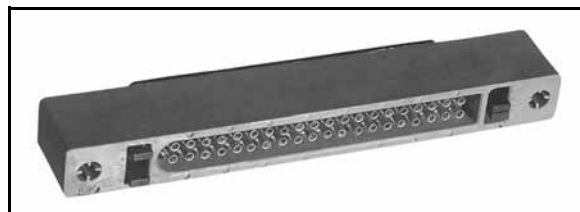
1



2



3



4



Additional Products for PCB Application

Amphenol® rectangular interconnects, cont.

LRM SURFACE MOUNT CONNECTORS

The introduction of high speed integrated circuitry such as VHSIC and MMIC has enabled the Design Engineer to accomplish far more on his printed circuit board than ever before. This, coupled with the emergence of a revolutionary change in avionics packaging - modular avionics architectures - has created the need for a high performance, low insertion force PCB connector with significantly increased contact density.

The LRM (Line Replaceable Module) connector series are high performance, high density interconnects, specifically designed to connect printed circuit boards. The Amphenol Brush contact technology is the foundation of the LRM connector series.

LRM Connectors with Staggered Grid

- Advanced design to provide high contact density for high speed integrated circuitry in SEM-E and custom form factors
- 180 contact insert pattern grid in 8 rows: 0.100 inch spacing along the row with 0.050 inch between rows, rows offset 0.050 inch.
- Options include various shell designs to accommodate a wide range of PC board/heat sink combinations
- Solder tail, wire wrap or compliant contact availability
- ESD protection

LRM Connectors with GEN-X Grid

- Higher contact density and improved electrical performance
- All the features of the 180 contact pattern, including ESD protection
- Available in SEM-E and custom form factors
- 236 contact pattern grid in 8 rows: 0.075 inch spacing along the row with 0.060 inch between rows, rows offset 0.0375 inch

LRM Staggered Grid Airflow-thru Connectors

- Available for wider boards up to 0.425 inch. These accommodate standard brush tails in staggered pattern, but with increased spacing in the center, and they also provide more airflow cooling of inserts.

LRM Connectors with Many Contact and Shell Design Options

Flexibility to meet customer demands that include: combinations of brush and fiber optics; options for high speed contacts, RF contacts, or new high amperage RADSOK® contacts; incorporation of flex circuits; custom shells with multiple bays.

For more information on LRM Connectors see new catalog 12-037 at website www.amphenol-aerospace.com.

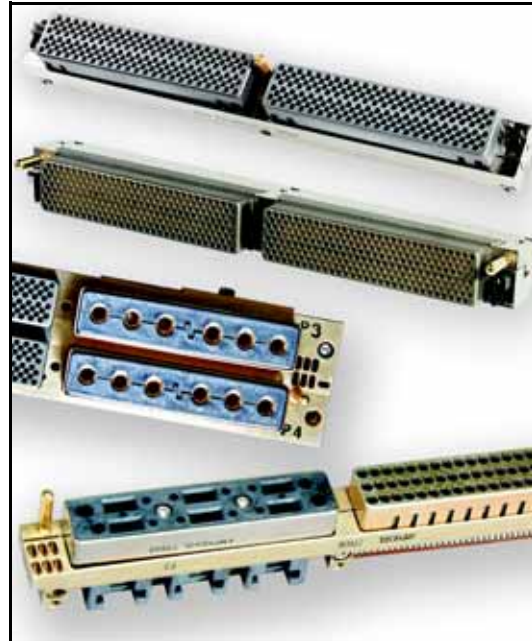
BACKPLANE ASSEMBLIES

Amphenol is the leading manufacturer of custom backplane assemblies using high density, ruggedized, board-to-board backplane interconnects. These can incorporate brush contacts, pc tail, or press-fit compliant pin contacts, or fiber optic termini. They also can incorporate fork and blade contacts (see next page for fork and blade contact connectors).

- Electrical Backplanes - Large panel sizes with high layer counts, and features such as high aspect ratio plating, small diameter plated-through holes, and controlled impedances.
- Optical Backplanes - Fiber termination with Multi-Terminal (MT) optical ferrules. Ribbon cable sorting allows programming flexibility; thus rendering the entire system easily upgradeable.
- Hybrid Optical Backplanes - Integrated electrical and optical systems in one discreet package for advanced avionics systems.

For more information on Backplane Assemblies from Amphenol Backplane Systems division, see publication SL-392 at websites:

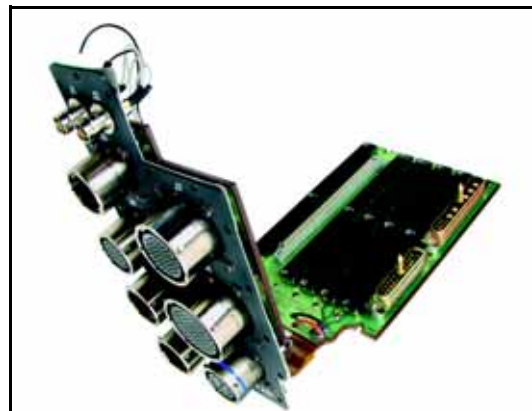
www.amphenol-abs.com or www.amphenol-aerospace.com.



From top to bottom:
Staggered Grid, 2 Bay LRM;
GEN-X Grid, 2 Bay LRM;
LRM inserts with RADSOK contacts;
LRM insert with MT ferrule fiber optics and brush contacts in a Differential Pair insert.



LRM Module Inserts (showing front and back of inserts) with PC Tails in Staggered Grid Pattern



Backplane Assembly with LRM Connectors with Brush Contacts on one side and Cylindrical Connectors with Press-fit Compliant Contacts on the other.

Amphenol® Rectangular Interconnects additional products for PCB application

UHD MODULE/BACKPLANE CONNECTORS WITH FORK & BLADE CONTACTS

Amphenol's wide range of board level interconnects also includes high density UHD Series module and backplane connectors. These use the staggered grid pattern but do not use brush contacts. The staggered grid pattern is 80 contacts per inch, .025 pitch in 8 rows. They are SEM-E format and are qualified to: EIA 15-763, DESC 89065, IEEE 1101.1 to 1101.9.

The UHD module connectors have surface mount blade contacts and the mating UHD backplane connectors have solderless press-fit tuning fork contacts. There are a wide range of high contact density patterns and the length and style can be tailored to meet customer requirements. They are rigid pin terminated to the board or flex terminated to the board. Coax, fiber optics and power contacts can also be integrated into the connector configuration. Other options include EMI shielding and UHD interconnects can be provided in a stacking configuration.

NAFI SERIES WITH FORK & BLADE CONTACTS

Amphenol NAFI daughtercard and backplane connectors are another board level interconnect that uses the fork and blade contact termination. They provide a wide range of medium contact density patterns and meet MIL-C-28754 standards. Daughtercard termination is through-hole, using nickel/gold solder plated contacts. The mating interface is a blade contact which can be either parallel or perpendicular to the daughtercard. They are available with 2, 3, 4 and 5 rows of contacts, .100 x .100 pitch. They can be rigid pin terminated to the board or flex circuitry can be used to attach to the board.

Both UHD and NAFI interconnects are used in military and commercial aviation, in space applications, shipboard and in military vehicles. For more information see catalog 12-036 at www.amphenol-abs.com or www.amphenol-aerospace.com.

PRINTED CIRCUIT BOARD TERMINAL BLOCKS

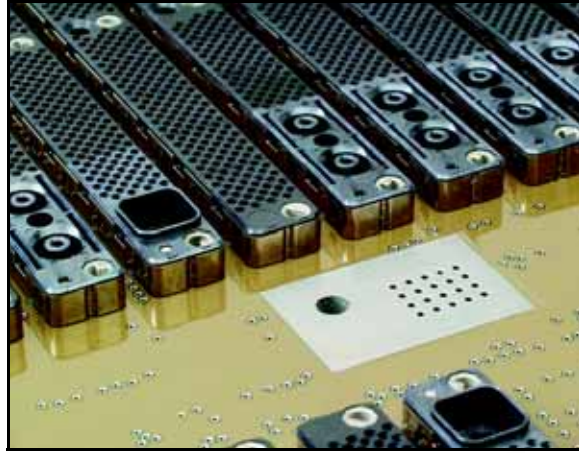
Amphenol Pcd division supplies wire-to-board discrete-wire connections in a variety of styles.

- Pluggable terminal blocks and headers in 3.5mm/.150" pitches in straight, angled, with locking ears, 2-tier, 3 tier, and low profile styles.
- Fixed terminal blocks in 5.0mm, .200", .250", .375" pitches in standard profiles, multi-tier, spring-clamp, high current and high voltage styles.
- Edgecard connectors that are screw terminated style in different size pitches.
- Custom designed terminal blocks with ear mounting options, DIN-rail mounting options, and others.

WIRING INTERFACE MODULES

Amphenol Pcd also supplies an industrial board level interconnect that replaces discrete terminations with a single pluggable unit. Connectors can be D-Sub, ribbon cable, RJ style, Centronic or DIN types. Also diodes, LEDs, resistors, capacitors, relays or fuses can be included in the unit.

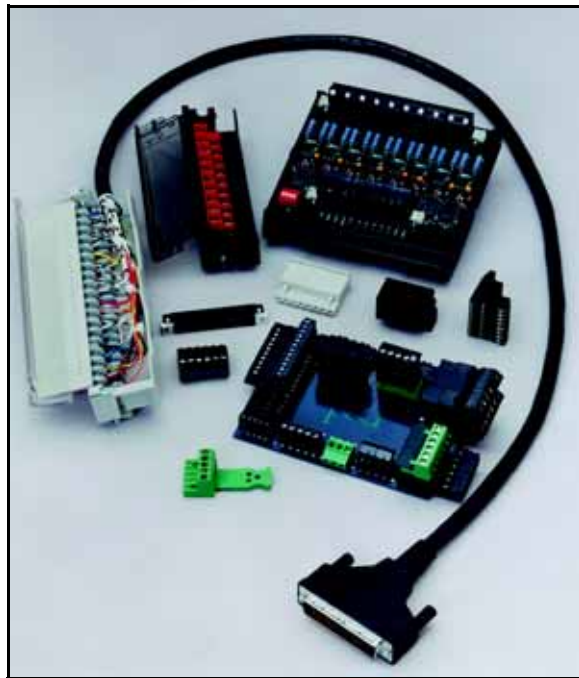
For more information on terminal blocks and wiring interface modules go online to www.amphenol-pcd.com.



UHD Backplane Connectors on Board, Rigid Pin Termination, with Fiber Optics, Coax or Power Contacts



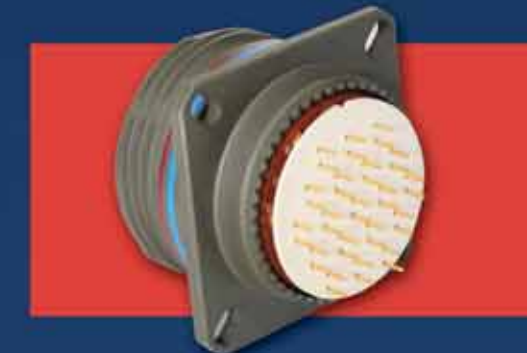
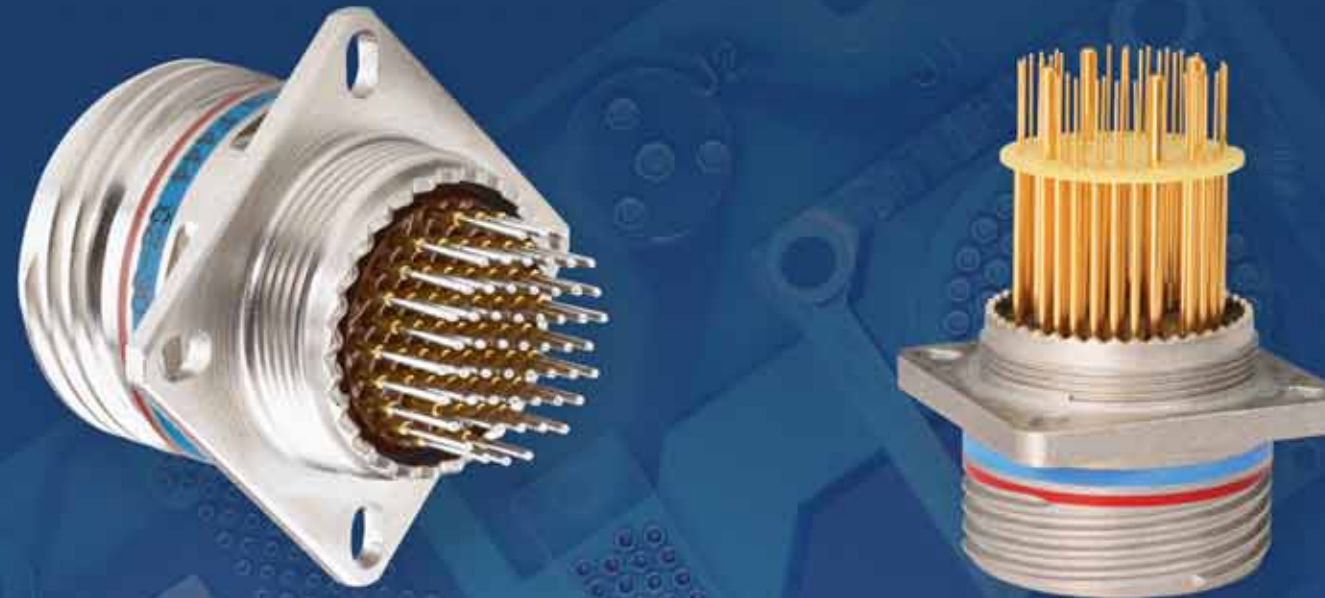
NAFI Daughtercard Connector with Flex Termination



PCB Circuit Board Terminal Blocks and Wiring Interface Modules

Amphenol® Cylindrical Connectors for Printed Circuit Board Applications

12-170-2



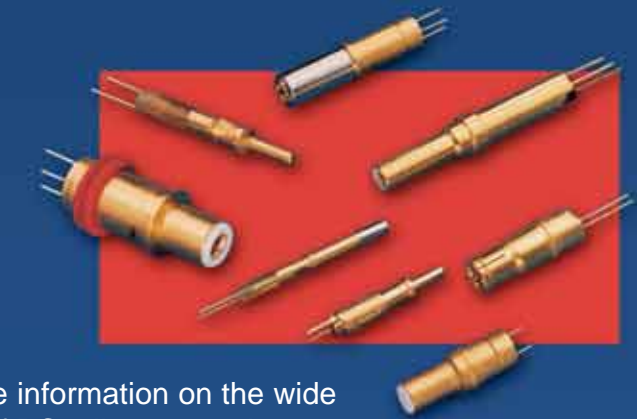
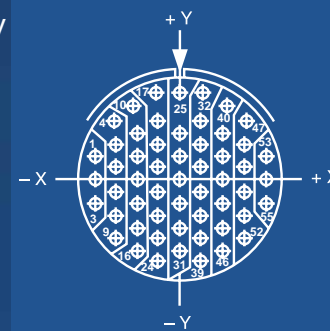
This catalog has been specifically designed to assist in the critical process of selecting the right cylindrical connector for a printed circuit board application.



Proven & reliable cylindrical connector solutions for PC board attachment: MIL-DTL-38999, MIL-C-26482 and MIL-5015, with a wide range of contact arrangements and options



Contact arrangements have been carefully selected to guide designers to the most commonly available and widely used insert patterns. Pin-out location illustrations of these contact insert patterns are shown first, followed by connector shell drawings in three series: MIL-DTL-38999, MIL-C-26482, MIL-5015.



For more information on the wide variety of PC tail contacts that are offered by Amphenol, see catalog 12-130, High Frequency Contacts, which also includes coax, twinax, triax and quadax shielded contacts.

Amphenol Corporation

Amphenol Aerospace
40-60 Delaware Avenue, Sidney, New York 13838-1395
Phone: 800-678-0141 or 607-563-5011 Fax: 607-563-5157
www.amphenol-aerospace.com

Amphenol

X-ON Electronics

Largest Supplier of Electrical and Electronic Components

Click to view similar products for [Circular MIL Spec Connector](#) category:

Click to view products by [Amphenol](#) manufacturer:

Other Similar products are found below :

[0025-262-542](#) [0025-264-3014](#) [58-570121-04S](#) [0134-202-1200](#) [0134-207-1206](#) [0134-207-1800](#) [0134-207-2207](#) [0134-213-0806](#) [0134-213-1007](#) [0134-213-1009](#) [0134-213-1208](#) [0134-213-1800](#) [0134-213-2209](#) [0025-258-000](#) [015-9516-002](#) [60-042722-19P](#) [0114-201-1278](#) [602GB06EG24-61SN](#) [0134-201-1207](#) [0134-201-1806](#) [0134-201-2006](#) [0134-201-2007](#) [0134-201-2010](#) [0134-202-1400](#) [0134-207-0809](#) [0134-207-1208](#) [0134-207-2009](#) [0134-213-1006](#) [6104-207-2302](#) [6104-208-1902](#) [6131-202-19149P](#) [6131-204-21149P](#) [6131-207-13149P](#) [6131-208-13149P](#) [6131-209-17149P](#) [6131-210-11149P](#) [6131-211-19149P](#) [6131-216-19149P](#) [6131-220-25149P](#) [6131-259-11149P](#) [6131-259-21149P](#) [6131-259-23149P](#) [6131-263-19149P](#) [6131-265-17149P](#) [6131-265-19149P](#) [CS3102A-20-15P](#) [CS3102A-20-15S](#) [CS3102C18-4P-472](#) [CS3106A-20-29P](#) [CS3106A-20-74P](#)