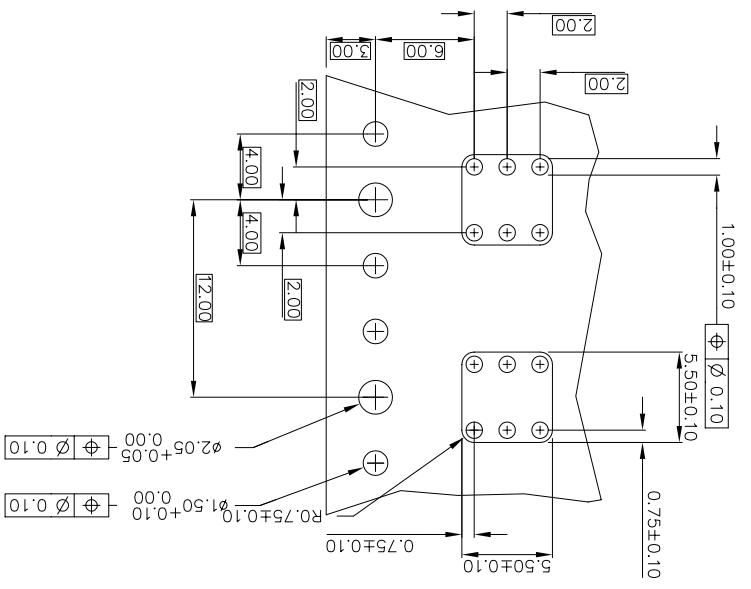
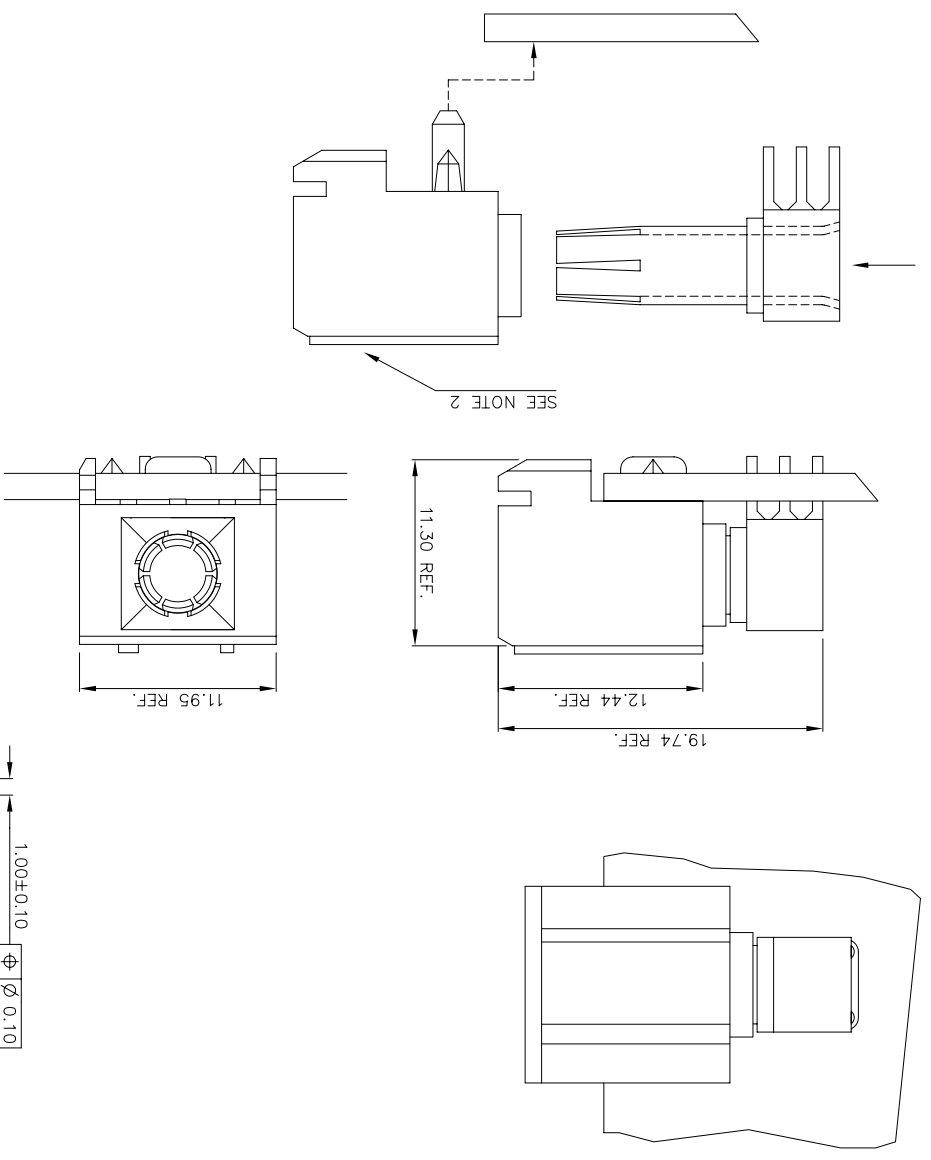


PRODUCT NUMBER	PCB THICKNESS
91877-001	1.6MM
91877-002	2.4MM
91877-003	2.4MM
91877-001LF	1.6MM
91877-002LF	2.4MM

OBsolete USE 91877-002



RECOMMENDED HOLE PATTERN COMPONENT SIDE

NOTE:

1. HOUSING SHOWN FOR APPLICATION CLARITY AND DOES NOT COME WITH R.A. RECEPTACLE POWER CONTACT
2. 4 ROW HSG W/HEAT STAKE PEG: P/N 70292-101
- 4 ROW HSG W/PRESS PEG: P/N 89092-101
- 5 ROW HSG W/HEAT STAKE PEG: P/N 73477-101
- 5 ROW HSG W/PRESS PEG: P/N 73478-101
3. RECEPTACLE CONTACT PLATING: GOLD OVER NICKEL
4. PLATING ON TAILS OF 91877-YYY IS SnPb PLATING ON TAILS OF 91877-YYYLF IS Sn (LEAD FREE)
5. IF P/N IS "LF" THE PRODUCT MEETS EUROPEAN UNION DIRECTIVES AND OTHER COUNTRY REGULATION AS DESCRIBED IN GS-22-008.

mat'l. code		surface	tolerance	ISO 406	ISO 1101	product family	product family
-		ISO 1302	tolerances unless otherwise specified	xxx ±.01/3	xxx ±.005/0.13	METRAL (tm)	R.A. PASS-THRU POWER CONTACT
ltr	ecn ndr	date	angles	lineart	scale	projection	title
B	V31676	SCS	9/08/93	2/02/96	7/17/00	1:1	mm
C	V60188	CSC	2/02/96	W/17/00	JWS	9/08/93	9/08/93
D	V01818	JWS	7/17/00	12/12/00	dr	STU STONER	11/01/91
E	V02928	JWS	12/12/00	12/14/04	engr	R. DOUTRICH	11/01/91
F	V04-1176	TAB	12/14/04	4/13/06	chr	STU STONER	11/01/91
G	M06-0156	MHT	4/13/06	7/27/06	appr	STU STONER	11/01/91
H	M06-0286	MNR	7/27/06				

index	sheet	revision
	1	H

dwg no	sheet 1 of 1 size
91877	A3



X-ON Electronics

Largest Supplier of Electrical and Electronic Components

Click to view similar products for [High Speed/Modular Connectors](#) category:

Click to view products by [Amphenol](#) manufacturer:

Other Similar products are found below :

[2332816-1](#) [89006-1137LF](#) [650827-1](#) [65762-001LF](#) [73474-201LF](#) [74040-1346](#) [74075-0267](#) [88911-201LF](#) [9514M0C20D](#) [1410191-1](#)
[1410337-1](#) [1410368-3](#) [1410964-2](#) [1410326-3](#) [1410367-3](#) [1410971-4](#) [1467833-1](#) [2000877-1](#) [2000878-1](#) [2041314-1](#) [2065387-1](#) [2187307-1](#)
[2187462-1](#) [2226278-6](#) [KA81-07](#) [91290-101LF](#) [1934290-1](#) [2000875-1](#) [2065917-1](#) [2102736-2](#) [FSR-40](#) [2169868-2](#) [2226279-2](#) [22354-8](#) [437-](#)
[5040-000](#) [5-1393565-0](#) [532449-3](#) [532803-2](#) [34745-0001](#) [0740618502](#) [0760151403](#) [0760551105](#) [0760551608](#) [0761451128](#) [0761651124](#)
[0761655108](#) [0761659807](#) [0769853208](#) [0736440217](#) [0758324203](#)