

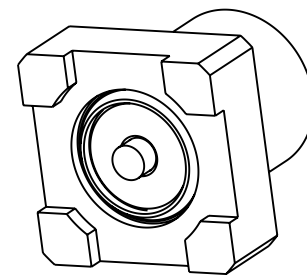
NOTES:

1. MATERIAL AND FINISH:
 - BODY - BRASS, GOLD PLATING
 - CONTACT - BERYLLIUM COPPER, GOLD PLATING
 - INSULATOR - PTFE, NATURAL
2. ELECTRICAL:
 - A. IMPEDANCE: 50 OHM
 - B. FREQUENCY RANGE: 0-2 GHz
 - C. VSWR (RETURN LOSS): 1.2 MAX.
 - D. DIELECTRIC WITHSTANDING VOLTAGE: 1000 VRMS. (FOR ONE MINUTE)
 - E. CONTACT RESISTANCE: 5 mOHM MAX. (CENTER CONTACT)
1 mOHM MAX. (OUTER CONTACT)
 - F. VOLTAGE RATING: 500 VOLTS
 - G. INSULATION RESISTANCE: 10000 MOHM (AT 500V FOR ONE MINUTE)
3. MECHANICAL:
 - A. DURABILITY: 500 CYCLES MIN.
 - B. TEMPERATURE RANGE: -40°C TO +85°C
 - C. OPERATING HUMIDITY: 10% TO 80% REL HUMIDITY

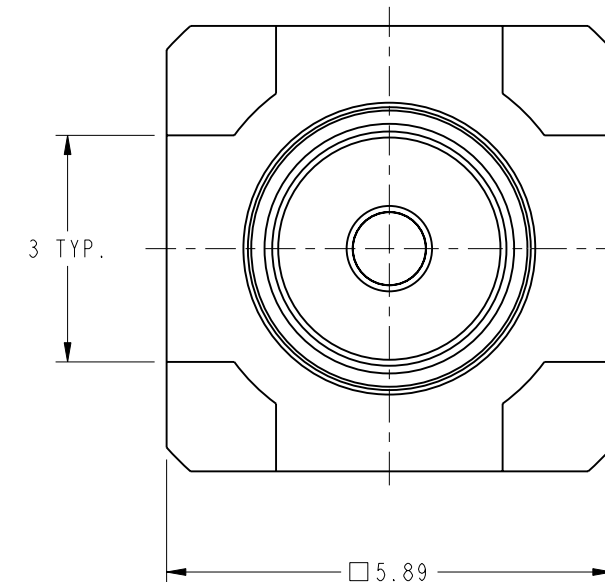
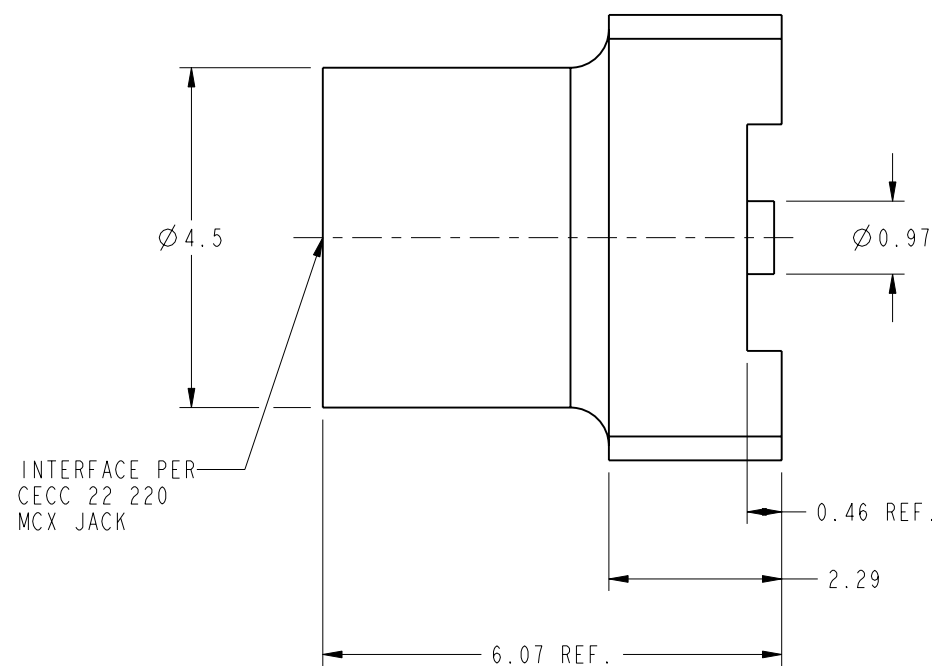
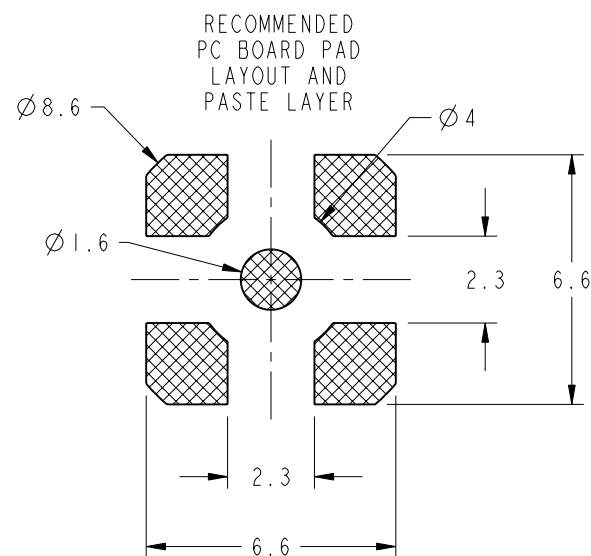
THIRD ANGLE PROJ.

REVISIONS

REV	DESCRIPTION	DATE	ECO	APPR
A	ENGINEERING PROTOTYPE	7/1/98	--	PB/TA
B	DELETE PACKAGING INFORMATION AND BOM	2/11/99	--	CPM/PB
C	TRANSFERED TO ARFA	29-Dec-08	--	SH
D	ADDED NOTE 3.C.\RD-DM09062601M	09-Jul-09	47492	SH
E	CONTACT PIN'S ASSEMBLING DIMENSION WAS CHANGED \RD-DM11012701S4	31-Jan-11	48283	DH
F	2.29 WAS 1.52, 0.46 WAS 0.76, REMOVED STAKE \RD-DM15042301J1	29-Apr-15	50419	HH



SCALE 5.000



CUSTOMER OUTLINE DRAWING
ALL OTHER SHEETS ARE FOR INTERNAL USE ONLY

UNLESS OTHERWISE SPECIFIED, DIMENSIONS ARE IN METRIC AND TOLERANCES ARE:
 < 0.5mm ± 0.05mm 0.5 - 6mm ± 0.1mm 6 - 30mm ± 0.2mm 30 - 120mm ± 0.3mm ANGLES ± 1°

NOTICE - These drawings, specifications, or other data (1) are, and remain the property of Amphenol corp. (2) must be returned upon request; and (3) are confidential and not to be disclosed to any person other than those to whom they are given by Amphenol Corp. the furnishing of these drawings, specifications, or other data by Amphenol Corp., or to any other person to anyone for any purpose is not to be regarded by implication or otherwise in any manner licensing, granting rights to permitting such holder or any other person to manufacture, use or sell any product, process or design, patented or otherwise, that may in any way be related to or disclosed by said drawings, specifications, or other data.

MATERIAL	DRAWN JEKY.C	DATE 28-Apr-15	TITLE MCX RECEPTACLE SURFACE MOUNT		Amphenol RF Danbury CT USA, Tainan, Taiwan, Shenzhen, China www.amphenolrf.com
	ENGINEER P.BRENZEL	DATE 18-Jun-98			
REFERENCE EAR 102-966929 1 615X-1429-100 GEN# ASSYF3-MCX	APPROVED H.HE	DATE 28-Apr-15	SCALE: 10.0:1.0	SHEET 2 OF 2	
FINISH	CAD FILE I:\MCX\919-118J-51P		DWG SIZE B	REV F	DRAWING NO. 919-118J-51P ITEM NO. 919-118J-51P PART NO. 919-118J-51P

X-ON Electronics

Largest Supplier of Electrical and Electronic Components

Click to view similar products for [RF Connectors / Coaxial Connectors](#) category:

Click to view products by [Amphenol](#) manufacturer:

Other Similar products are found below :

[8915-1511-000](#) [89674-0827](#) [6001-7071-019](#) [6002-7051-003](#) [6002-7551-202](#) [6059674-1](#) [619550-1](#) [630059-000](#) [M39030/3-01N](#) [M3933/25-36N](#) [6500-7071-046](#) [6769](#) [CX050L2AQ](#) [7002-1542-011](#) [7004-1512-000](#) [7009-1511-004](#) [7010-1511-000](#) [7029-1511-060](#) [7101-1541-010](#) [7101-1571-002](#) [7105-1521-002](#) [7145-1521-002](#) [7203-1571-003](#) [7209-1511-011](#) [7210-1511-015](#) [7210-1511-019](#) [73137-5015](#) [73216-2241](#) [7325-1512-000](#) [73404-2300](#) [7405-1521-005](#) [7405-1521-802](#) [7406-1521-005](#) [8527](#) [8547](#) [FS11V](#) [8808-1511-001](#) [9049-9513-000](#) [9074-9513-000](#) [9101-9573-002](#) [910A205F](#) [9130-9573-002](#) [PL11SC-026](#) [PL375-33](#) [PL40-5](#) [PL71-9](#) [PL74C-221](#) [PL75MC-217](#) [PL803-7](#) [980-8666-005](#)