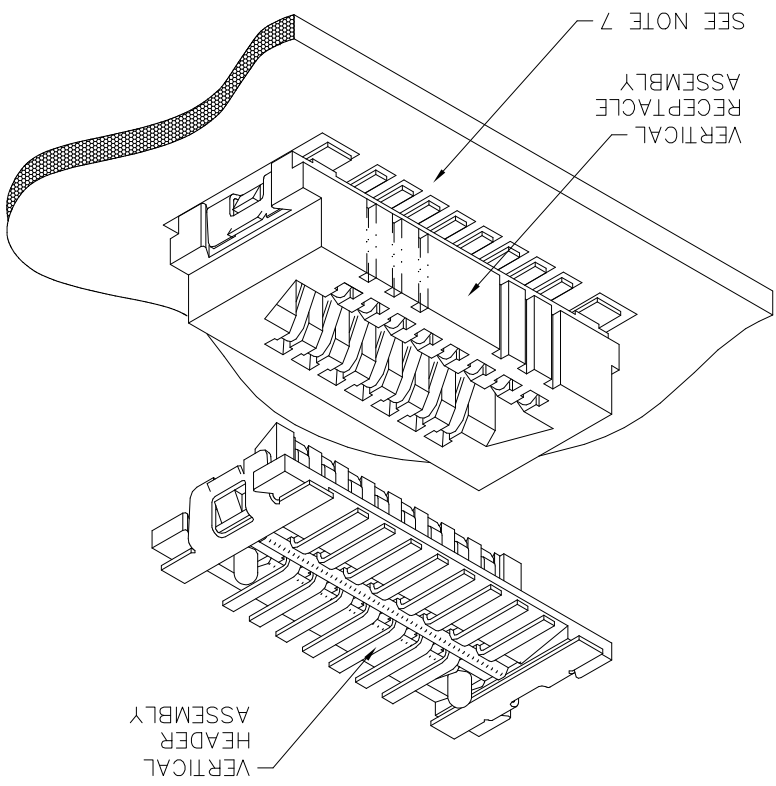
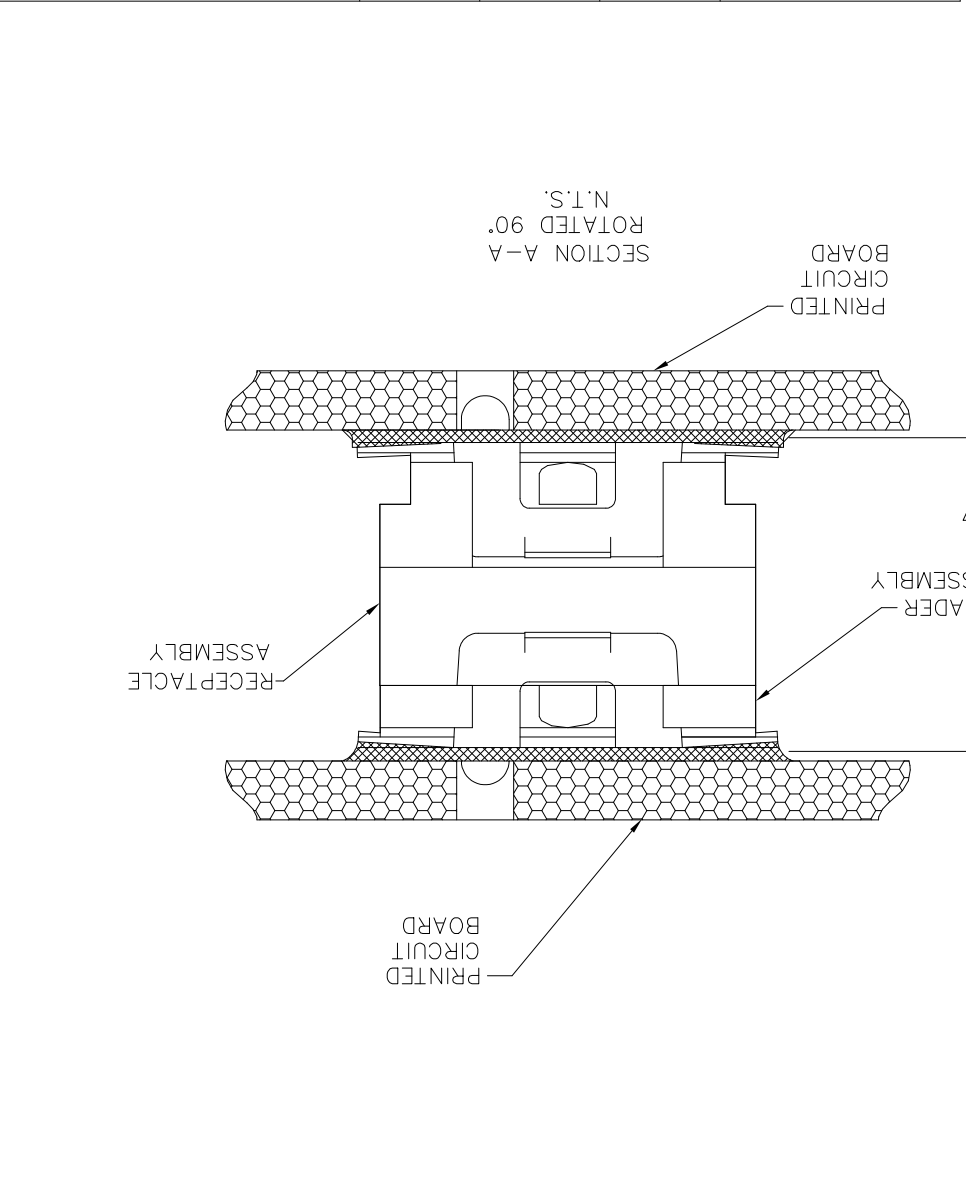
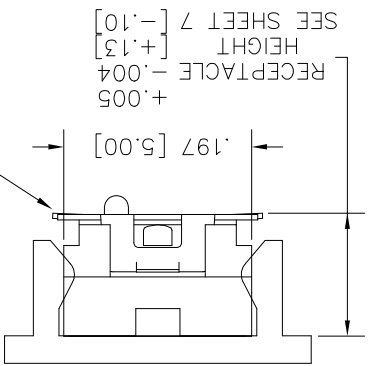
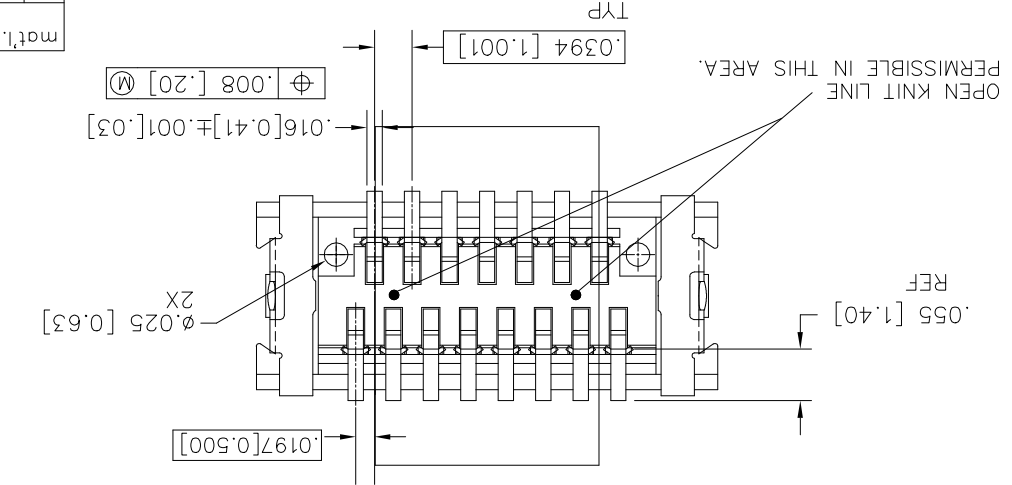
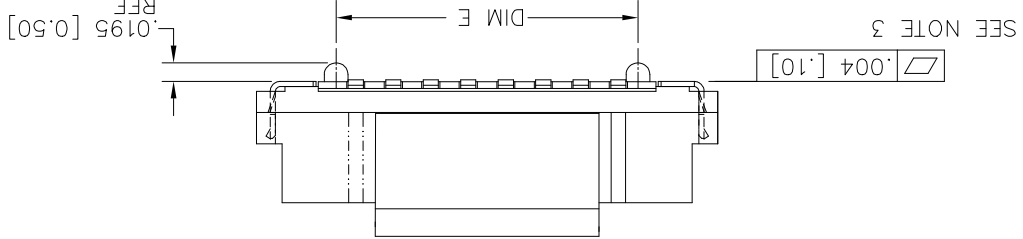
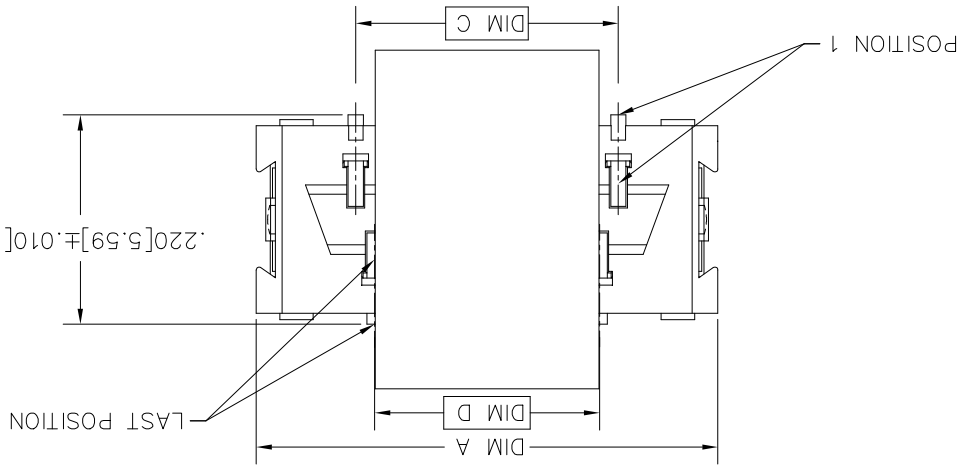


mat'l. code	surface	ISO 1302	tolerance	ISO 406 ISO 1101	projection	product family	CONAN®
itr	ecn no	dr	date	tolerances unless otherwise specified	title	CONAN® CONNECTOR ASSEMBLY	CONAN®
AG	ELX-N-14208	GM	03/07/13	.0±.30	INCH/MM	CONAN® CONNECTOR ASSEMBLY	CONAN®
AH	ELX-N-22454	EH	10/11/15	.00±.20	INCH/MM	CONAN® CONNECTOR ASSEMBLY	CONAN®
AJ	-	EH	12/12/15	0±x	scale 1:1	CONAN® CONNECTOR ASSEMBLY	CONAN®
AK	ELX-N-26578	TONY	04/07/17	dr	Eric Huang	10/11/15	10/11/15
AL	ELX-N-26810	TONY	04/26/17	engr	Eric Huang	10/11/15	10/11/15
AF	M08-0287	MHT	10/02/08	appd	Tim Yao	10/11/15	10/11/15
sheet	revision	AL	AL	AL	AL	AL	AL
index	sheet	1	2	3	4	5	6



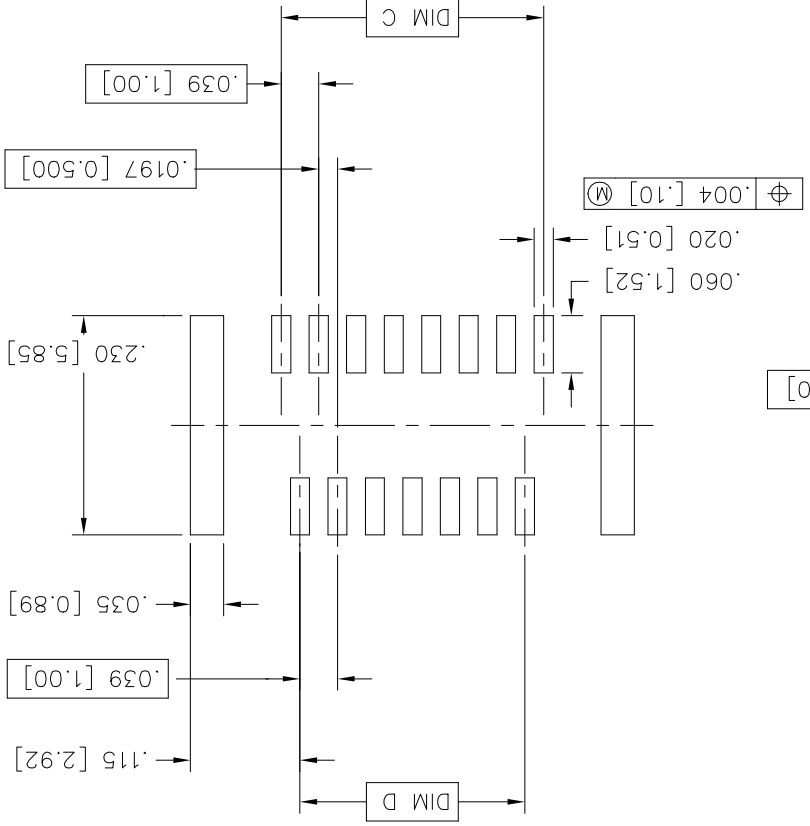
PRODUCT NUMBER  
SEE TABLE



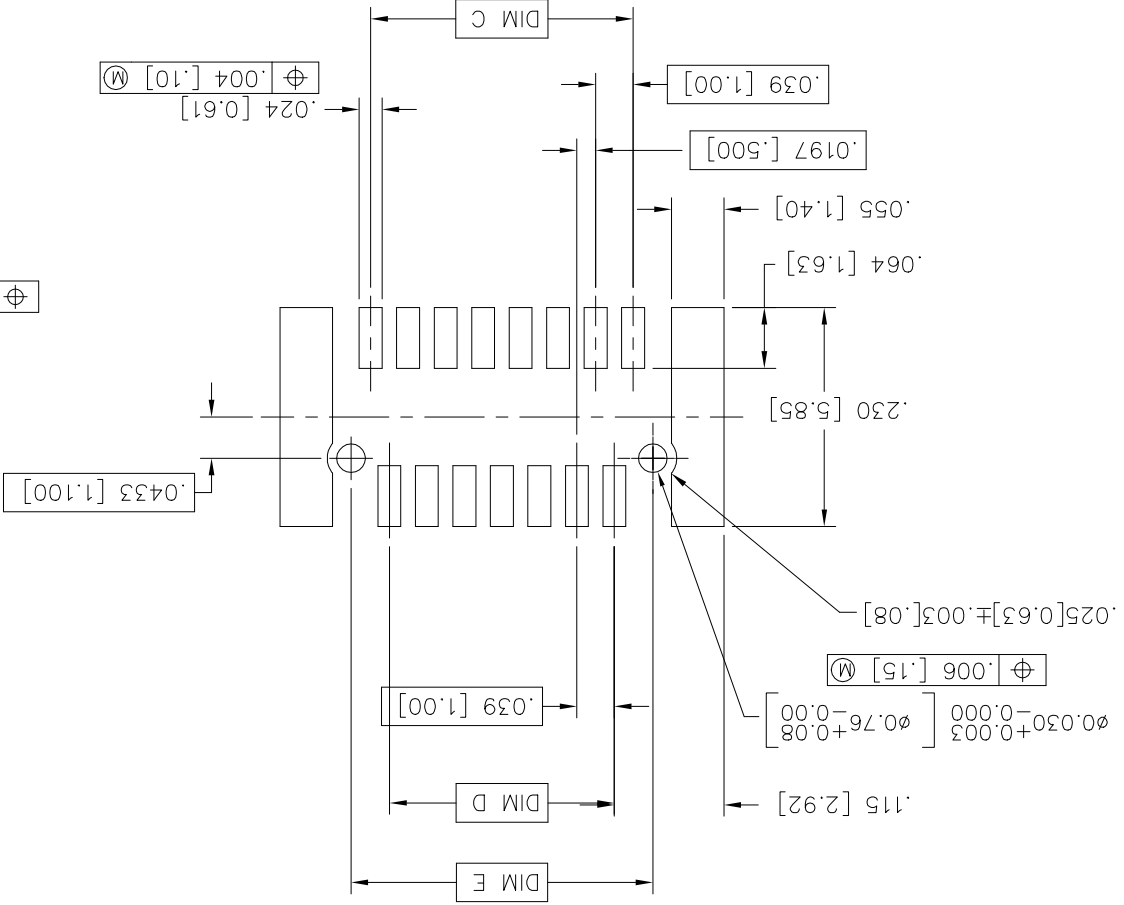
mat'l. code	surface	tolerance	projection	product family	CONAN®
itr	ecn no	dr	date	tolerances unless otherwise specified	title
AL	angles	linear	.00±.20	INCH/MM	CONAN® CONNECTOR ASSEMBLY
	0.7x	.000±.10	scale 1:1	dwg no	91900
sheet	revision	sheet	revision	type	Product Customer Drawing
				sheet 2 of 7	size A3
				oppp	Tim Yao 10/11/15
				chr	
				engr	Eric Huang 10/11/15
				dr	Eric Huang 10/11/15

mat'l. code	surface tolerance	ISO 1302	ISO 406	ISO 1101	projection	product family	CONAN®
itr	ecn no	dr	date	tolerances unless otherwise specified	title	CONAN® CONNECTOR ASSEMBLY	
AL	angles	linear	.005±.20	INCH/MM	scale	1:1	
	0°x		.000±.10		dwg no	91900	
	dr	Eric Huang	10/11/15		type	Product Customer Drawing	
	engr	Eric Huang	10/11/15		sheet	3 of 7	
	chr				revision	A3	
	oppd	Tim Yao	10/11/15		index		
	sheet						

RECOMMENDED  
STENCIL LAYOUT  
FOR RECEPACLE

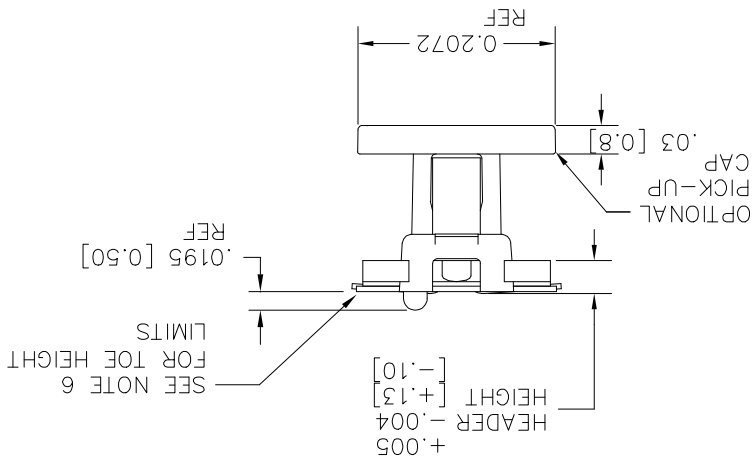
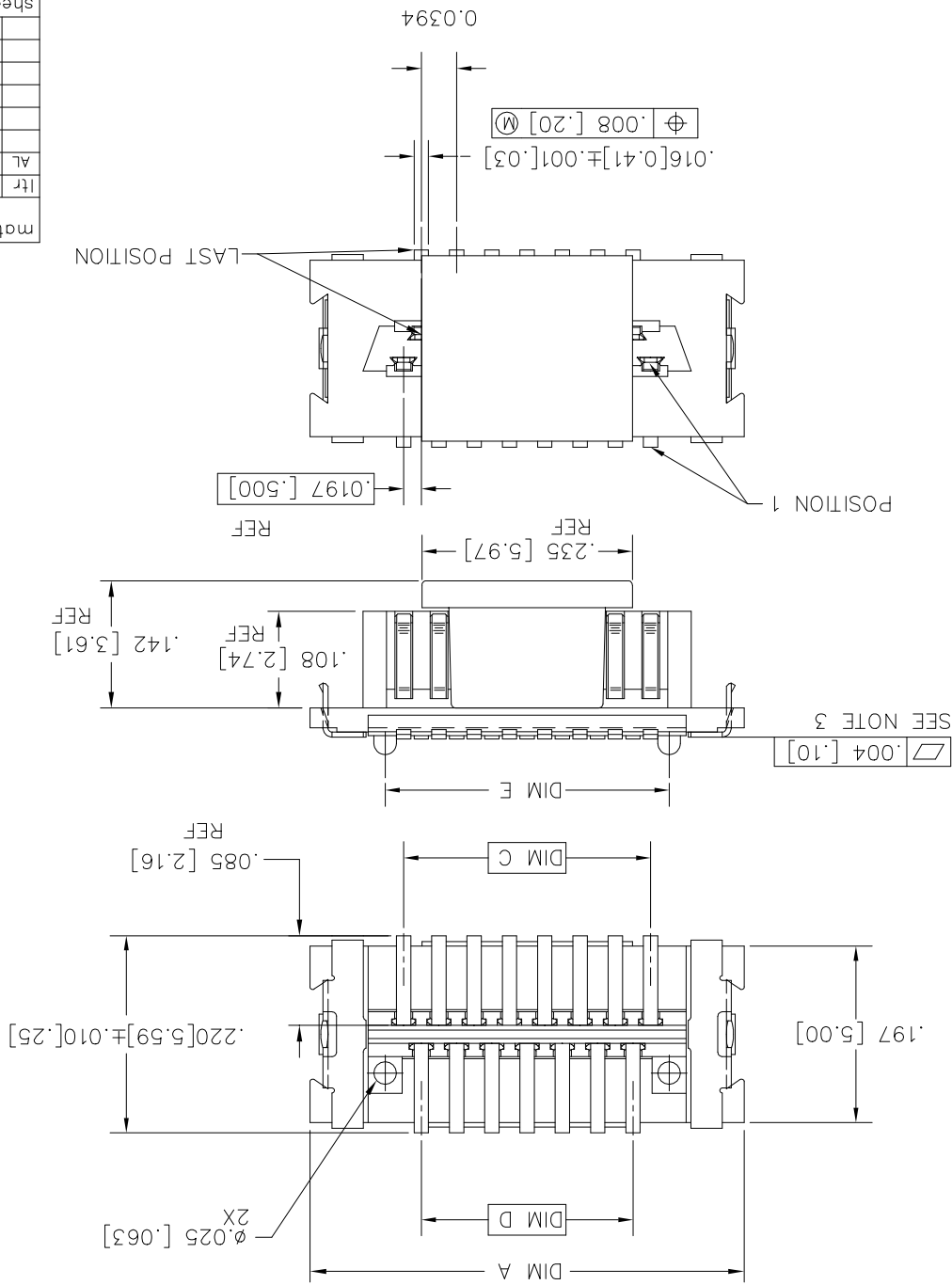


RECOMMENDED  
PAD LAYOUT



PRODUCT NUMBER  
SEE TABLE

PRODUCT NUMBER  
SEE TABLE



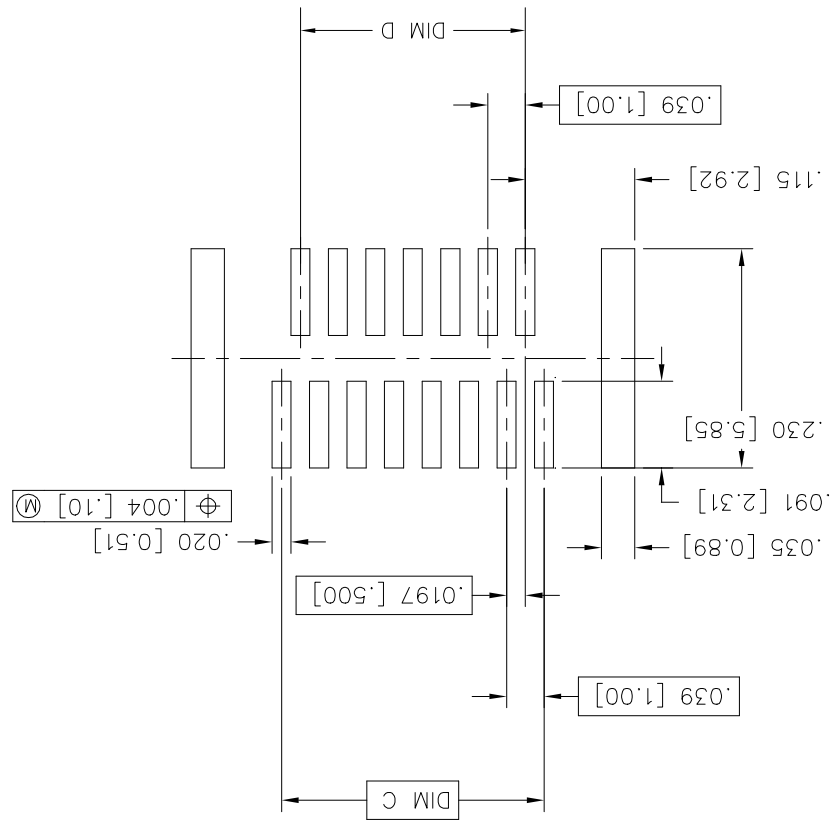
mat'l. code		surface	tolerance	projection	product family	CONAN®
itr ecn no dr date		ISO 1302	ISO 406 ISO 1101	1101	title	CONAN® CONNECTOR ASSEMBLY
angles		linear	.005±.20	INCH/MM	scale	1:1
.07x			.000±.10		dwg no	91900
dr		Eric Huang	10/11/15		type	Product Customer Drawing
engr		Eric Huang	10/11/15		sheet	4 of 7 size A3
chr					revision	
oppd		Tim Yao	10/11/15		sheet	
index						
sheet						

STATUS:Released Printed: Apr 28, 2017

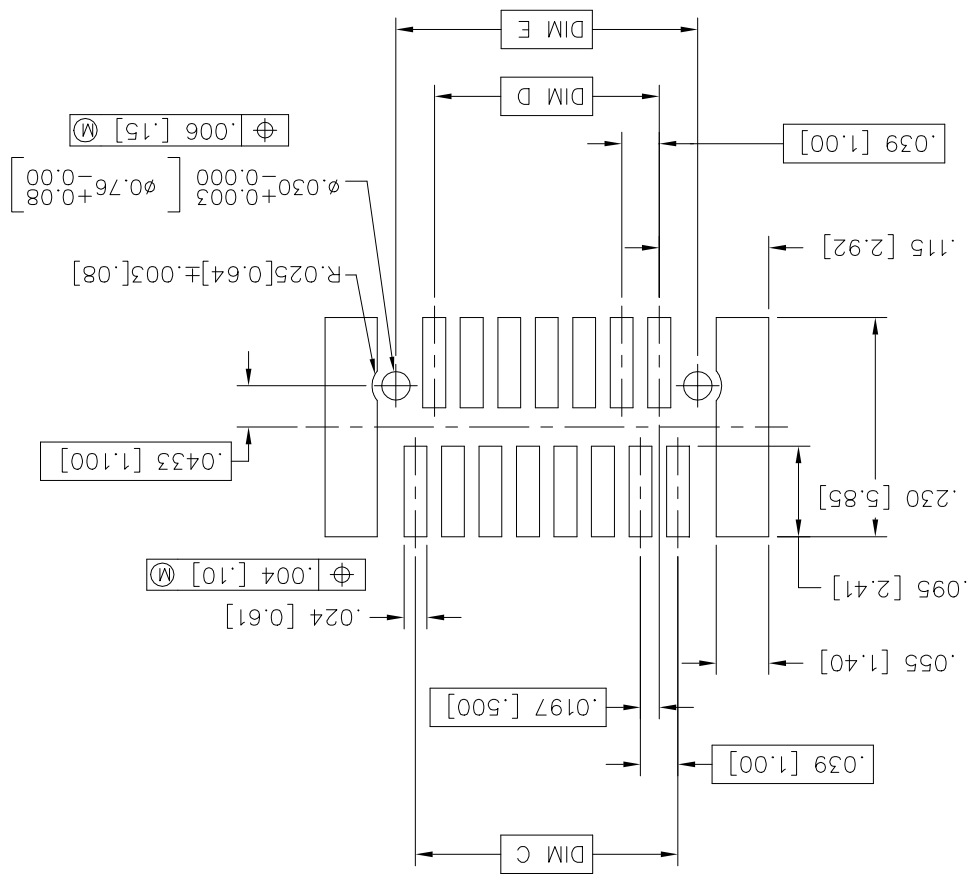
PDS: Rev:AL

mat'l. code	surface	ISO 1302	tolerance	ISO 406	ISO 1101	projection	product family	CONAN®
itr	ecn no	dr	date	tolerances unless otherwise specified	INCH/MM	scale 1:1	title	CONAN® CONNECTOR ASSEMBLY
AL	angles	linear	.00±.20	.0±.30	INCH/MM	scale 1:1	dwg no	91900
	0.7x	dr	Eric Huang	10/11/15	Amphenol FCI	type	Product Customer Drawing	
		chr	Tim Yao	10/11/15			sheet	
		engr	Eric Huang	10/11/15			revision	
		oppd	Tim Yao	10/11/15			index	
		sheet						

RECOMMENDED  
STENCIL LAYOUT  
FOR HEADER



RECOMMENDED  
PAD LAYOUT



PRODUCT NUMBER  
SEE TABLE

PRODUCT NUMBER	POS	DIM "A"	DIM "C"	DIM "D"	DIM "E"
9191C-WX109	9	.366 [9.30]	.157 [4.00]	.118 [3.00]	.1990 [5.055]
		-WX111LF			
		-WX111	.406 [10.30]	.197 [5.00]	.2380 [6.045]
		-WX115			
		-WX115LF	.484 [12.30]	.276 [7.00]	.3170 [8.052]
		-WX121			
		-WX121LF	.602 [15.30]	.394 [10.00]	.4350 [11.049]
		-WX125			
		-WX125LF	.681 [17.30]	.472 [12.00]	.5140 [13.056]
		-WX131			
		-WX131LF	.800 [20.30]	.591 [15.00]	.6320 [16.053]
		-WX141			
		-WX141LF	.996 [25.30]	.787 [20.00]	.8290 [21.057]
		-WX151			
		-WX151LF	1.193 [30.30]	.984 [25.00]	.945 [24.00]
		-WX169			
		-WX169LF	1.547 [39.30]	1.339 [34.00]	1.299 [33.00]
	69				1.3800 [35.052]

- NOTES:
- MATERIALS:  
RECEPTACLE HOUSING - LCP, UL-94V-0. COLOR: NATURAL.  
RECEPTACLE TERMINALS - COPPER ALLOY,  
PLATED WITH 15u"/.38u GXTM IN CONTACT AREA  
AND 100u"/2.54u Sn ON SOLDER LEGS WITH  
AN OVERALL 50u"/1.27u Ni UNDERPLATE.
  - HEADER HOUSING - LCP, UL-94V-0. COLOR: NATURAL.  
HEADER TERMINALS - COPPER ALLOY,  
PLATED WITH 15u"/.38u GXTM IN CONTACT AREA  
AND 100u"/2.54u Sn ON SOLDER LEGS WITH  
AN OVERALL 50u"/1.27u Ni UNDERPLATE.
  - RETENTION DEVICE - BRASS,  
PLATED WITH 100u"/2.54u Sn OVER NICKEL.
  - REFERENCE GS-12-006 FOR PRODUCT PERFORMANCE DATA.
  - SEE TA-774 FOR FURTHER DESCRIPTION OF  
HOW THIS DIMENSION IS APPLIED.
  - PICK AND PLACE CAP OR TAPE IS ONLY AVAILABLE WITH  
OPTION 3 PACKAGING. (PSA ADHESIVE SEALED).  
ALSO, PSA PACKAGING REQUIRES A PICK AND  
PLACE CAP.
  - RECOMMENDED SOLDER PASTE THICKNESS IS  
.006 TO .008 INCHES THICK.
  - THE TOE HEIGHT OF THE SOLDER TAIL SHALL BE  
MEASURED FROM THE LOWEST POINT OF THE .004  
CO-PLANARITY GRAVITY PLANE. THIS MEASUREMENT  
IS NOT TO EXCEED A WINDOW OF .000 TO .007 INCHES.
  - THREE SLOTS MAY BE LOCATED AT EITHER END OF  
HOUSING.
  - 5.50mm MATED HEIGHT IS ONLY AVAILABLE  
IN 9, 15 AND 31 POS.
  - 7.50mm MATED HEIGHT IS ONLY AVAILABLE  
IN 9 POS.
  - APPLIES TO 91921-3XYZZ AND  
91931-3XYZZ OPTIONS ONLY.
  - THE HOUSING WILL WITHSTAND EXPOSURE TO 260°C PEAK TEMPERATURE  
FOR 30 SECONDS IN A CONVECTION INFRA RED OR VAPOR PHASE  
REFLOW OVEN. SEE APPLICATION/PROCEDURES IF THEY ARE AVAILABLE
  - PRODUCT WITH "LF" AT THE END MEETS EUROPEAN UNION DIRECTIVES AND OTHER  
COUNTRY REGULATION AS DESCRIBED IN GS-22-008.

mat'l. code	ISO 1302	ISO 406	ISO 1101	projection	product family	CONAN®
tr ecn no	dr	date	tolerances unless otherwise specified	AL	title	CONAN® CONNECTOR ASSEMBLY
angles	line ar	.00±.20	.0±.30	INCH/MM	scale	1:1
0±x'		.000±.10			dwg no	91900
dr	Eric Huang	10/11/15			sheet of 7 size	A3
eng	Eric Huang	10/11/15			type	Product Customer Drawing
chr						
appd	Tim Yao	10/11/15				
revision						
sheet						
index						

CONAN® ASSEMBLY PART NUMBER

919 T C - W X Y Z Z LF

LEAD FREE OPTION  
SEE NOTE 12

T	HEADER WITH NO PEGS
0	HEADER WITH PEGS
1	HEADER WITH NO PEGS
2	RECEPTACLE WITH NO PEGS
3	RECEPTACLE WITH PEGS

C	PICK AND PLACE CAP OR TAPE (NOTE 4)
0	WITHOUT CAP OR TAPE
1	WITH CAP
2	WITH TAPE (RECEPTACLE ONLY)

W	PACKAGING
2	TUBE
3	PRESSURE SEALED TAPE & REEL

X	PLATING
1	15u"/.38u GXT™
2	50u"/.76u GXT™

Y	HEADER HEIGHT	.034 [.86]	1	.129 [3.28]	.163 [4.15]
	RECEPTACLE MATED HEIGHT	-.008			
	RECEPTACLE HEIGHT	+.010			
	RECEPTACLE MATED HEIGHT	+.25			
	RECEPTACLE HEIGHT	-.20			
	SEE Y=1 FOR ALL RECEPTACLES				
			2	.177 [4.50]	
			3	.197 [5.00]	
			4	.107 [2.72]	
			5	.1465 [3.721]	
			6	.088 [2.23]	
			7	.1665 [4.229]	
					.216 [5.50]
					.296 [7.52]

ZZ	NUMBER OF POSITIONS	9
09		11
11		15
15		21
21		25
25		31
31		41
41		51
51		69
69		

EXAMPLE: 91921-31125LF  
IS A CONAN® RECEPTACLE ASSEMBLY,  
HAVING NO PEGS AND WITH A PICK AND PLACE CAP.  
IT ALSO HAS GXT™ PLATING, IS .13 [3.2] HIGH AND 25  
POSITIONS AND IS PACKAGED IN PRESSURE SEALED TAPE,  
REEL AND LEAD FREE.

mat'l. code	ISO 1302	surface tolerance	ISO 406 ISO 1101	projection	product family	CONAN®
tr ecn no	dr	date	tolerances unless otherwise specified	1101	title	CONAN® CONNECTOR ASSEMBLY
AL	angles	line ar	.0±.30	INCH/MM	scale	1:1
	0±x'		.000±.10		dwg no	91900
	chr	eng	10/11/15	Eric Huang	sheet 7 of 7 size	A3
	dr	eng	10/11/15	Eric Huang	type	Product Customer Drawing
	appd	Tim Yao	10/11/15		revision	
sheet	revision	index	sheet			

## X-ON Electronics

Largest Supplier of Electrical and Electronic Components

*Click to view similar products for [Board to Board & Mezzanine Connectors](#) category:*

*Click to view products by [Amphenol](#) manufacturer:*

Other Similar products are found below :

[10135583-642402LF](#) [89885-310LF](#) [589158040000018](#) [6-1393048-0](#) [68683-613](#) [MDF7-12DP-2.54DSA](#) [MDF7-18P-2.54DSA\(01\)](#) [MDF7-20DP-2.54DSA](#) [MDF7-26D-2.54DSA\(55\)](#) [MDF7-3P-2.54DSA\(01\)](#) [MDF7B-3P-2.54DSA\(55\)](#) [MDF7C-11P-2.54DSA\(55\)](#) [MDF7C-18P-2.54DSA\(55\)](#) [MDF7C-5P-2.54DSA\(01\)](#) [MDF7P-5P-2.54DSA\(55\)](#) [75234-0516](#) [FCN-230C068-11](#) [FCN-268F012-G/BD](#) [FCN-268F036-G/BD](#) [FCN-268M012-G/0D](#) [FCN-268M024-G/1D](#) [FCN-360C008-C](#) [FCN-360C040-C](#) [FCN-723J004/1](#) [MIS-048-01-F-D-DP-K](#) [832-10-034-10-001000](#) [93696-325LF](#) [11828-1FA](#) [AXK630345P](#) [18097-0013](#) [ICA-328STT](#) [2007042-2](#) [304400-2](#) [FCN-214Q030-G/0](#) [FCN-215Q040-G/0](#) [FCN-230C068-ESA](#) [FCN-234P048-G/0](#) [FCN-235D050-G/C](#) [FCN-360A3](#) [FCN-360C040-B](#) [210-93-314-41-105000](#) [2-22603-0](#) [379-064-521-202](#) [MDF7-12P-2.54DSA\(01\)](#) [MDF7-16P-2.54DS\(56\)](#) [MDF7-40DP-2.54DSA\(55\)](#) [MDF7-8P-2.54DSA\(55\)](#) [MDF7B-16P-2.54DSA\(55\)](#) [AXG720047](#) [5031084030](#)