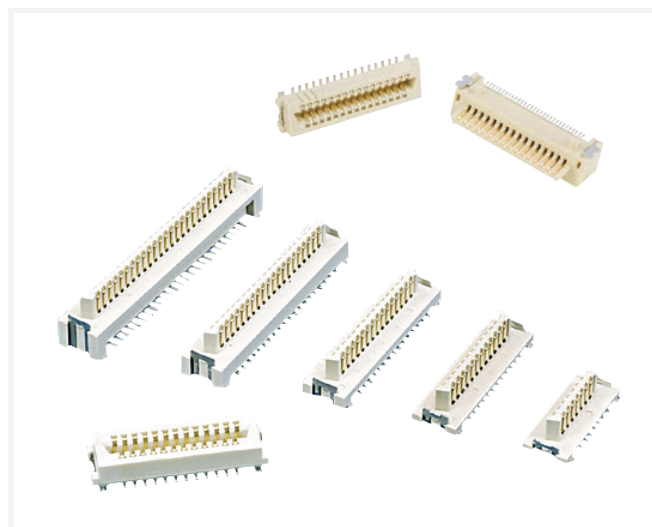


# Conan<sup>®</sup> 1.00mm Connector System

## SECURE, HIGH SPEED DESIGN FOR HARSH ENVIRONMENTS

Amphenol ICC's Conan<sup>®</sup> 1.00mm is a mezzanine connector designed for industrial applications and harsh environments. Its unique design with an audible "click" sound enhances the security and ease of use.

- New right angle configuration in 4 pin counts
- Right angle configurations has compact size of 8.5mm depth and 5.3mm height on PCB after mating
- Enables perpendicular stacking application



### TARGET MARKETS



### FEATURES

- Vertical configuration
  - 9 to 69 positions
  - 4.15mm to 7.0mm stack heights increment
- Right angle configuration
  - 31, 41, 51, 69 position increment
- Vertical housing and terminal profile guarantees support of up to 5Gb/s
- Vertical versus vertical mating configuration
- Vertical receptacle versus RA header mating configuration
- Audible "click" sound during mating
- Polarization feature of housing
- Multiple packaging options available
- Locating pegs option
- Metal hold down option
- RoHS compliant and lead free

### BENEFITS

- Comprehensive range of sizes and stack heights support diverse electronic packaging schemes
- Comprehensive solution to satisfy all customers needs
- Compatible with PCIe<sup>®</sup> Gen high speed performance on selected stack heights
- Useful for parallel board stacking application
- Useful for perpendicular stacking application
- Ensures secure mating interconnection
- Prevents mismating
- Meets various feeding processing needs
- Facilitates ease and accuracy during manual assembly
- Enables better retention on to the PCB
- Meets environmental, health and safety requirements

## TECHNICAL INFORMATION

### MATERIAL

- Contact Base Metal
  - Header: Phosphor Bronze
  - Receptacle: Copper Alloy, High Spring
- Contact Area Finish: Gold or GXT®
- Solder Tail Area: Pure Tin over 1.27µm Nickel
- Housing Material: Cream-colored LCP (UL94V-0)

### MECHANICAL PERFORMANCE

- Mating Force: 125g per contact max.
- Unmating Force: 25g per contact min.
- Retention Force (connector to PCB): 44N min.
- Contact Wipe: 0.64mm
- Durability: 30 mating cycles

### ELECTRICAL PERFORMANCE

- Insulation Resistance: 1000MΩ min.
- Contact Resistance: 30MΩ max.
- Withstanding Voltage: 500VAC RMS 60Hz
- Current Rating: 1.0A continuous (per contact, all contacts powered)
- Signal Integrity (differential pairs, connector only)
  - Impedance: 100Ω +/- 10 @ 50 ps edge (10-90%)
  - Insertion Loss: < 1.5dB up to 5GHz
  - NEXT: ≤ 3.5% for a 50 ps edge (10-90%)
  - FEXT: ≤ 2.5% for a 50 ps edge (10-90%)

### ENVIRONMENTAL

- IMFG per EIA 364-65 class 2a without SO2, 20 days mated
- High Temperature Life: 105°C

### SPECIFICATIONS

- Product Specification: GS-12-006

### PACKAGING

- Tape and reel with vacuum pickup caps

### TARGET MARKETS/APPLICATIONS



Communications and Networking Equipment



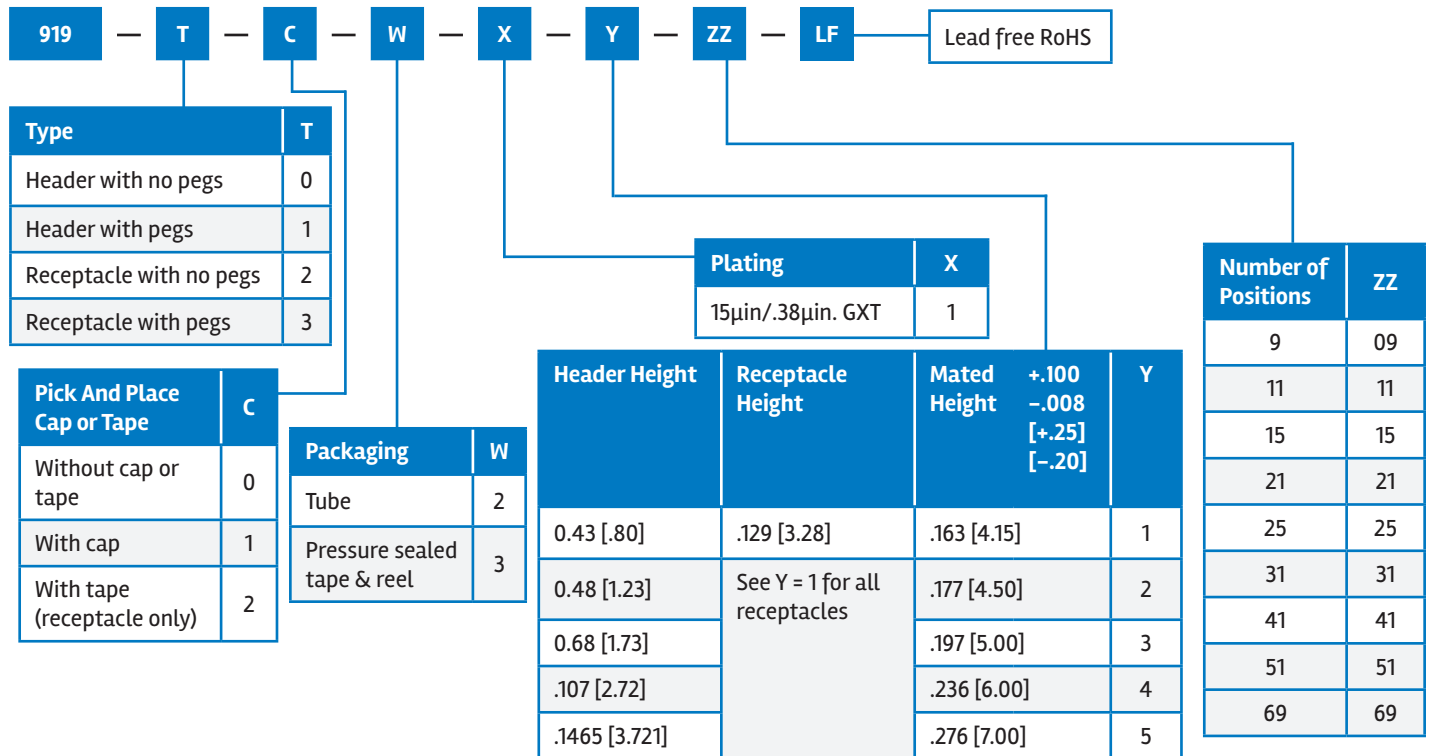
Electronic Security  
Energy Controller/Module/Display  
Machine-to-Machine (M2M) Office  
Equipment  
Point-of-Sale Equipment, Scanning  
Portable Meter/Instrument



Medical Diagnostics

## PART NUMBER SELECTOR

### VERTICAL



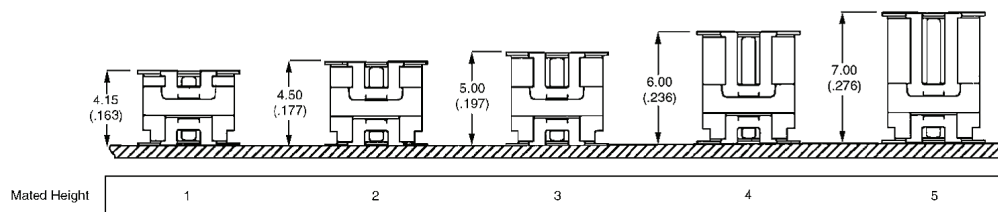
Recommended packaging combinations:

For production: Connector with pick and place cap packaged in tape and reel (XXXX1-3XXXX)

For proto-typing: Connector without pick and place cap packaged in tubes (XXXX0-2XXXX)

For commercial applications see print 10118744

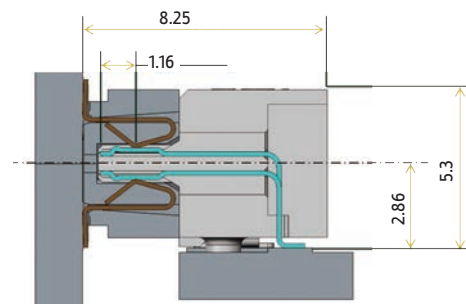
### MODULE



Mated connector max. width: 5.59mm

### RIGHT ANGLE

| Description                             | Part Numbers      |
|---|-------------------|
| Conan® right angle header, 31 positions | 10138400-111131LF |
| Conan® right angle header, 41 positions | 10138400-111141LF |
| Conan® right angle header, 51 positions | 10138400-111151LF |
| Conan® right angle header, 69 positions | 10138400-111169LF |



BASICS/CONAN061E44

## X-ON Electronics

Largest Supplier of Electrical and Electronic Components

*Click to view similar products for [Board to Board & Mezzanine Connectors](#) category:*

*Click to view products by [Amphenol](#) manufacturer:*

Other Similar products are found below :

[589158040000018](#) [MDF7C-18P-2.54DSA\(55\)](#) [FCN-230C068-11](#) [FCN-268F012-G/BD](#) [FCN-268F036-G/BD](#) [FCN-268M012-G/0D](#) [FCN-268M024-G/1D](#) [FCN-723J004/1](#) [MIS-048-01-F-D-DP-K](#) [832-10-034-10-001000](#) [FX4C-80S-1.27DSA](#) [FCN-214Q030-G/0](#) [FCN-234P048-G/0](#) [FCN-235D050-G/C](#) [210-93-314-41-105000](#) [2-22603-0](#) [MDF7-40DP-2.54DSA\(55\)](#) [AXG720047](#) [MIT-114-03-F-D-K](#) [55323-1519](#) [DF33-2P-3.3DSA\(24\)](#) [YFT-20-05-H-03-SB-K](#) [503308-3040](#) [026-6203-PDB](#) [027-6203-PDB](#) [069159702701000](#) [10123981-102LF](#) [101A10019X](#) [55650-0588-C](#) [68682-310LF](#) [68684-306](#) [75140-7012](#) [87471-650](#) [YTW-30-07-H-Q-410-140](#) [FCN-268F024-G0D](#) [10124054-515LF](#) [68685-603](#) [8-1616154-3](#) [MIS-019-01-F-D](#) [FCN-268M024-G/3D](#) [FCN-268M036-G/BD](#) [20021832-06016C1LF](#) [KX15-20KLDL-E1000E](#) [AXE810124](#) [FCN-214J100-G/0](#) [FCN-230C068-E/S](#) [AXE812124](#) [AXE816124](#) [AXE720127](#) [354184](#)