

NOTES:

1. MATERIALS AND FINISHES:

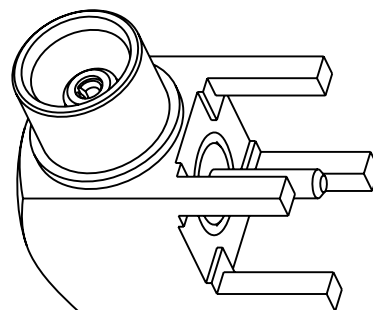
- BODY - BRASS, NICKEL PLATING (.000100" MIN. THICK)
- HOUSING - BRASS, MATTE-TIN PLATING (.000100" MIN. THICK)
- CONTACT - BeCu, GOLD PLATING (.000003" MIN. THICK)
- INSULATOR - PTFE, NATURAL

2. ELECTRICAL:

- A. IMPEDANCE: 50 OHM
- B. FREQUENCY RANGE: DC - 6 GHz
- C. D.W.V: 1000 VRMS, MIN.

3. MECHANICAL:

- A. DURABILITY: 500 CYCLES MIN.
- B. TEMPERATURE RANGE: -65°C TO +165°C

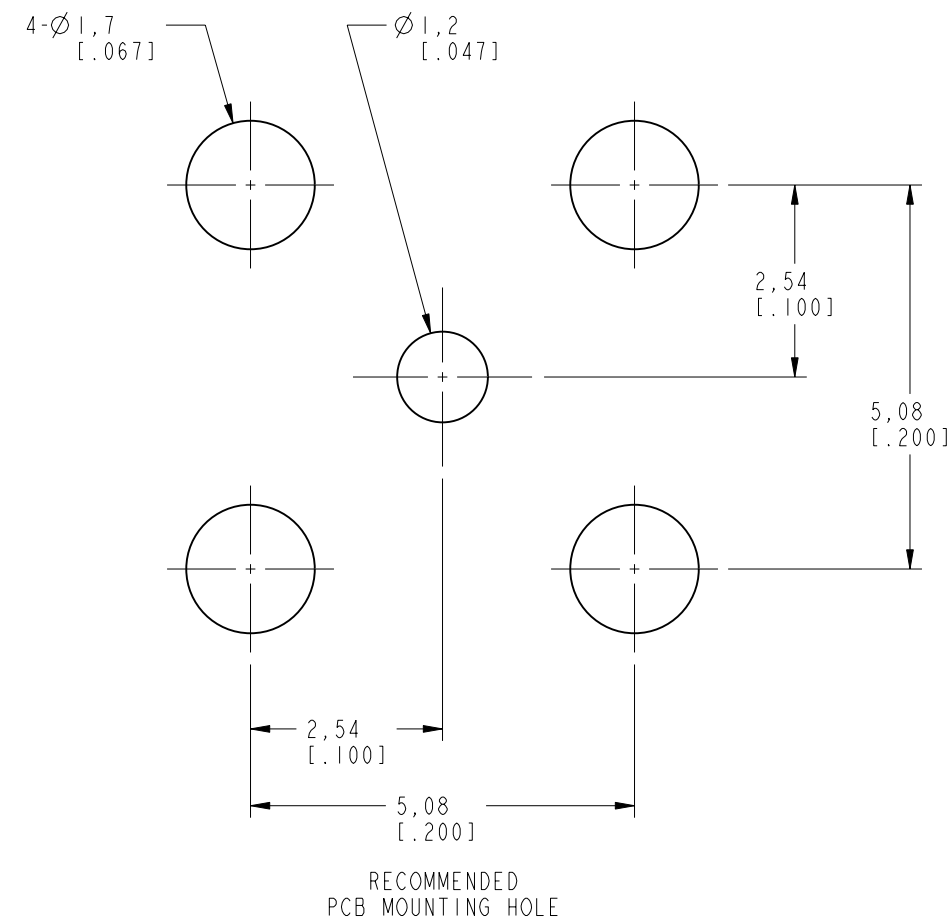
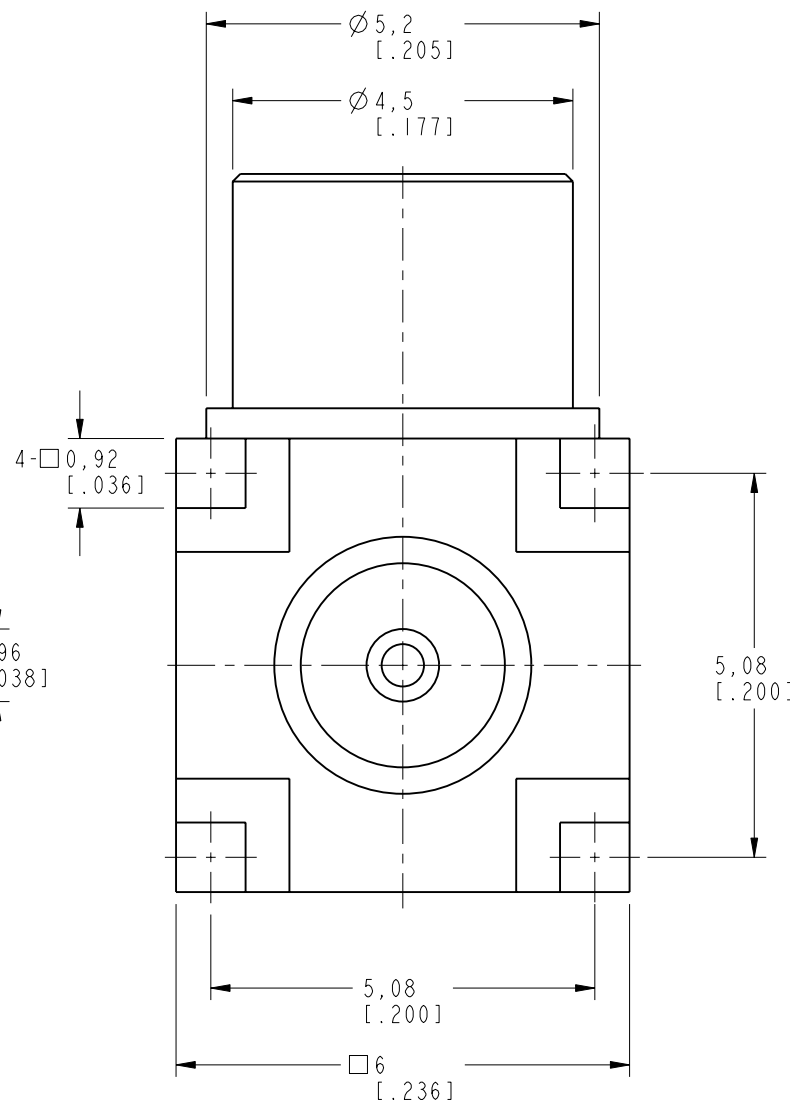
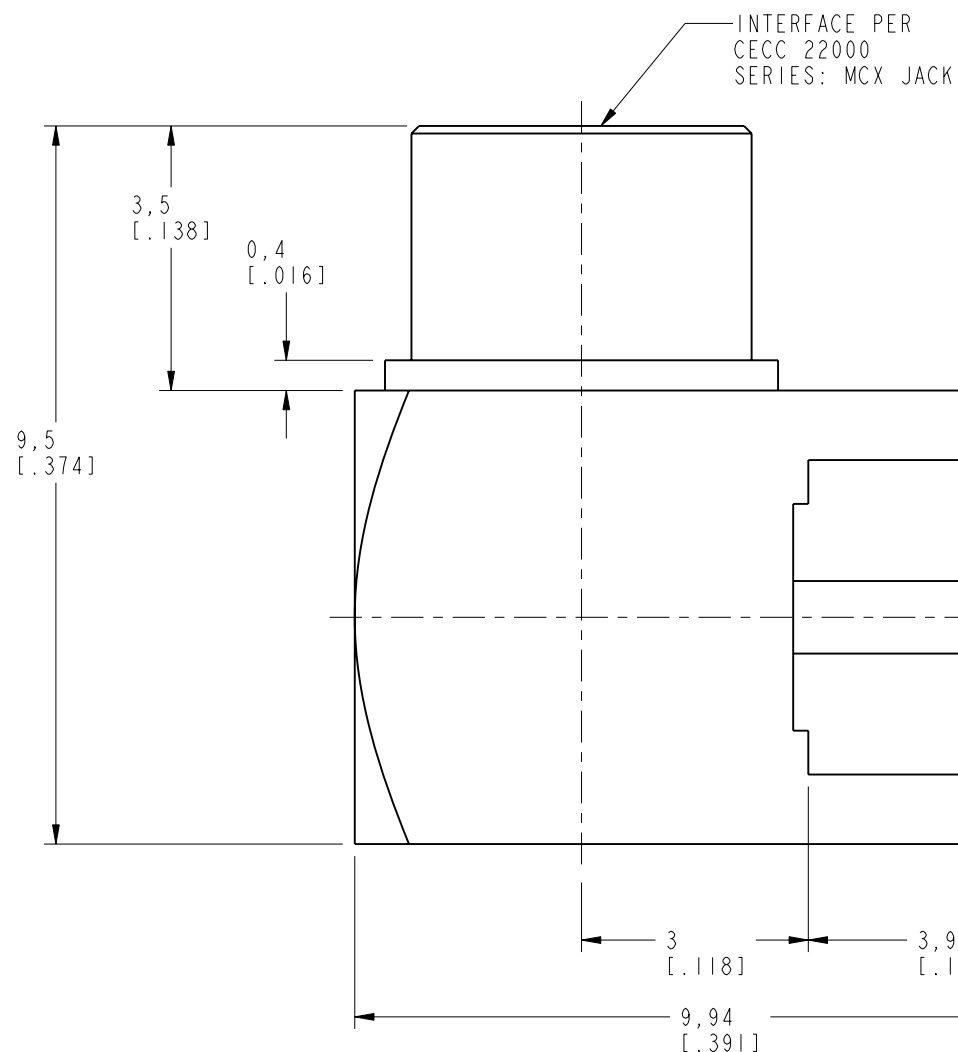


SCALE 4.000

THIRD ANGLE PROJ.

REVISIONS

REV	DESCRIPTION	DATE	ECO	APPR
A	RELEASE TO MFG.	04-Jul-16	01326	MZ



CUSTOMER OUTLINE DRAWING
ALL OTHER SHEETS ARE FOR INTERNAL USE ONLY

UNLESS OTHERWISE SPECIFIED, DIMENSIONS ARE IN METRIC AND TOLERANCES ARE:
 <math>< 0.5\text{mm}</math> $0.5 - 6\text{mm}$ $6 - 30\text{mm}$ $30 - 120\text{mm}$ ANGLES
 ± 0.05mm ± 0.1mm ± 0.2mm ± 0.3mm ± 1°

NOTICE - These drawings, specifications, or other data (1) are, and remain the property of Amphenol corp. (2) must be returned upon request; and (3) are confidential and not to be disclosed to any person other than those to whom they are given by Amphenol Corp. the furnishing of these drawings, specifications, or other data by Amphenol Corp., or to any other person to anyone for any purpose is not to be regarded by implication or otherwise in any manner licensing, granting rights to permitting such holder or any other person to manufacture, use or sell any product, process or design, patented or otherwise, that may in any way be related to or disclosed by said drawings, specifications, or other data.

MATERIAL	
REFERENCE	SAME AS MCX6252B1-3GT30G-50 EXCEPT PLATING CONFIGURATION LEVEL: In Work
FINISH	

DRAWN	M. ZHANG	DATE	04-Jul-16
ENGINEER	S. DUAN	DATE	04-Jul-16
APPROVED	S. HSIEH	DATE	06-Jul-16
CAD FILE			

TITLE	
MCX R/A P.C. BOARD RECEPT. JACK (3.94 LEGS - MATTE TIN)	
SCALE: 10.0:1.0	SHEET 2 OF 2
DWG SIZE	REV
B	A

Amphenol RF	
www.amphenolrf.com	
DRAWING NO. 919-383J-51A	
ITEM NO. 919-383J-51A	
PART NO. 919-383J-51A	

X-ON Electronics

Largest Supplier of Electrical and Electronic Components

Click to view similar products for [RF Connectors / Coaxial Connectors](#) category:

Click to view products by [Amphenol](#) manufacturer:

Other Similar products are found below :

[8915-1511-000](#) [89674-0827](#) [6001-7071-019](#) [6002-7051-003](#) [6002-7551-202](#) [6059674-1](#) [619550-1](#) [630059-000](#) [M39030/3-01N](#) [6500-7071-046](#) [6769](#) [CX050L2AQ](#) [7002-1542-011](#) [7004-1512-000](#) [7009-1511-004](#) [7010-1511-000](#) [7029-1511-060](#) [7101-1541-010](#) [7101-1571-002](#) [7105-1521-002](#) [7145-1521-002](#) [7203-1571-003](#) [7209-1511-011](#) [7210-1511-015](#) [7210-1511-019](#) [73137-5015](#) [73216-2241](#) [73404-2300](#) [7405-1521-005](#) [7405-1521-802](#) [7406-1521-005](#) [8527](#) [8547](#) [FS11V](#) [8808-1511-001](#) [9049-9513-000](#) [9074-9513-000](#) [9101-9573-002](#) [910A205F](#) [9130-9573-002](#) [PL11SC-026](#) [PL375-33](#) [PL40-5](#) [PL71-9](#) [PL74C-221](#) [PL75MC-217](#) [PL803-7](#) [980-8666-005](#) [1200690078](#) [1-201144-1](#)