

NOTES:

1. MATERIALS AND FINISHES:

BODY - BRASS, GOLD PLATING (.000003" MIN. THICK)
 CONTACT - BeCu, GOLD PLATING (.000005" MIN. THICK)
 INSULATOR - PTFE, NATURAL
 KAPTON FILM - POLYIMIDE, AMBER

2. ELECTRICAL:

A. IMPEDANCE: 50 OHM
 B. FREQUENCY RANGE: DC - 6 GHz
 C. D.W.V: 1000 VRMS, MIN.

3. MECHANICAL:

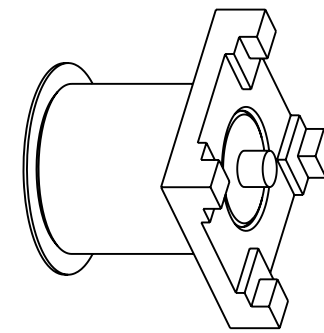
A. DURABILITY: 500 CYCLES MIN.
 B. TEMPERATURE RANGE: -65°C TO +165°C

4. PACKAGING: TAPE & REEL PACKAGING, 800 PCS/REEL

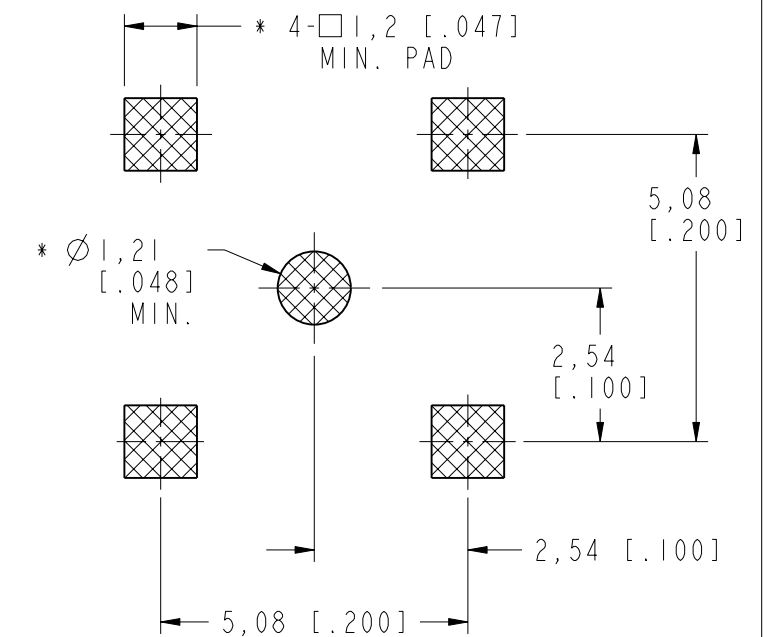
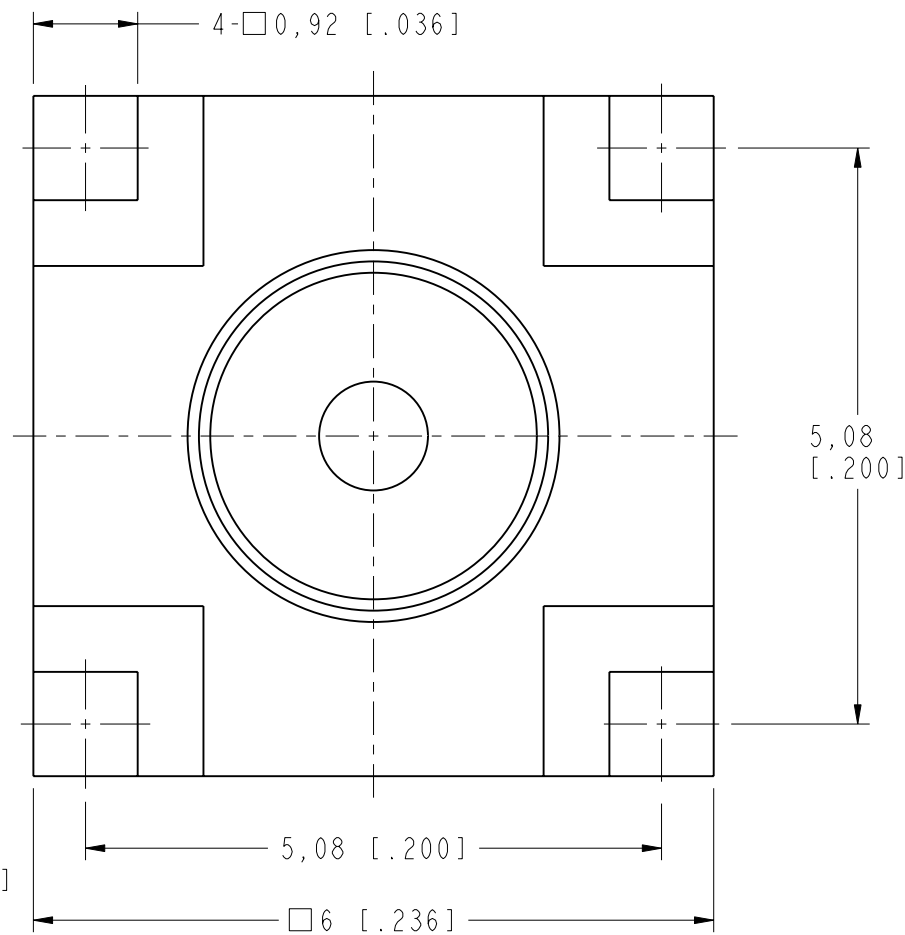
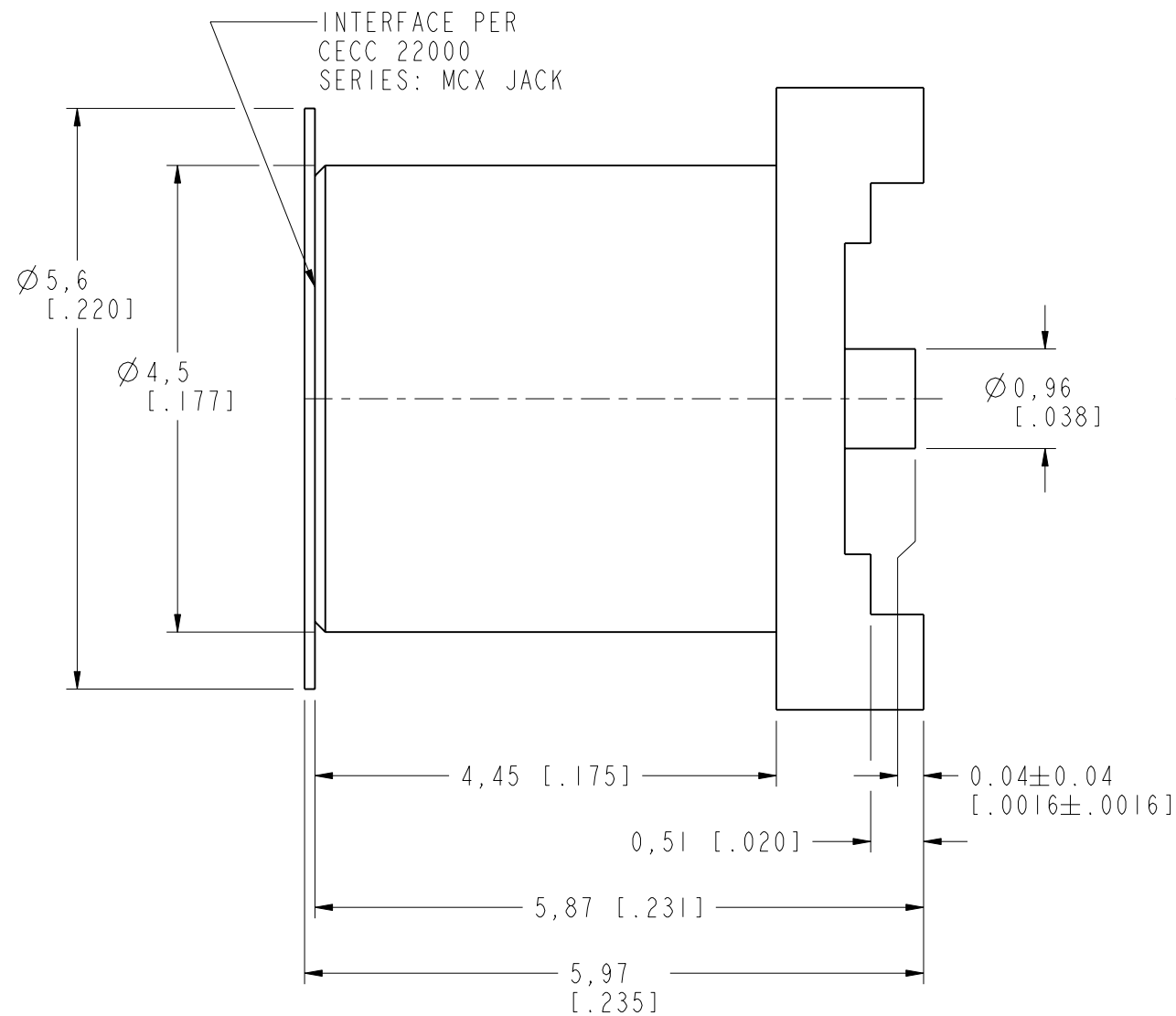
THIRD ANGLE PROJ.

REVISIONS

REV	DESCRIPTION	DATE	ECO	APPR
A	RELEASE TO MFG.	09-Apr-18	07170	MZ



SCALE 5.000



RECOMMENDED
 PCB MOUNTING HOLE
 * PAD DIMENSIONS MAY NEED
 TO BE ADJUSTED FOR
 RF PERFORMANCE

CUSTOMER OUTLINE DRAWING

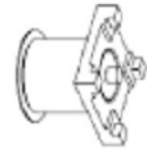
ALL OTHER SHEETS ARE FOR INTERNAL USE ONLY

UNLESS OTHERWISE SPECIFIED, DIMENSIONS ARE IN METRIC AND TOLERANCES ARE: <0.5mm ±0.05mm 0.5 - 6mm ±0.1mm 6 - 30mm ±0.2mm 30 - 120mm ±0.3mm ANGLES ±1°	MATERIAL	DRAWN M. ZHANG	DATE 09-Apr-18	TITLE MCX P.C. BOARD RECEPT. JACK, TAPE & REEL (SURFACE MOUNT-50 OHMS)	Amphenol RF www.amphenolrf.com
		ENGINEER S. DUAN	DATE 01-Feb-18		
NOTICE - These drawings, specifications, or other data (1) are, and remain the property of Amphenol corp. (2) must be returned upon request; and (3) are confidential and not to be disclosed to any person other than those to whom they are given by Amphenol Corp. the furnishing of these drawings, specifications, or other data by Amphenol Corp., or to any other person to anyone for any purpose is not to be regarded by implication or otherwise in any manner licensing, granting rights to permitting such holder or any other person to manufacture, use or sell any product, process or design, patented or otherwise, that may in any way be related to or disclosed by said drawings, specifications, or other data.	REFERENCE SAME AS 919-384J-51P EXCEPT TAPE & REEL PACK CONFIGURATION LEVEL: In Work	APPROVED S. HSIEH	DATE 09-Apr-18	SCALE: 15.0:1.0 SHEET 2 OF 3	DRAWING NO. 919-384J-51PT
	FINISH	CAD FILE	DWG SIZE B	REV A	ITEM NO. 919-384J-51PT

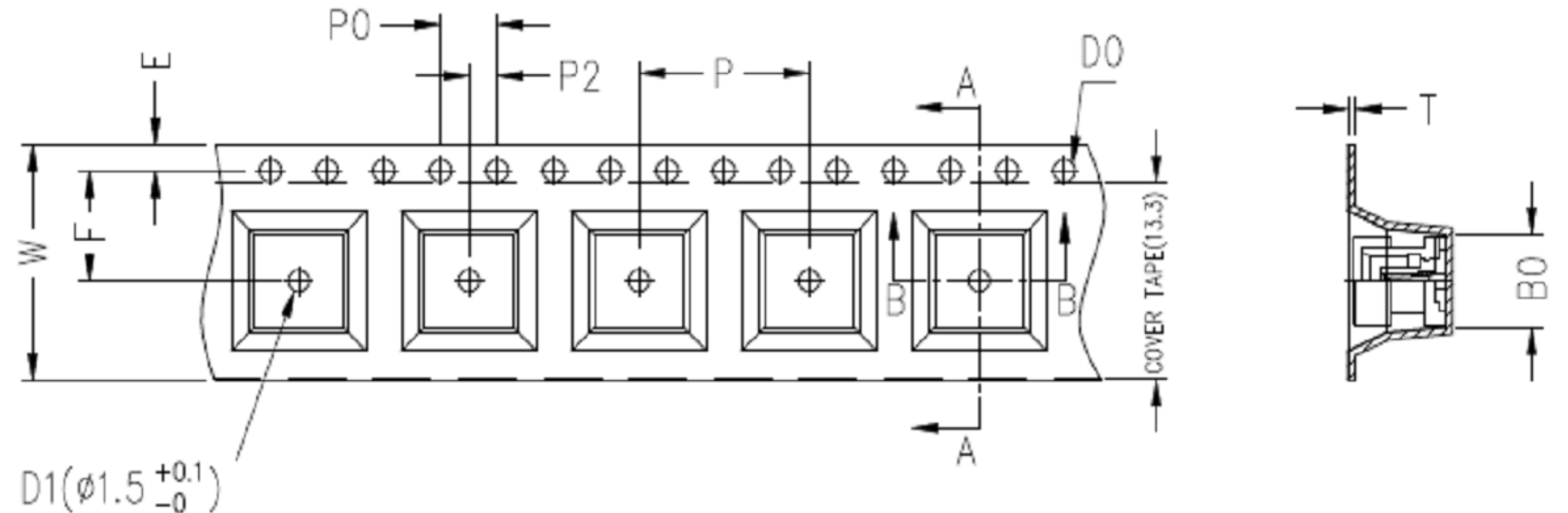
THIRD ANGLE PROJ.

REVISIONS

REV	DESCRIPTION	DATE	ECO	APPR
A	RELEASE TO MFG.	09-Apr-18	07170	MZ



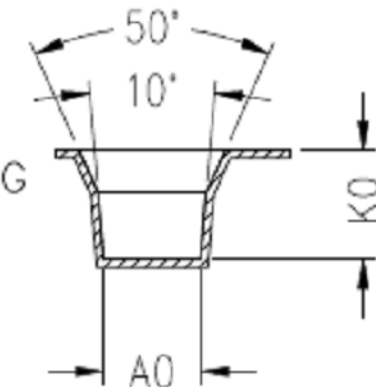
919-384J-51P



SECTION A-A



客户取件方向
USER DIRECTION OF UNREELING



SECTION B-B

1. 10 sprocket hole pitch cumulative tolerance ± 0.20 mm.
2. Carrier camber not to exceed 1mm in 250 mm.
3. A_0 and B_0 measured on a plane 0.3mm above the bottom of the pocket.
4. K_0 measured from a plane on the inside bottom of the pocket to the top surface of the carrier.
5. All dimensions meet EIA-481-D requirements.
6. Material: Carrier TAPE, Black PS; REEL, Blue (RoHS Compliant)
7. Thickness: 0.50 ± 0.05 mm.
8. Packing length per 13" reel: 10.6 Meters.
9. Component loader per 13" reel: 800 pcs.

注: 未注公差为: ± 0.10

NOTE: ALL TOLERANCES ARE: ± 0.10 , EXCEPT WHERE NOTED

ITEM	W	A_0	B_0	K_0	K_1	P	F	E	D_0	D_1	P_0	P_2	T
DIM	16 ± 0.3	6.3 ± 0.1	6.3 ± 0.1	6.40 ± 0.1	/	12 ± 0.1	7.5 ± 0.1	1.75 ± 0.1	1.5 ± 0.05	/	4.0 ± 0.1	2.0 ± 0.1	0.50 ± 0.05

UNLESS OTHERWISE SPECIFIED, DIMENSIONS ARE IN METRIC AND TOLERANCES ARE:
 < 0.5mm ± 0.05 mm 0.5 - 6mm ± 0.1 mm 6 - 30mm ± 0.2 mm 30 - 120mm ± 0.3 mm ANGLES $\pm 1^\circ$

NOTICE - These drawings, specifications, or other data (1) are, and remain the property of Amphenol corp. (2) must be returned upon request; and (3) are confidential and not to be disclosed to any person other than those to whom they are given by Amphenol Corp. the furnishing of these drawings, specifications, or other data by Amphenol Corp., or to any other person to anyone for any purpose is not to be regarded by implication or otherwise in any manner licensing, granting rights to permitting such holder or any other person to manufacture, use or sell any product, process or design, patented or otherwise, that may in any way be related to or disclosed by said drawings, specifications, or other data.

MATERIAL	DRAWN M. ZHANG	DATE 09-Apr-18
REFERENCE SAME AS 919-384J-51P EXCEPT TAPE & REEL PACK CONFIGURATION LEVEL: In Work	ENGINEER S. DUAN	DATE 01-Feb-18
FINISH	APPROVED S. HSIEH	DATE 09-Apr-18
	CAD FILE	

TITLE MCX P.C. BOARD RECEPT. JACK, TAPE & REEL (SURFACE MOUNT-50 OHMS)	
SCALE: 16.0:1.0	SHEET 3 OF 3
DWG SIZE B	REV A

Amphenol RF www.amphenolrf.com	
DRAWING NO.	919-384J-51PT
ITEM NO.	919-384J-51PT
PART NO.	919-384J-51PT

X-ON Electronics

Largest Supplier of Electrical and Electronic Components

Click to view similar products for [RF Connectors / Coaxial Connectors](#) category:

Click to view products by [Amphenol](#) manufacturer:

Other Similar products are found below :

[8915-1511-000](#) [89674-0827](#) [6001-7071-019](#) [6002-7051-003](#) [6002-7551-202](#) [6059674-1](#) [619550-1](#) [630059-000](#) [M39030/3-01N](#) [M3933/25-36N](#) [6500-7071-046](#) [6769](#) [CX050L2AQ](#) [7002-1542-011](#) [7004-1512-000](#) [7009-1511-004](#) [7010-1511-000](#) [7029-1511-060](#) [7101-1541-010](#) [7101-1571-002](#) [7105-1521-002](#) [7145-1521-002](#) [7203-1571-003](#) [7209-1511-011](#) [7210-1511-015](#) [7210-1511-019](#) [73137-5015](#) [73216-2241](#) [7325-1512-000](#) [73404-2300](#) [7405-1521-005](#) [7405-1521-802](#) [7406-1521-005](#) [8527](#) [8547](#) [FS11V](#) [8808-1511-001](#) [9049-9513-000](#) [9074-9513-000](#) [9101-9573-002](#) [910A205F](#) [9130-9573-002](#) [PL11SC-026](#) [PL375-33](#) [PL40-5](#) [PL71-9](#) [PL74C-221](#) [PL75MC-217](#) [PL803-7](#) [980-8666-005](#)