

NOTES:

1. MATERIALS AND FINISHES:

BODY - BERYLLIUM COPPER - GOLD PLATED (.000030" MIN)
 CONTACT - BERYLLIUM COPPER - GOLD PLATED (.000030" MIN)
 SLEEVE - BERYLLIUM COPPER - GOLD PLATED
 INSULATORS - PTFE

2. ELECTRICAL:

A. IMPEDANCE = 75 OHM, NOMINAL
 B. FREQUENCY RANGE = DC TO 1.0 GHz
 C. RETURN LOSS = -25 dB MAXIMUM
 D. INSERTION LOSS = 0.05 dB MAXIMUM
 E. ISOLATION = -70 db MAXIMUM

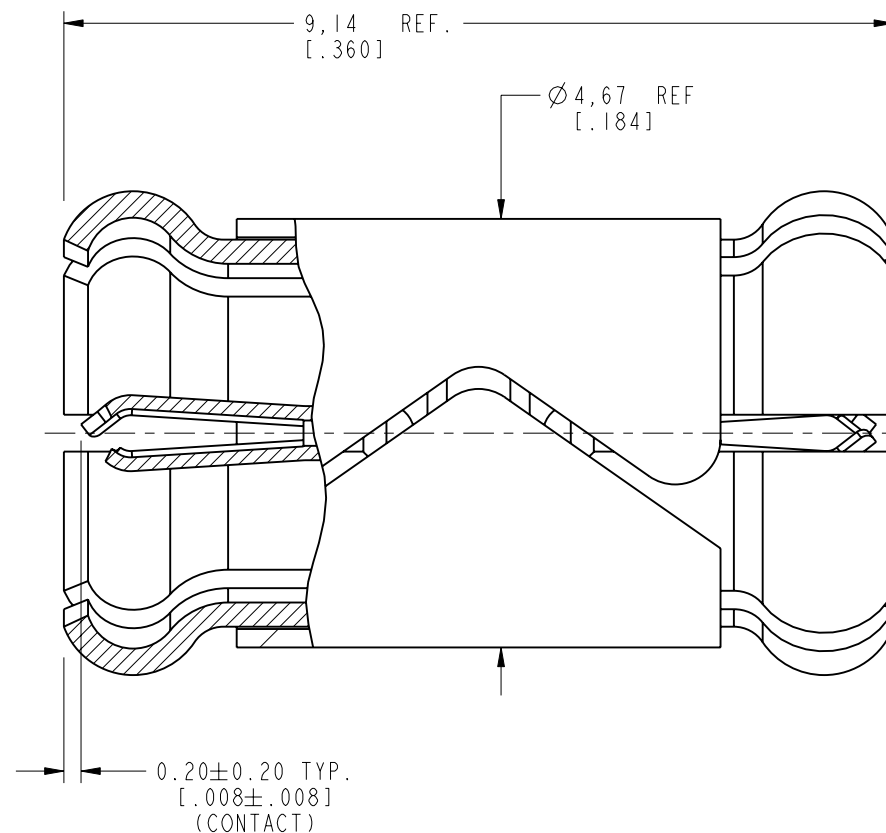
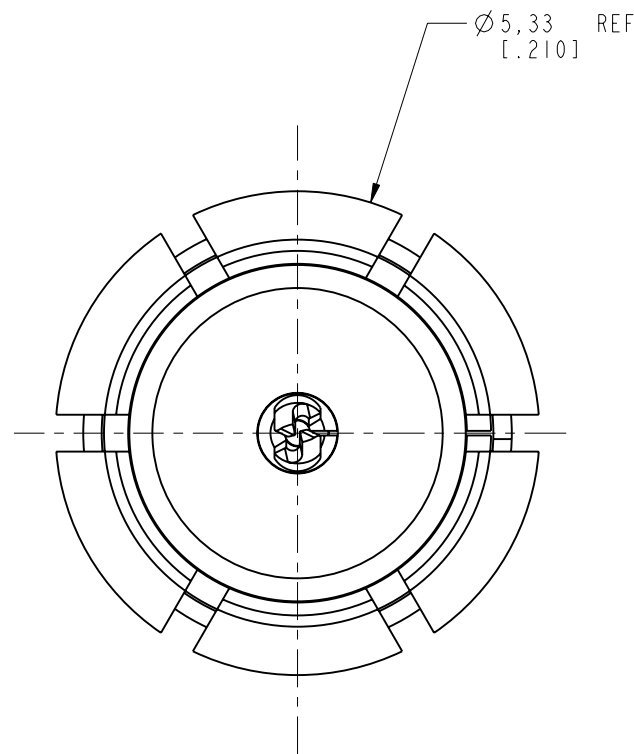
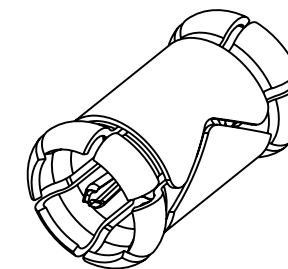
3. MECHANICAL:

A. DURABILITY = 100 CYCLES MIN.
 B. TEMPERATURE RANGE = -65° C TO +165° C
 C. ENGAGEMENT FORCE = 5.0 LBS MAX.
 DISENGAGEMENT FORCE = 0.5 LBS. MIN.

THIRD ANGLE PROJ.

REVISIONS

REV	DESCRIPTION	DATE	ECO	APPR
A	RELEASE TO MFG.	10/8/02	44225	BCG
B	SEE SHEET 1	10/22/02	44252	BCG
C	.008±.008 WAS .011±.006 AND ADDED DUAL DIM. SYNC ARFA AND DANBURY DRAWINGS	16-Aug-11	48678	SCOTT



CUSTOMER OUTLINE DRAWING

ALL OTHER SHEETS ARE FOR INTERNAL USE ONLY

UNLESS OTHERWISE SPECIFIED, DIMENSIONS ARE IN METRIC AND TOLERANCES ARE:
 <0.5mm ±0.05mm 0.5 - 6mm ±0.1mm 6 - 30mm ±0.2mm 30 - 120mm ±0.3mm ANGLES ±1°

NOTICE - These drawings, specifications, or other data (1) are, and remain the property of Amphenol corp. (2) must be returned upon request; and (3) are confidential and not to be disclosed to any person other than those to whom they are given by Amphenol Corp. the finishing of these drawings, specifications, or other data by Amphenol Corp., or to any other person to anyone for any purpose is not to be regarded by implication or otherwise in any manner licensing, granting rights to permitting such holder or any other person to manufacture, use or sell any product, process or design, patented or otherwise, that may in any way be related to or disclosed by said drawings, specifications, or other data.

MATERIAL	SEE NOTES
REFERENCE	615X-1730 CON-0279-01 SIMILAR TO: 920-111A-71S GEN# ASSYMI_AFI
FINISH	

DRAWN	I.XU	DATE	12-Aug-11
ENGINEER	G. ANTONINI	DATE	22-Aug-01
APPROVED	S.HSIEH	DATE	12-Aug-11
CAD FILE			

TITLE	AF1 BULLET
SCALE:	12.0:1.0
SHEET	2 OF 2
DWG SIZE	B
REV	C

Amphenol RF
Danbury CT USA, Tainan, Taiwan, Shenzhen, China www.amphenolrf.com
DRAWING NO. 920-127A-71S
ITEM NO. 920-127A-71S
PART NO. 920-127A-71S

X-ON Electronics

Largest Supplier of Electrical and Electronic Components

Click to view similar products for [RF Adapters - In Series](#) category:

Click to view products by [Amphenol](#) manufacturer:

Other Similar products are found below :

[5916-1103-603](#) [5918-1103-000](#) [5919-1503-000](#) [651A505](#) [82-5552](#) [9030-9523-502](#) [A0407000](#) [R114703000W](#) [R125704000](#) [R125771001](#)
[R141710000W](#) [R141723161](#) [R141730000](#) [R143730700](#) [R143770000](#) [R161703000W](#) [R161730000](#) [R161753000W](#) [R161791530W](#)
[R201705000](#) [R222705200](#) [R222M40010W](#) [R223703180](#) [R316754000](#) [R405006000](#) [R443162000](#) [AD78TL](#) [HRM-513S](#) [1996352-2](#)
[2157155-1](#) [252169-75](#) [AD158](#) [2101130-1](#) [252186](#) [R114704000W](#) [R114720000W](#) [R125705001](#) [R125705701](#) [R125771000](#) [R125771001W](#)
[R125791501W](#) [R127704001](#) [R127.870.001](#) [R127872001](#) [R141717000](#) [R142710000](#) [R142723000](#) [R143703000](#) [R143704000](#) [R143705700](#)