

NOTES:

1. MATERIALS AND FINISHES:

BODY - BERYLLIUM COPPER - GOLD PLATED OVER WHITE BRONZE
 CONTACT - BERYLLIUM COPPER - GOLD PLATED OVER WHITE BRONZE
 SLEEVE - BERYLLIUM COPPER - GOLD PLATED OVER WHITE BRONZE
 INSULATORS - PTFE

2. ELECTRICAL:

A. IMPEDANCE = 50 OHM, NOMINAL
 B. FREQUENCY RANGE = DC TO 6.0 GHz
 C. RETURN LOSS = -25 dB MAXIMUM
 D. INSERTION LOSS = 0.05 dB MAXIMUM
 E. ISOLATION = -70 dB MAXIMUM

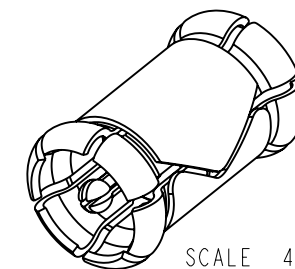
3. MECHANICAL:

A. DURABILITY = 500 CYCLES MIN.
 B. TEMPERATURE RANGE = -65° C TO +165° C
 C. ENGAGEMENT FORCE = 5.0 LBS MAX.
 DISENGAGEMENT FORCE = 0.5 LBS. MIN.

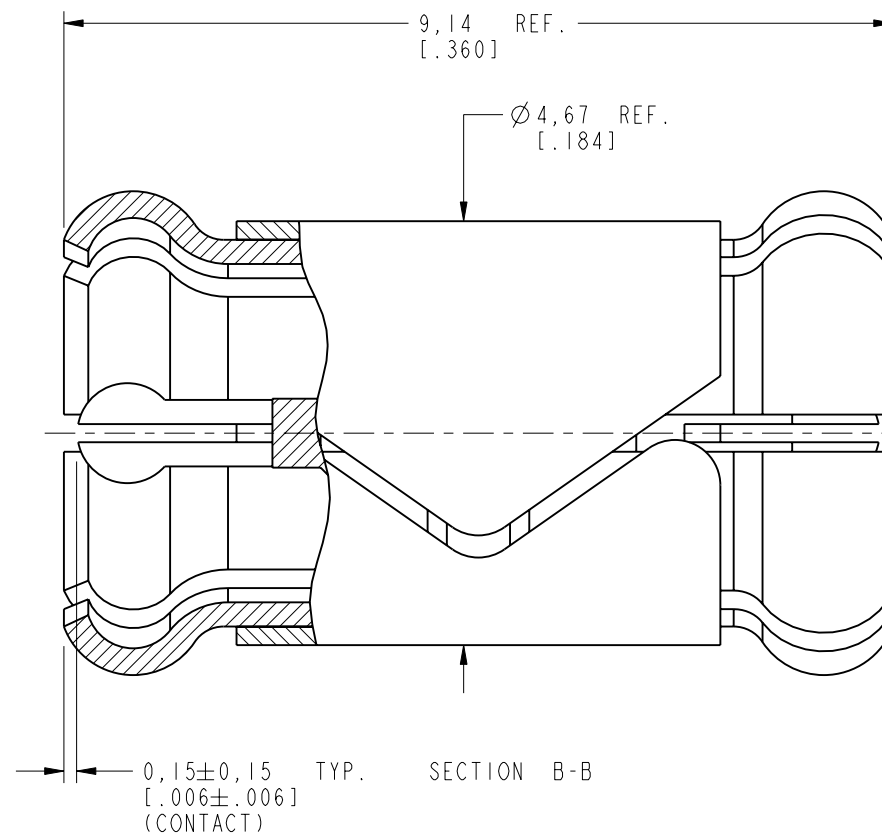
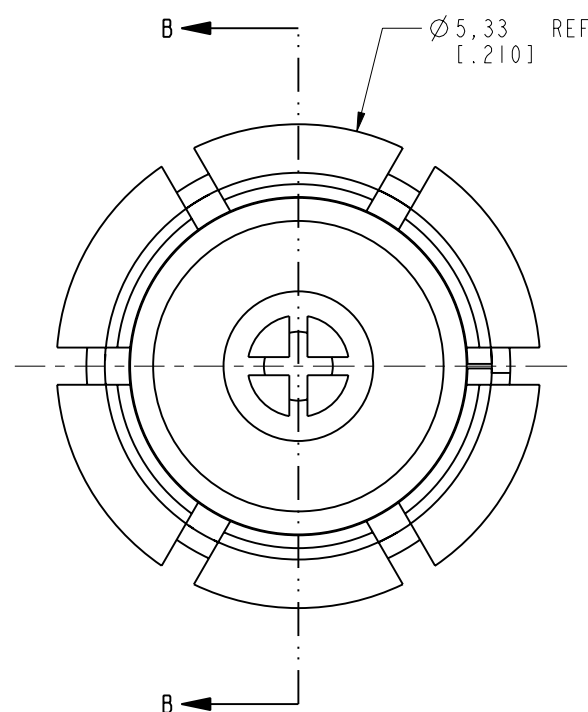
THIRD ANGLE PROJ.

REVISIONS

REV	DESCRIPTION	DATE	ECO	APPR
A	RELEASE TO MFG.			KJC
B	SPRING RING WAS CHANGED\RD-DM07011902C	24-Jan-07	47504	CISSY
C	P/N. OF SPRING RING WAS CHANGED\RD-DM110810011	16-Aug-11	48742	SCOTT
D	Ø4.67 REF WAS Ø4.67	15-Dec-14		RM



SCALE 4.000



CUSTOMER OUTLINE DRAWING

ALL OTHER SHEETS ARE FOR INTERNAL USE ONLY

UNLESS OTHERWISE SPECIFIED, DIMENSIONS ARE IN METRIC AND TOLERANCES ARE: <0.5mm ±0.05mm 0.5 - 6mm ±0.1mm 6 - 30mm ±0.2mm 30 - 120mm ±0.3mm ANGLES ±1°	MATERIAL SEE NOTES	DRAWN I. XU	DATE 13-Aug-11	TITLE 50 OHM AFI BULLET NO NICKEL UNDERPLATE	Amphenol RF www.amphenolrf.com		
	NOTICE - These drawings, specifications, or other data (1) are, and remain the property of Amphenol corp. (2) must be returned upon request; and (3) are confidential and not to be disclosed to any person other than those to whom they are given by Amphenol Corp. the furnishing of these drawings, specifications, or other data by Amphenol Corp., or to any other person to anyone for any purpose is not to be regarded by implication or otherwise in any manner licensing, granting rights to permitting such holder or any other person to manufacture, use or sell any product, process or design, patented or otherwise, that may in any way be related to or disclosed by said drawings, specifications, or other data.	REFERENCE GEN# ASSYMI_AFI	ENGINEER C. WANG			DATE 24-Jan-07	DRAWING NO. 920-169A-51S
		FINISH	APPROVED S. HSIEH	DATE 15-Dec-14		SCALE: 12.0:1.0 SHEET 2 OF 2	ITEM NO. 920-169A-51S
			CAD FILE I:\AFI\920-169A-51S	DWG SIZE B		REV D	PART NO. 920-169A-51S

X-ON Electronics

Largest Supplier of Electrical and Electronic Components

Click to view similar products for [RF Adapters - In Series category:](#)

Click to view products by [Amphenol manufacturer:](#)

Other Similar products are found below :

[5916-1103-603](#) [5918-1103-000](#) [5919-1503-000](#) [651A505](#) [82-5552](#) [9030-9523-502](#) [A0407000](#) [R114703000W](#) [R125704000](#) [R125771001](#)
[R141710000W](#) [R141723161](#) [R141730000](#) [R143730700](#) [R143770000](#) [R161703000W](#) [R161730000](#) [R161753000W](#) [R161791530W](#)
[R201705000](#) [R222705200](#) [R222M40010W](#) [R223703180](#) [R316754000](#) [R405006000](#) [R443162000](#) [AD78TL](#) [HRM-513S](#) [1996352-2](#)
[2157155-1](#) [252169-75](#) [AD158](#) [2101130-1](#) [252186](#) [R114704000W](#) [R114720000W](#) [R125705001](#) [R125705701](#) [R125771000](#) [R125771001W](#)
[R125791501W](#) [R127704001](#) [R127.870.001](#) [R127872001](#) [R141717000](#) [R142710000](#) [R142723000](#) [R143703000](#) [R143704000](#) [R143705700](#)