

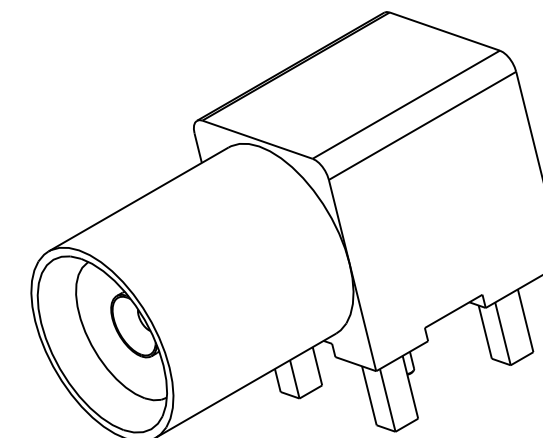
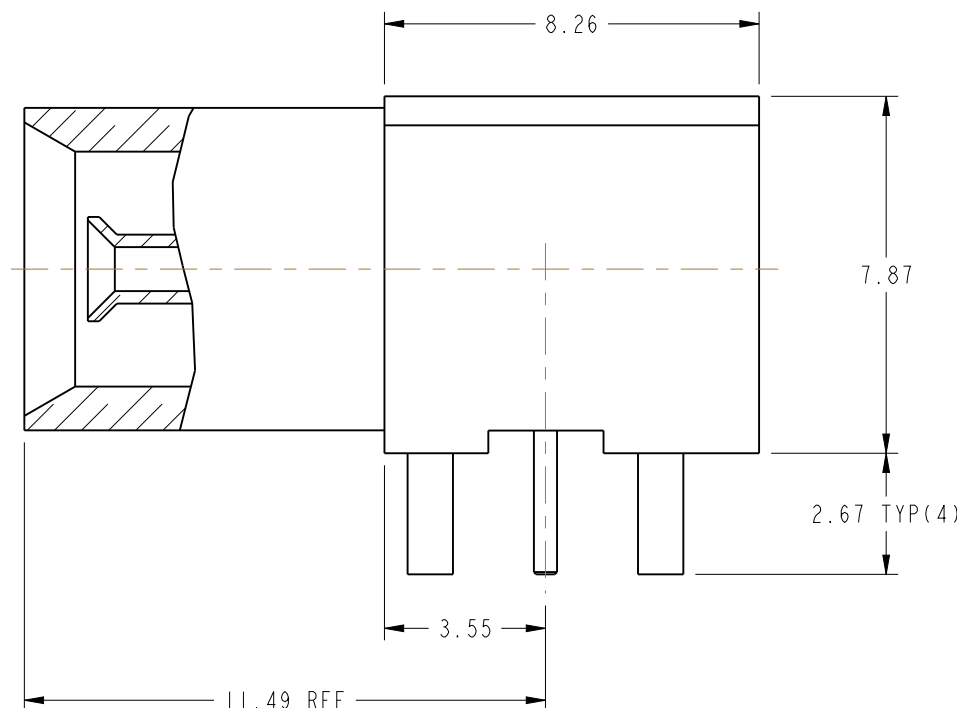
NOTES:

1. MATERIAL AND FINISH (PLATING THICKNESS IN MICRO-INCHES):
 - BODY - BRASS, GOLD PLATED
 - CONTACTS - BERYLLIUM COPPER, GOLD PLATED
 - INSULATORS - PTFE
 - PLUG CAP - BRASS, NICKEL PLATED
2. ELECTRICAL:
 - A. IMPEDANCE: 50 OHM
 - B. FREQUENCY RANGE: DC - 6 GHz
 - C. RETURN LOSS: -25dB FROM DC - 1GHz & -18dB FROM 1GHz TO 3GHz
3. MECHANICAL:
 - A. DURABILITY: 200 CYCLES MIN.
 - B. TEMPERATURE RANGE: -65° C TO +165° C
 - C. ENGAGEMENT FORCE: 5.0 LBS MAX
 - DISENGAGEMENT FORCE: 0.5 LBS MIN
4. PACKAGING:
 - A. PROTECTIVE TRAYS.
 - B. TRAY TO BE MARKED: AMPHENOL, 920-185J-51A AND DATE CODE.
 - C. PARTS SHALL BE LEGIBLY MARKED "AMPHENOL".

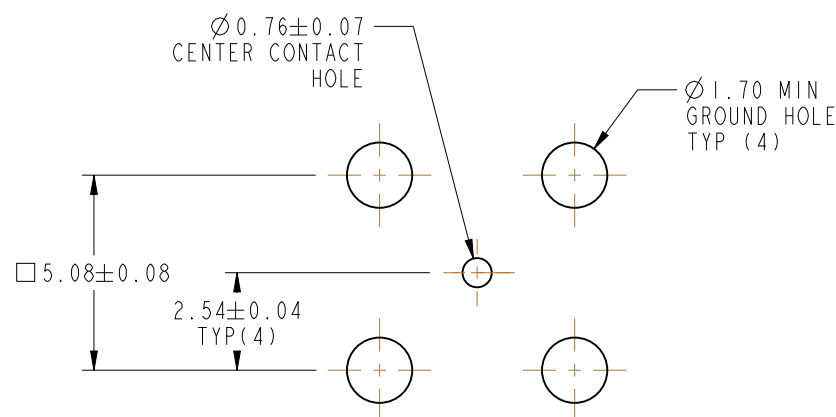
THIRD ANGLE PROJ.

REVISIONS

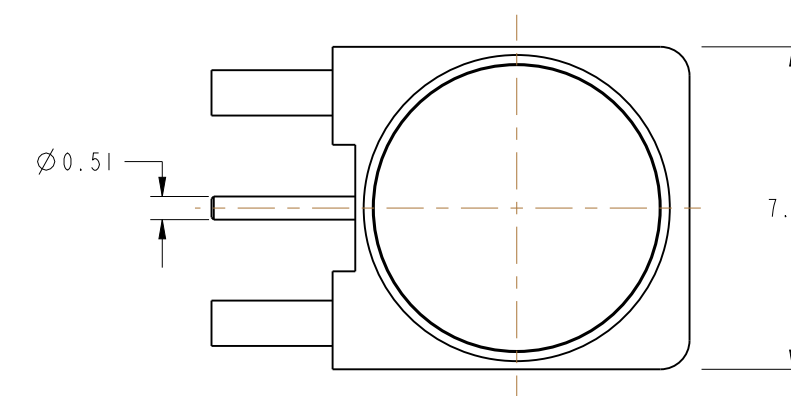
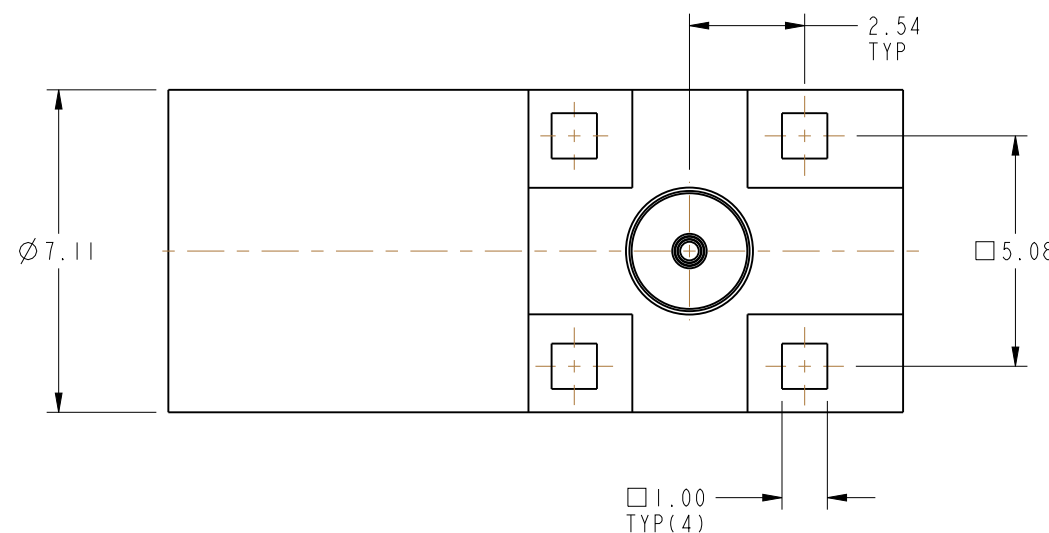
REV	DESCRIPTION	DATE	ECO	APPR
A	RELEASE TO MFG.	16-Aug-13	49686	RLB



SCALE 4.000



RECOMMENDED PCB LAYOUT



CUSTOMER OUTLINE DRAWING

ALL OTHER SHEETS ARE FOR INTERNAL USE ONLY

UNLESS OTHERWISE SPECIFIED, DIMENSIONS ARE IN METRIC AND TOLERANCES ARE:
 <0.5mm ±0.05mm 0.5 - 6mm ±0.1mm 6 - 30mm ±0.2mm 30 - 120mm ±0.3mm ANGLES ±1°

NOTICE - These drawings, specifications, or other data (1) are, and remain the property of Amphenol corp. (2) must be returned upon request; and (3) are confidential and not to be disclosed to any person other than those to whom they are given by Amphenol Corp. the finishing of these drawings, specifications, or other data by Amphenol Corp., or to any other person to anyone for any purpose is not to be regarded by implication or otherwise in any manner licensing, granting rights to permitting such holder or any other person to manufacture, use or sell any product, process or design, patented or otherwise, that may in any way be related to or disclosed by said drawings, specifications, or other data.

MATERIAL	DRAWN H.HE	DATE 22-Feb-11	TITLE AFI-50 JACK R/A SMOOTH BORE PCB		Amphenol RF Danbury CT USA, Tainan, Taiwan, Shenzhen, China www.amphenolrf.com
REFERENCE EAR #3099 AND 920-142J-71A	ENGINEER R. KARTHIK	DATE 22-Feb-11	SCALE: 6.0:1.0 SHEET 2 OF 2		
CONFIGURATION LEVEL: <input type="checkbox"/> <input type="checkbox"/>	APPROVED K. CAPOZZI	DATE 15-Aug-13	DWG SIZE B	REV A	DRAWING NO.920-185J-51A
FINISH	Root Folder/AFI/920-185J-51A				ITEM NO.920-185J-51A
					PART NO.920-185J-51A

X-ON Electronics

Largest Supplier of Electrical and Electronic Components

Click to view similar products for [RF Connectors / Coaxial Connectors](#) category:

Click to view products by [Amphenol](#) manufacturer:

Other Similar products are found below :

[8915-1511-000](#) [89674-0827](#) [6001-7071-019](#) [6002-7051-003](#) [6002-7551-202](#) [6059674-1](#) [619550-1](#) [630059-000](#) [M39030/3-01N](#) [M3933/25-36N](#) [6500-7071-046](#) [6769](#) [CX050L2AQ](#) [7002-1542-011](#) [7004-1512-000](#) [7009-1511-004](#) [7010-1511-000](#) [7029-1511-060](#) [7101-1541-010](#) [7101-1571-002](#) [7105-1521-002](#) [7145-1521-002](#) [7203-1571-003](#) [7209-1511-011](#) [7210-1511-015](#) [7210-1511-019](#) [73137-5015](#) [73216-2241](#) [7325-1512-000](#) [73404-2300](#) [7405-1521-005](#) [7405-1521-802](#) [7406-1521-005](#) [8527](#) [8547](#) [FS11V](#) [8808-1511-001](#) [9049-9513-000](#) [9074-9513-000](#) [9101-9573-002](#) [910A205F](#) [9130-9573-002](#) [PL11SC-026](#) [PL375-33](#) [PL40-5](#) [PL71-9](#) [PL74C-221](#) [PL75MC-217](#) [PL803-7](#) [980-8666-005](#)