

NOTES:

1. MATERIALS AND FINISHES:

- BODY - BRASS (MACHINED VERSION) - MATTE TIN PLATED (.000100" MIN)
- CONTACT - BERYLLIUM COPPER - GOLD PLATED (.000030" MIN)
- INSULATORS - PTFE AND TPX
- END PLUG - BRASS -NICKEL PLATED .000100" THICK

2. ELECTRICAL:

- A. IMPEDANCE = 75 OHM, NOMINAL
- B. FREQUENCY RANGE = DC TO 6 GHz
- C. RETURN LOSS = -25dB FROM DC - 1GHz & -18dB FROM 1GHz TO 3 GHz

3. MECHANICAL:

- A. DURABILITY = 200 CYCLES MIN.
- B. TEMPERATURE RANGE = -65° C TO +165° C

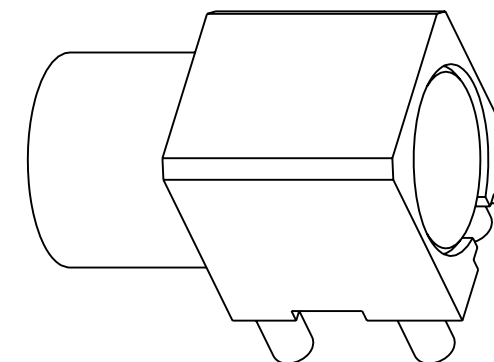
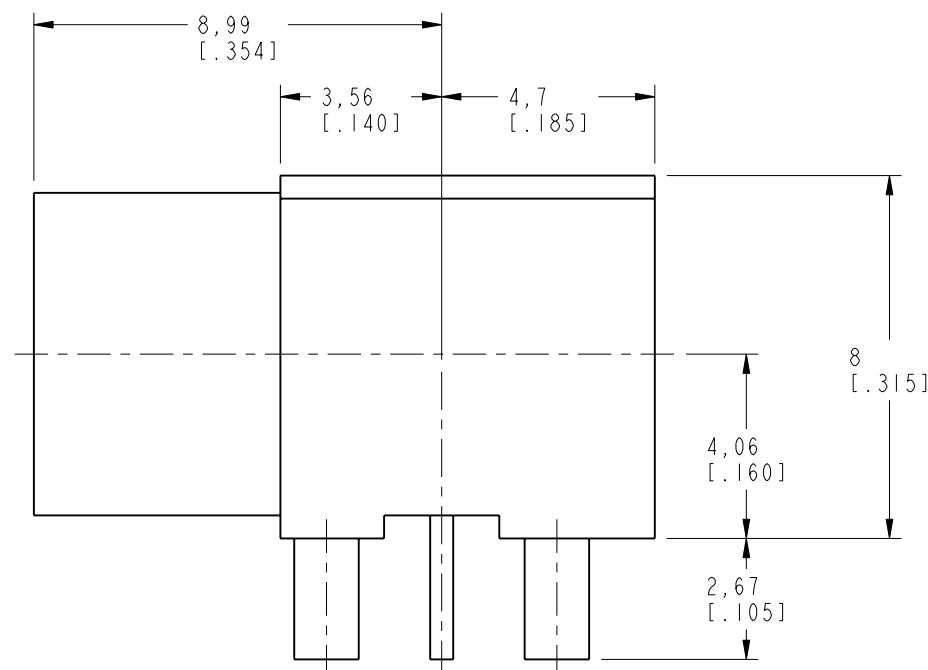
4. MARKING & PACKAGING:

- A. PROTECTIVE TRAYS
- B. TRAY TO BE MARKED: AMPHENOL, 920-192J-71A, AND DATE CODE
- C. PART SHALL BE LEGIBLY MARKED "AMPHENOL"

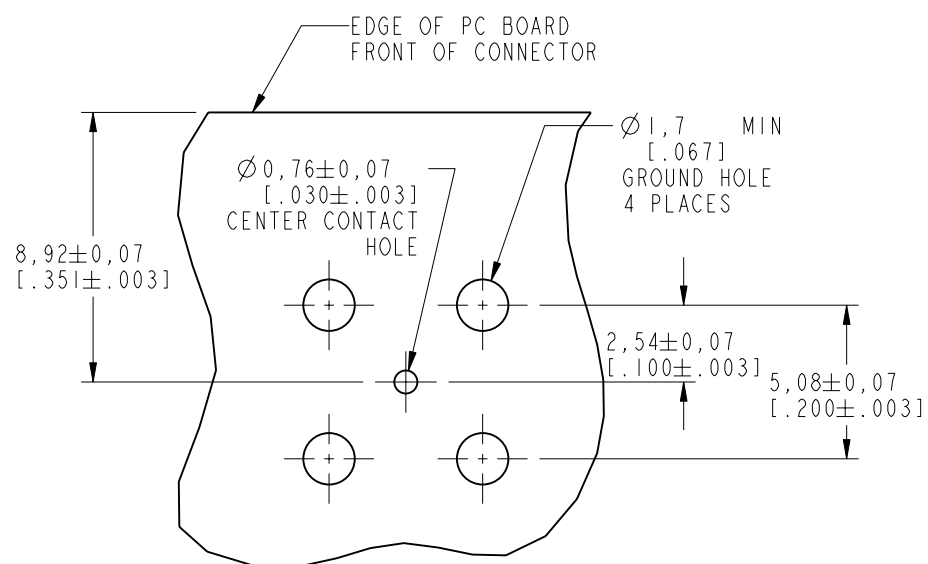
THIRD ANGLE PROJ.

REVISIONS

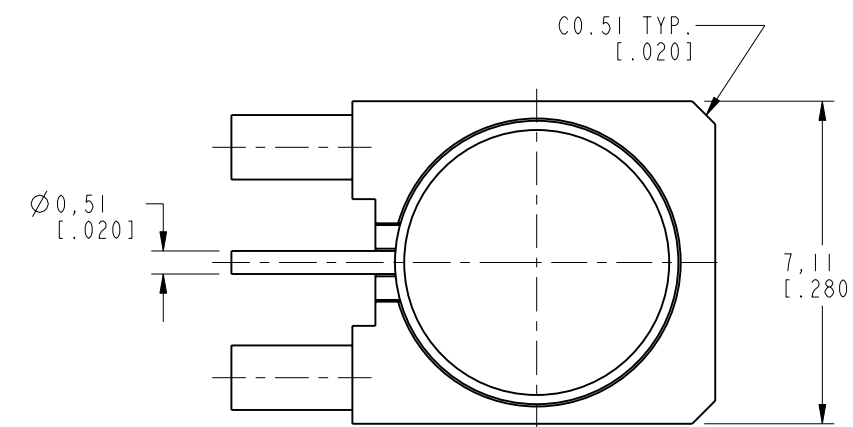
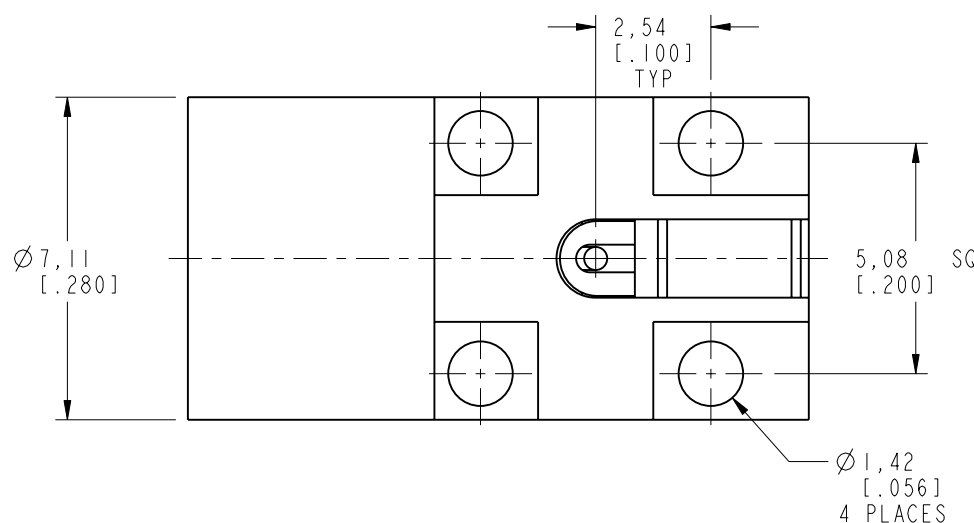
REV	DESCRIPTION	DATE	ECO	APPR
A	RELEASE TO MFG.	-----	47460	RR
B	SEE SHEET 1	14-Oct-09	47810	SH



SCALE 4.000



RECOMMENDED PCB MOUNTING HOLE LAYOUT
SCALE 4.000



CUSTOMER OUTLINE DRAWING
ALL OTHER SHEETS ARE FOR INTERNAL USE ONLY

UNLESS OTHERWISE SPECIFIED, DIMENSIONS ARE IN METRIC AND TOLERANCES ARE: 0.5 - 6mm ±0.1mm 6 - 30mm ±0.2mm 30 - 120mm ±0.3mm ANGLES ±1°	MATERIAL	DRAWN S.HE	DATE 9-Oct-09	TITLE AFI-75 JACK RIGHT ANGLE SMOOTHBORE PCB			Amphenol RF Danbury CT USA, Tainan, Taiwan, Shenzhen, China www.amphenolrf.com	
	REFERENCE EAR # 1131 AND GEN# ASSYF20-AFI 920-142J-71A CONFIGURATION LEVEL: Prototype	ENGINEER M. HOYACK	DATE 10/02/03					
NOTICE - These drawings, specifications, or other data (1) are, and remain the property of Amphenol corp. (2) must be returned upon request; and (3) are confidential and not to be disclosed to any person other than those to whom they are given by Amphenol Corp. the finishing of these drawings, specifications, or other data by Amphenol Corp., or to any other person to anyone for any purpose is not to be regarded by implication or otherwise in any manner licensing, granting rights to permitting such holder or any other person to manufacture, use or sell any product, process or design, patented or otherwise, that may in any way be related to or disclosed by said drawings, specifications, or other data.	FINISH	APPROVED A. CHEN	DATE 9-Oct-09	SCALE: 6.0:1.0	SHEET 2 OF 2	ITEM NO. 920-192J-71A		
	Root Folder/AFI/920-192J-71A	DWG SIZE B	CODE ID 74868	REV B	PART NO. 920-192J-71A			

X-ON Electronics

Largest Supplier of Electrical and Electronic Components

Click to view similar products for [RF Connectors / Coaxial Connectors](#) category:

Click to view products by [Amphenol](#) manufacturer:

Other Similar products are found below :

[8915-1511-000](#) [89674-0827](#) [6001-7071-019](#) [6002-7051-003](#) [6002-7551-202](#) [6059674-1](#) [619550-1](#) [630059-000](#) [M39030/3-01N](#) [M3933/25-36N](#) [6500-7071-046](#) [6769](#) [CX050L2AQ](#) [7002-1542-011](#) [7004-1512-000](#) [7009-1511-004](#) [7010-1511-000](#) [7029-1511-060](#) [7101-1541-010](#) [7101-1571-002](#) [7105-1521-002](#) [7145-1521-002](#) [7203-1571-003](#) [7209-1511-011](#) [7210-1511-015](#) [7210-1511-019](#) [73137-5015](#) [73216-2241](#) [7325-1512-000](#) [73404-2300](#) [7405-1521-005](#) [7405-1521-802](#) [7406-1521-005](#) [8527](#) [8547](#) [FS11V](#) [8808-1511-001](#) [9049-9513-000](#) [9074-9513-000](#) [9101-9573-002](#) [910A205F](#) [9130-9573-002](#) [PL11SC-026](#) [PL375-33](#) [PL40-5](#) [PL71-9](#) [PL74C-221](#) [PL75MC-217](#) [PL803-7](#) [980-8666-005](#)