

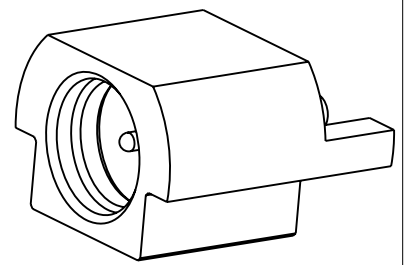
NOTES:

1. MATERIALS AND FINISHES:
 BODY & CONTACT - BRASS, GOLD PLATING
 INSULATOR - PTFE, NATURAL
2. ELECTRICAL:
 A. IMPEDANCE: 50 OHM
 B. FREQUENCY RANGE: DC - 6 GHz
 C. RETURN LOSS (VSWR): -30dB (1.07) DC - 3 GHz
 -17dB (1.33) 3 - 6 GHz
 D. CONTACT RESISTANCE: CENTER CONTACT 5 mΩ MAX.
 OUTER CONTACT 5 mΩ MAX.
 E. INSERTION LOSS: 0.1 dB MAX @ DC - 3 GHz
 F. INSULATION RESISTANCE: 5000 MΩ MIN.
 G. DIELECTRIC WITHSTANDING VOLTAGE: 1000 VRMS, MIN.
 H. POWER HANDLING: 40 W @ 2.6 GHz AT 95°C
 120 W @ 2.5 GHz AT 95°C
3. MECHANICAL:
 A. DURABILITY: 50 CYCLES MIN.
 B. TEMPERATURE RANGE: -45°C TO +125°C
4. PACKAGING:
 A. PACKAGE IN 50 PIECES TRAYS
 B. MARK TRAYS: "AMPHENOL RF, 920-507J-52P, DATE CODE"

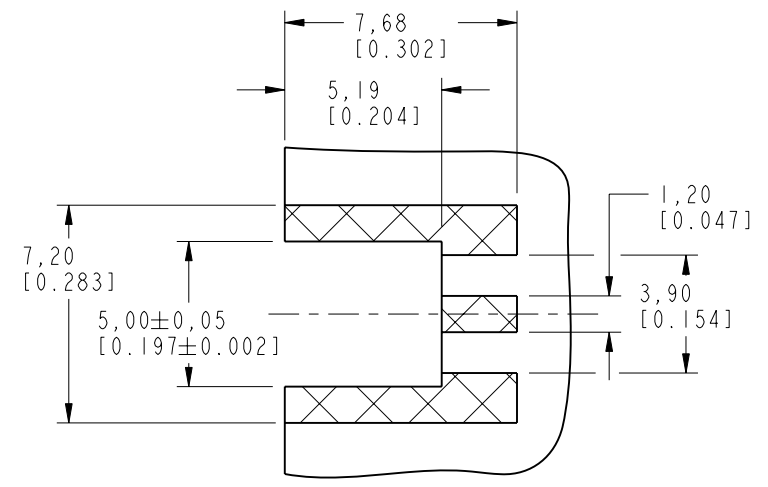
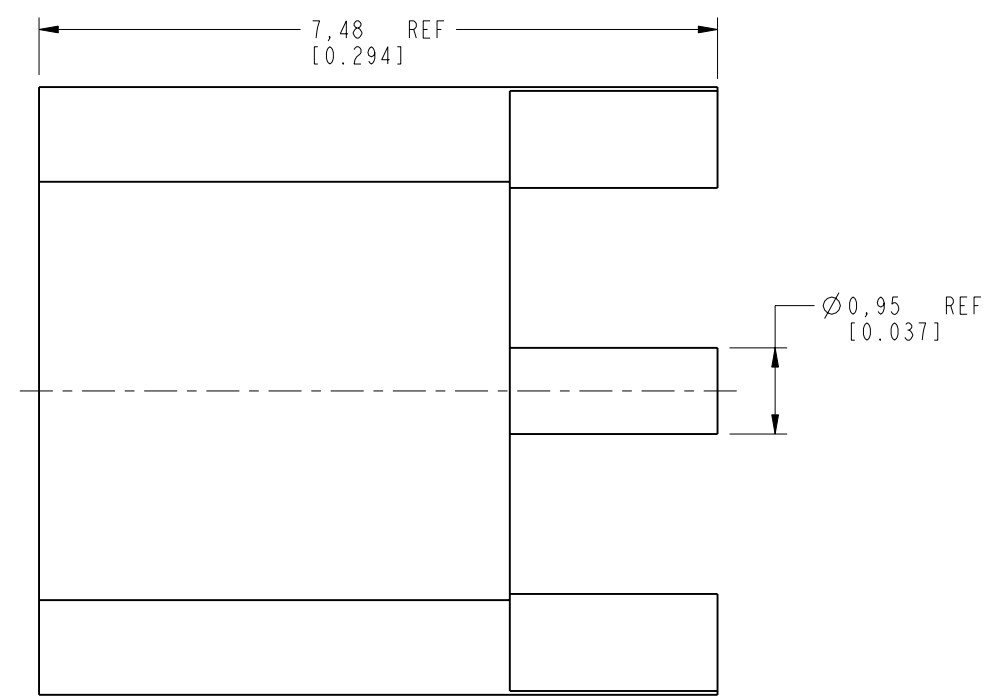
THIRD ANGLE PROJ.

REVISIONS

REV	DESCRIPTION	DATE	ECO	APPR
A	RELEASE TO MFG.	03-May-17	08168	BMG

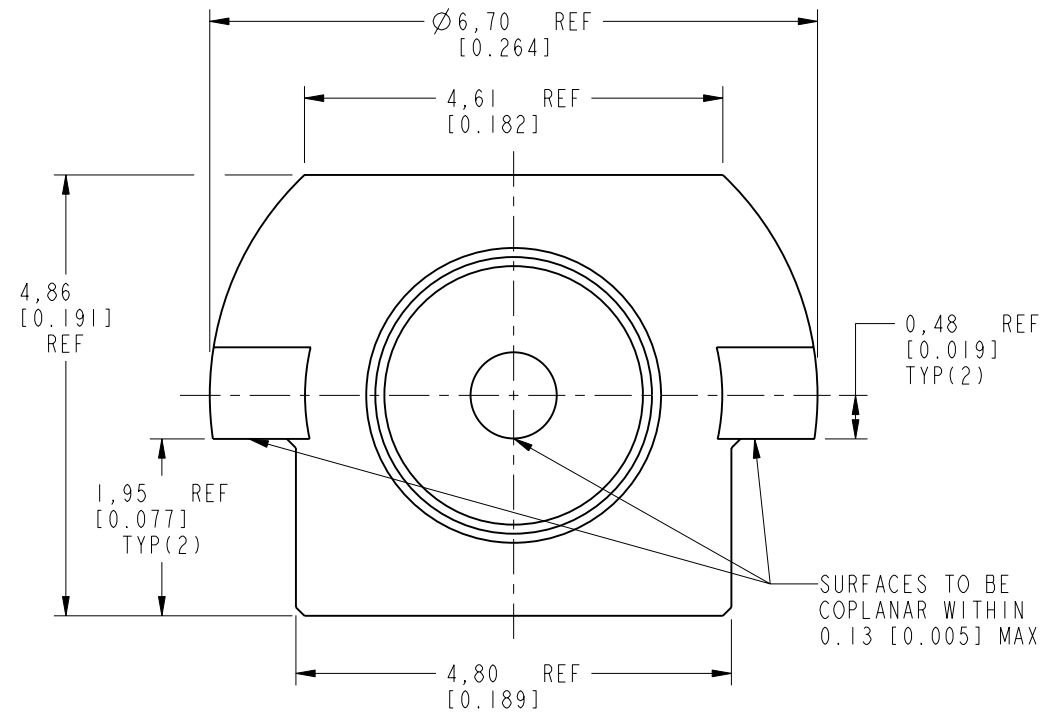
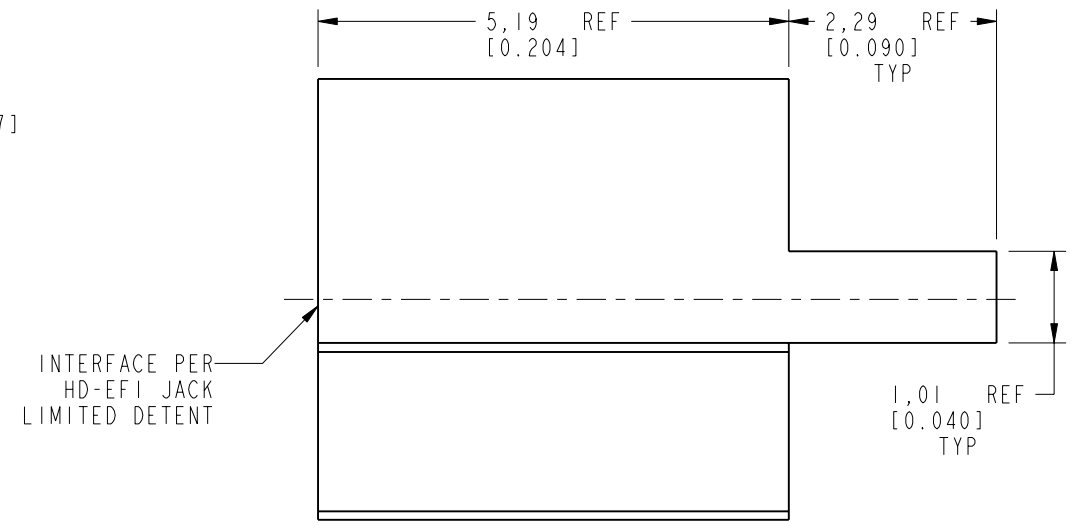


SCALE 5.000



RECOMMENDED PCB LAYOUT

SOLDER FOOTPRINT ONLY, PERFORMANCE WILL VARY BASED ON BOARD LAYOUT



CUSTOMER OUTLINE DRAWING
 ALL OTHER SHEETS ARE FOR INTERNAL USE ONLY

UNLESS OTHERWISE SPECIFIED, DIMENSIONS ARE IN METRIC AND TOLERANCES ARE: <0.5mm ±0.05mm 0.5 - 6mm ±0.1mm 6 - 30mm ±0.2mm 30 - 120mm ±0.3mm ANGLES ±1°	MATERIAL	DRAWN	DATE	TITLE HD-EFI STR JACK LIMITED DETENT EDGE MOUNT	Amphenol RF www.amphenolrf.com
	-	S. DUAN	May-29-18		
NOTICE - These drawings, specifications, or other data (1) are, and remain the property of Amphenol corp. (2) must be returned upon request; and (3) are confidential and not to be disclosed to any person other than those to whom they are given by Amphenol Corp. the furnishing of these drawings, specifications, or other data by Amphenol Corp., or to any other person to anyone for any purpose is not to be regarded by implication or otherwise in any manner licensing, granting rights to permitting such holder or any other person to manufacture, use or sell any product, process or design, patented or otherwise, that may in any way be related to or disclosed by said drawings, specifications, or other data.	REFERENCE	ENGINEER	DATE	SCALE: 12.0:1.0	DRAWING NO. 920-507J-52P ITEM NO. 920-507J-52P PART NO. 920-507J-52P
	7563 AND	B. GREENBAUM	May-29-18	SHEET 2 OF 2	
	CONFIGURATION LEVEL: In Work	APPROVED	DATE	DWG SIZE	REV
FINISH	S. HSIEH	04-Jun-18	B	A	

X-ON Electronics

Largest Supplier of Electrical and Electronic Components

Click to view similar products for [RF Connectors / Coaxial Connectors](#) category:

Click to view products by [Amphenol](#) manufacturer:

Other Similar products are found below :

[8915-1511-000](#) [89674-0827](#) [6001-7071-019](#) [6002-7051-003](#) [6002-7551-202](#) [6059674-1](#) [619550-1](#) [630059-000](#) [M39030/3-01N](#) [6500-7071-046](#) [6769](#) [CX050L2AQ](#) [7002-1542-011](#) [7004-1512-000](#) [7009-1511-004](#) [7010-1511-000](#) [7029-1511-060](#) [7101-1541-010](#) [7101-1571-002](#) [7105-1521-002](#) [7145-1521-002](#) [7203-1571-003](#) [7209-1511-011](#) [7210-1511-015](#) [7210-1511-019](#) [73137-5015](#) [73216-2241](#) [73404-2300](#) [7405-1521-005](#) [7405-1521-802](#) [7406-1521-005](#) [8527](#) [8547](#) [FS11V](#) [8808-1511-001](#) [9049-9513-000](#) [9074-9513-000](#) [9101-9573-002](#) [910A205F](#) [9130-9573-002](#) [PL11SC-026](#) [PL375-33](#) [PL40-5](#) [PL71-9](#) [PL74C-221](#) [PL75MC-217](#) [PL803-7](#) [980-8666-005](#) [1200690078](#) [1-201144-1](#)