

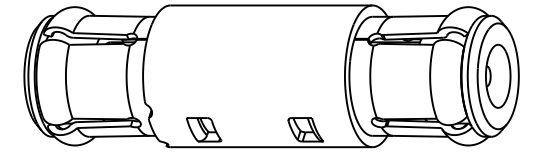
NOTES:

1. MATERIAL AND FINISH:
 - BODY: COPPER ALLOY, ALBALOY PLATING
 - CONTACT PIN: COPPER NICKEL ALLOY, GOLD PLATING
 - INSULATOR: POM, NATURAL
2. ELECTRICAL:
 - A. IMPEDANCE: 50 OHM
 - B. FREQUENCY RANGE: DC - 6 GHz
 - C. RETURN LOSS(VSWR): AT AXIAL FLOAT POSITION
 - DC-3 GHz: 23dB (1.16) @ NOMINAL
 - 20dB (1.22) ± 0.7 mm
 - 3- 6 GHz: 18dB (1.28) @ NOMINAL
 - 15dB (1.44) ± 0.7 mm
 - D. INSULATION RESISTANCE: 5 GOHM MIN.
 - E. POWER HANDLING: 120 W MAX. @ 2.5GHz AT 85°C
3. MECHANICAL:
 - A. MATING CYCLES: 200 MIN FOR SMOOTH BORE
 - 50 MIN FOR LIMITED DETENT
 - B. TEMPERATURE RANGE: -40°C TO +85°C
4. PACKAGING:
 - A. PACKAGE IN 50 PIECE TRAYS
 - B. MARK TRAYS: "AMPHENOL RF, 920-509A-51S, DATE CODE, U.S. PATENT NO. 9,735,521 & 9,735,531"

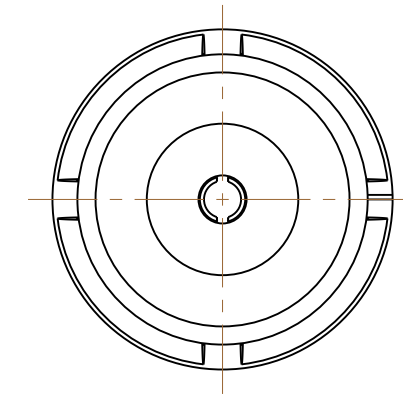
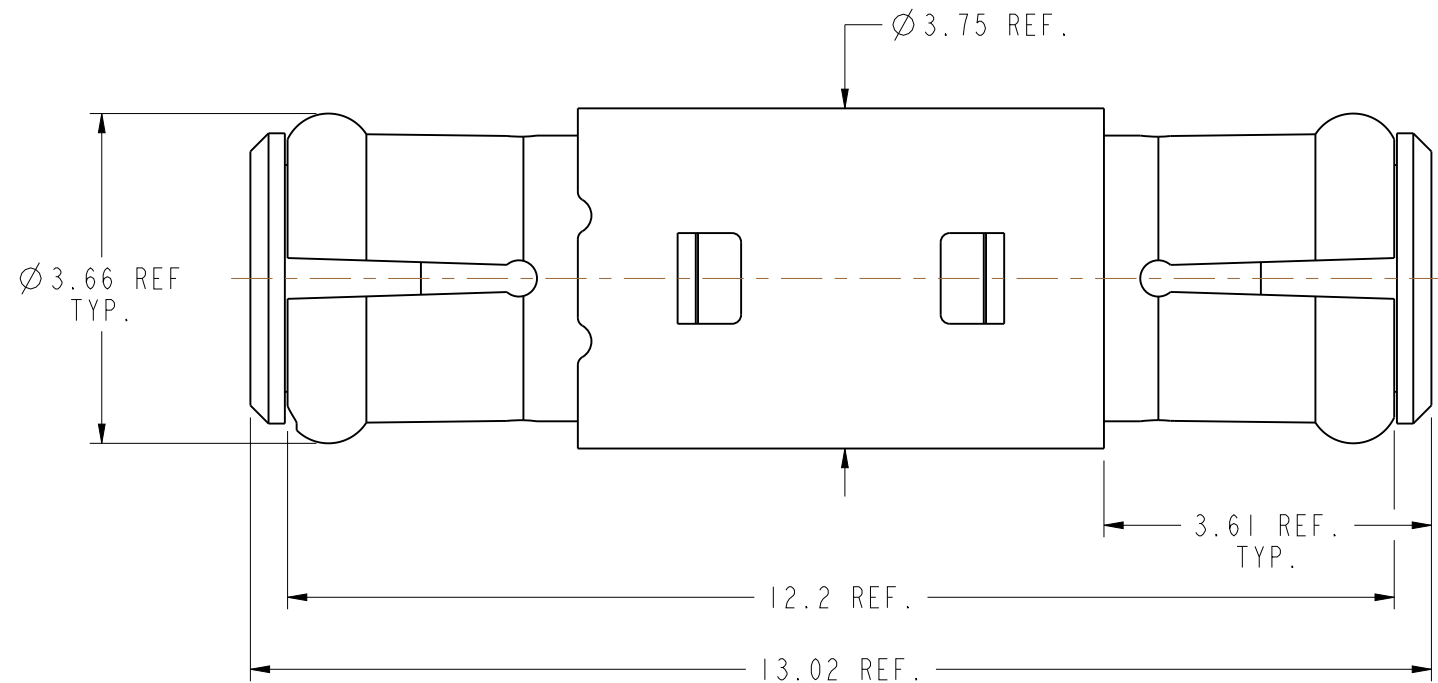
THIRD ANGLE PROJ.

REVISIONS

REV	DESCRIPTION	DATE	ECO	APPR
A	RELEASE TO MFG.	24-May-18	8168	BMG



SCALE 5.000



PROTECTED UNDER U.S. PATENT # 9,735,521 & 9,735,531

CUSTOMER OUTLINE DRAWING

ALL OTHER SHEETS ARE FOR INTERNAL USE ONLY

UNLESS OTHERWISE SPECIFIED, DIMENSIONS ARE IN METRIC AND TOLERANCES ARE:
 <0.5mm ±0.05mm 0.5 - 6mm ±0.1mm 6 - 30mm ±0.2mm 30 - 120mm ±0.3mm ANGLES ±1°

NOTICE - These drawings, specifications, or other data (1) are, and remain the property of Amphenol corp. (2) must be returned upon request; and (3) are confidential and not to be disclosed to any person other than those to whom they are given by Amphenol Corp. the furnishing of these drawings, specifications, or other data by Amphenol Corp., or to any other person to anyone for any purpose is not to be regarded by implication or otherwise in any manner licensing, granting rights to permitting such holder or any other person to manufacture, use or sell any product, process or design, patented or otherwise, that may in any way be related to or disclosed by said drawings, specifications, or other data.

MATERIAL	SEE NOTES	DRAWN	B. GREENBAUM	DATE	19-Jun-17	TITLE	HD-EFI BULLET UPDATED STAMPING	Amphenol RF www.amphenolrf.com
REFERENCE	EAR# 7563	ENGINEER	B. GREENBAUM	DATE	19-Jun-17			
FINISH	REF: ----	APPROVED	K. CAPOZZI	DATE	24-May-18	SCALE: 12.0:1.0	SHEET 2 OF 2	DRAWING NO. 920-509A-51S
CONFIGURATION LEVEL: In Work		CAD FILE				DWG SIZE	REV	ITEM NO. 920-509A-51S
						B	A	PART NO. 920-509A-51S

X-ON Electronics

Largest Supplier of Electrical and Electronic Components

Click to view similar products for [RF Adapters - In Series category:](#)

Click to view products by [Amphenol manufacturer:](#)

Other Similar products are found below :

[5916-1103-603](#) [5918-1103-000](#) [5919-1503-000](#) [651A505](#) [82-5552](#) [9030-9523-502](#) [A0407000](#) [R114703000W](#) [R125704000](#) [R125771001](#)
[R141710000W](#) [R141723161](#) [R141730000](#) [R143730700](#) [R143770000](#) [R161703000W](#) [R161730000](#) [R161753000W](#) [R161791530W](#)
[R201705000](#) [R222705200](#) [R222M40010W](#) [R223703180](#) [R316754000](#) [R405006000](#) [R443162000](#) [AD78TL](#) [HRM-513S](#) [1996352-2](#)
[2157155-1](#) [252169-75](#) [AD158](#) [2101130-1](#) [252186](#) [R114704000W](#) [R114720000W](#) [R125705001](#) [R125705701](#) [R125771000](#) [R125771001W](#)
[R125791501W](#) [R127704001](#) [R127.870.001](#) [R127872001](#) [R141717000](#) [R142710000](#) [R142723000](#) [R143703000](#) [R143704000](#) [R143705700](#)