

NOTES:

1. MATERIAL AND FINISH (PLATING THICKNESS IN MICRO-INCHES):

- BODY - BeCu, ALBALOY PLATING
- CONTACT PIN - COPPER NICKEL ALLOY, GOLD PLATING
- INSULATOR - PTFE , NATURAL

2. ELECTRICAL:

- A. IMPEDANCE: 50 OHM
- B. FREQUENCY RANGE: DC - 6 GHz
- C. RETURN LOSS(VSWR): 23 dB MIN. @ DC - 3 GHz
20 dB MIN. @ 3 - 6 GHz
- D. INSERTION LOSS: <0.15dB @ DC-3GHz
- E. INSULATION RESISTANCE: 5 GOHM MIN.
- F. POWER HANDLING: 40 W MAX. @ 2.6 GHz AT 85°C

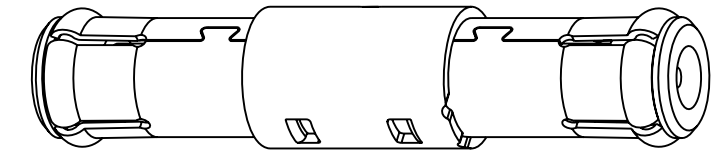
3. MECHANICAL:

- A. MATING CYCLES: 200 MIN. FOR SMOOTH BORE
50 MIN. FOR LIMITED DETENT
- B. TEMPERATURE RANGE: -55°C TO +125°C

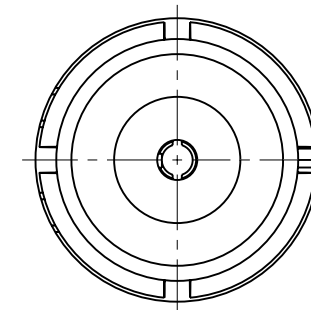
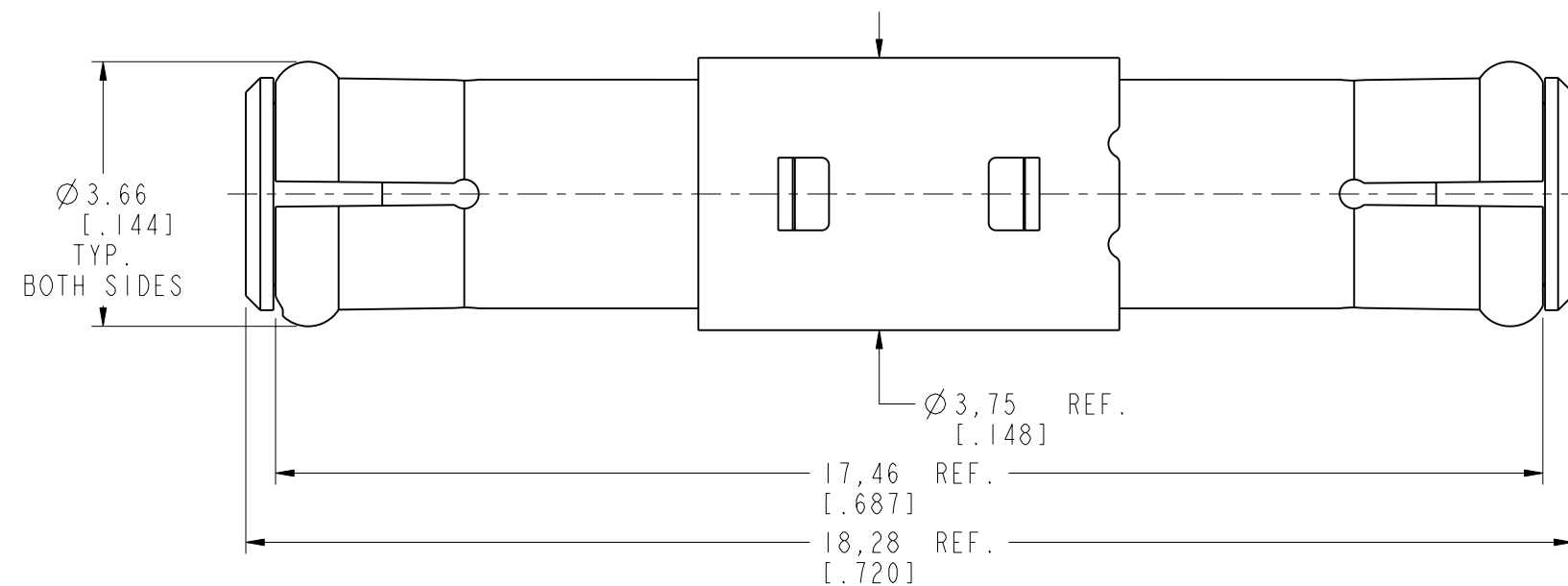
THIRD ANGLE PROJ.

REVISIONS

REV	DESCRIPTION	DATE	ECO	APPR
A	RELEASE TO MFG.	1-Aug-19	12421	EH



SCALE 5.000



CUSTOMER OUTLINE DRAWING
ALL OTHER SHEETS ARE FOR INTERNAL USE ONLY

UNLESS OTHERWISE SPECIFIED, DIMENSIONS ARE IN METRIC AND TOLERANCES ARE:
 <0.5mm ±0.05mm 0.5 - 6mm ±0.1mm 6 - 30mm ±0.2mm 30 - 120mm ±0.3mm ANGLES ±1°

NOTICE - These drawings, specifications, or other data (1) are, and remain the property of Amphenol corp. (2) must be returned upon request; and (3) are confidential and not to be disclosed to any person other than those to whom they are given by Amphenol Corp. the furnishing of these drawings, specifications, or other data by Amphenol Corp., or to any other person to anyone for any purpose is not to be regarded by implication or otherwise in any manner licensing, granting rights to permitting such holder or any other sperson to manufacture, use or sell any product, process or design, patented or otherwise, that may in any way be related to or disclosed by said drawings, specifications, or other data.

MATERIAL SEE NOTES	DRAWN W.ZENG	DATE 30-Jul-19	TITLE HD EFI BULLET STAMPING REVISION		Amphenol RF www.amphenolrf.com	
REFERENCE AND CONFIGURATION LEVEL:	ENGINEER L.QIN	DATE 01-Mar-19				
FINISH	APPROVED S.HSIEH	DATE 6-Aug-19	SCALE: 10.0:1.0	SHEET 2 OF 2	DRAWING NO. 920-517A-52S	ITEM NO. 920-517A-52S
	CAD FILE		DWG SIZE B	REV A	PART NO. 920-517A-52S	

X-ON Electronics

Largest Supplier of Electrical and Electronic Components

Click to view similar products for [RF Adapters - In Series category:](#)

Click to view products by [Amphenol manufacturer:](#)

Other Similar products are found below :

[5916-1103-603](#) [5918-1103-000](#) [5919-1503-000](#) [651A505](#) [82-5552](#) [9030-9523-502](#) [A0407000](#) [R114703000W](#) [R125704000](#) [R125771001](#)
[R141710000W](#) [R141723161](#) [R141730000](#) [R143730700](#) [R143770000](#) [R161703000W](#) [R161730000](#) [R161753000W](#) [R161791530W](#)
[R201705000](#) [R222705200](#) [R222M40010W](#) [R223703180](#) [R316754000](#) [R405006000](#) [R443162000](#) [AD78TL](#) [HRM-513S](#) [1996352-2](#)
[2157155-1](#) [252169-75](#) [AD158](#) [2101130-1](#) [252186](#) [R114704000W](#) [R114720000W](#) [R125705001](#) [R125705701](#) [R125771000](#) [R125771001W](#)
[R125791501W](#) [R127704001](#) [R127.870.001](#) [R127872001](#) [R141717000](#) [R142710000](#) [R142723000](#) [R143703000](#) [R143704000](#) [R143705700](#)