

NOTES:

1. MATERIALS & FINISHES:

BODY - BERYLLIUM COPPER - GOLD PLATED  
 CONTACT - BERYLLIUM COPPER - GOLD PLATED  
 INSULATOR - PTFE

2. ELECTRICAL:

A. FREQUENCY RANGE = DC TO 40 GHz  
 B. VSWR = 1.20:1 MAX AT DC-10 GHz  
 1.30:1 MAX AT 10-26.5 GHz  
 C. D.W.V. = 500 VRMS MIN.

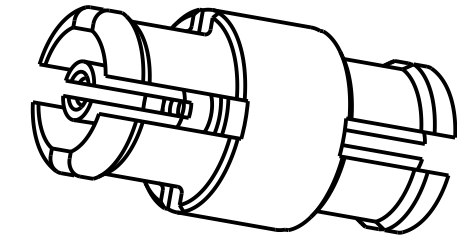
3. PHYSICAL:

A. TEMPERATURE RANGE = -65°C TO +165°C  
 B. DURABILITY = 100 MATING CYCLES MIN.

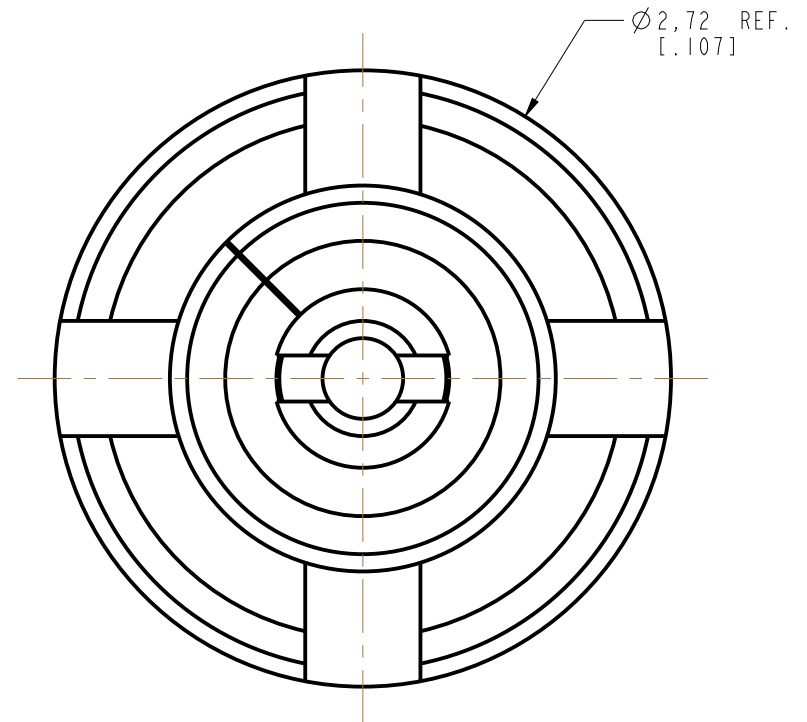
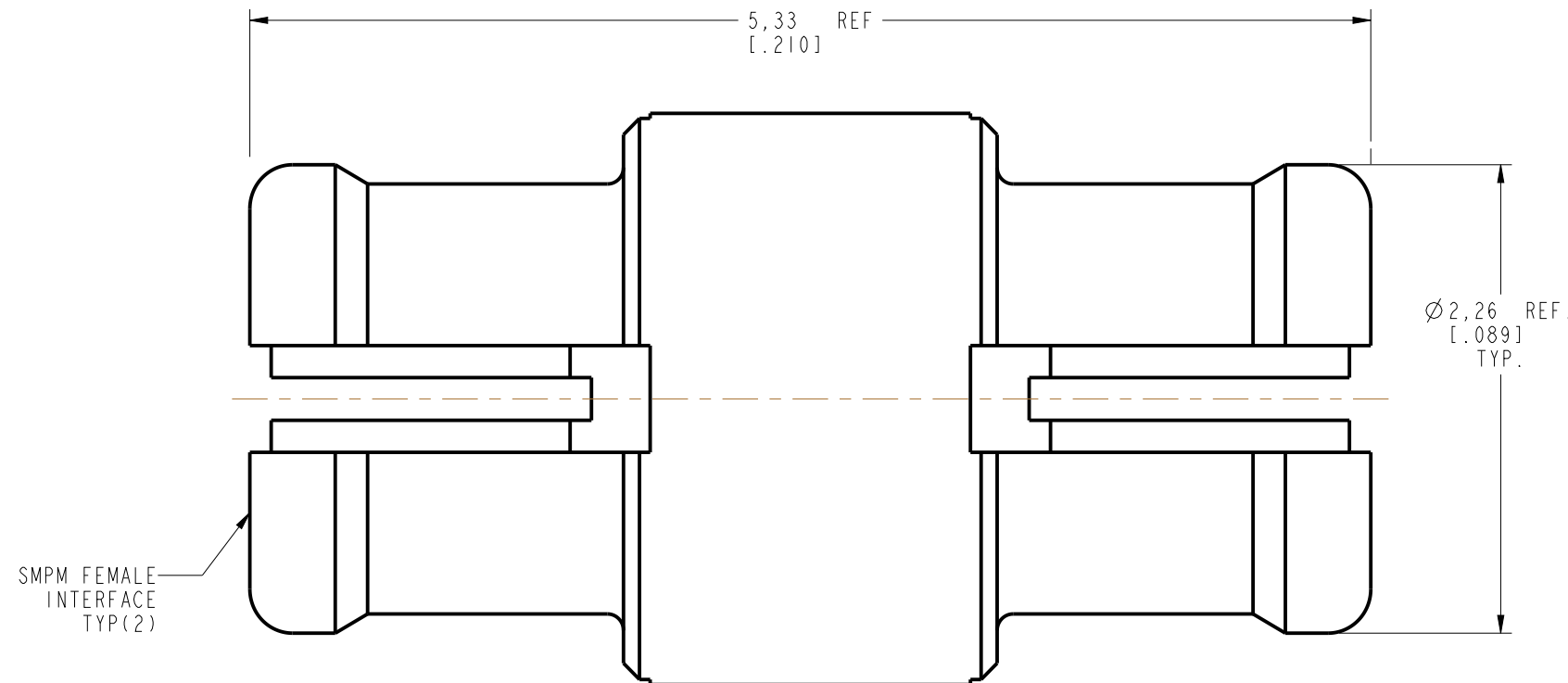
THIRD ANGLE PROJ.

REVISIONS

REV	DESCRIPTION	DATE	ECO	APPR
A	RELEASE TO MFG.	9/8/16	01843	KCE



SCALE 10.000



**CUSTOMER OUTLINE DRAWING**

ALL OTHER SHEETS ARE FOR INTERNAL USE ONLY

UNLESS OTHERWISE SPECIFIED, DIMENSIONS ARE IN INCHES AND TOLERANCES ARE:  
 2 PLACE DECIMAL 3 PLACE DECIMAL ANGLES  
 ±.015 (0,381 mm) ±.005 (0,127 mm) ± 1°

NOTICE - These drawings, specifications, or other data (1) are, and remain the property of Amphenol corp. (2) must be returned upon request; and (3) are confidential and not to be disclosed to any person other than those to whom they are given by Amphenol Corp. the furnishing of these drawings, specifications, or other data by Amphenol Corp., or to any other person to anyone for any purpose is not to be regarded by implication or otherwise in any manner licensing, granting rights to permitting such holder or any other person to manufacture, use or sell any product, process or design, patented or otherwise, that may in any way be related to or disclosed by said drawings, specifications, or other data.

MATERIAL	DRAWN M. ZHANG	DATE 05-Apr-16	TITLE ASSEMBLY SMPM, F-F		Amphenol RF www.amphenolrf.com	
REFERENCE EAR #7105 AND --	ENGINEER T. SMITH	DATE 04-Nov-14				
CONFIGURATION LEVEL: In Work	APPROVED K. CAPOZZI	DATE 9/8/16	SCALE: 30.0:1.0	SHEET 2 OF 2	DRAWING NO. 925-106A-5IS	
FINISH	CAD FILE		DWG SIZE B	REV A	ITEM NO. 925-106A-5IS	
					PART NO. 925-106A-5IS	

## X-ON Electronics

Largest Supplier of Electrical and Electronic Components

*Click to view similar products for [RF Adapters - In Series category:](#)*

*Click to view products by [Amphenol manufacturer:](#)*

Other Similar products are found below :

[5916-1103-603](#) [5918-1103-000](#) [5919-1503-000](#) [651A505](#) [82-5552](#) [9030-9523-502](#) [A0407000](#) [R114703000W](#) [R125704000](#) [R125771001](#)  
[R141710000W](#) [R141723161](#) [R141730000](#) [R143730700](#) [R143770000](#) [R161703000W](#) [R161730000](#) [R161753000W](#) [R161791530W](#)  
[R201705000](#) [R222705200](#) [R222M40010W](#) [R223703180](#) [R316754000](#) [R405006000](#) [R443162000](#) [AD78TL](#) [HRM-513S](#) [1996352-2](#)  
[2157155-1](#) [252169-75](#) [AD158](#) [2101130-1](#) [252186](#) [R114704000W](#) [R114720000W](#) [R125705001](#) [R125705701](#) [R125771000](#) [R125771001W](#)  
[R125791501W](#) [R127704001](#) [R127.870.001](#) [R127872001](#) [R141717000](#) [R142710000](#) [R142723000](#) [R143703000](#) [R143704000](#) [R143705700](#)