

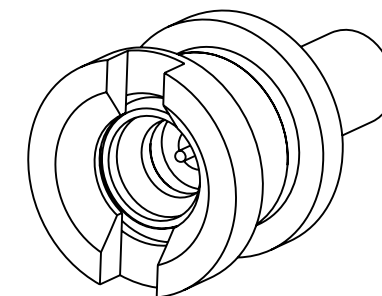
NOTES:

1. MATERIALS AND FINISHES:
 BODIES - BRASS, GOLD PLATING
 CONTACT - BeCu, GOLD PLATING
 INSULATORS - PTFE, NATURAL
2. ELECTRICAL:
 A. IMPEDANCE: 50 OHM
 B. FREQUENCY RANGE: 2 MHz - 40 GHz
 C. VSWR : 1.15:1 MAX @ DC - 10 GHz
 1.25:1 MAX @ 10 GHz - 26.5 GHz
 1.35:1 MAX @ 26.5 GHz - 40 GHz
3. MECHANICAL:
 A. DURABILITY: 100 MATING CYCLES MIN.
 B. TEMPERATURE RANGE: -65° C TO +165° C
4. PACKAGING:
 A. QUANTITY: SINGLE PACK
 B. MARKING: BAG TO BE MARKED
 "AMPHENOL RF, 925-134J-51S, AND DATE CODE"
5. CABLE ASSEMBLY INSTRUCTIONS.
 A. TRIM CABLE AS SHOWN.
 B. SLIDE INSULATOR DISC OVER THE CABLE CENTER CONDUCTOR.
 C. SOLDER CENTER CONTACT TO CABLE CENTER CONDUCTOR.
 D. INSERT CONTACT TO INSULATOR UNTIL CONTACT BOTTOMS.
 E. SOLDER OUTER CONDUCTOR OF CABLE TO REAR BODY.

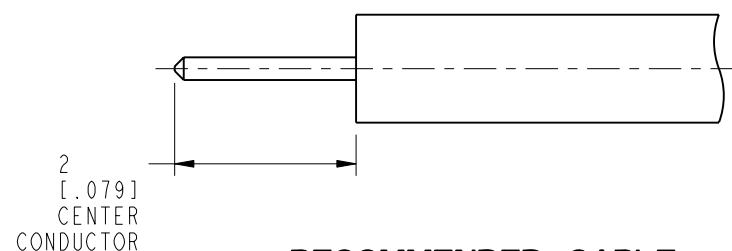
THIRD ANGLE PROJ.

REVISIONS

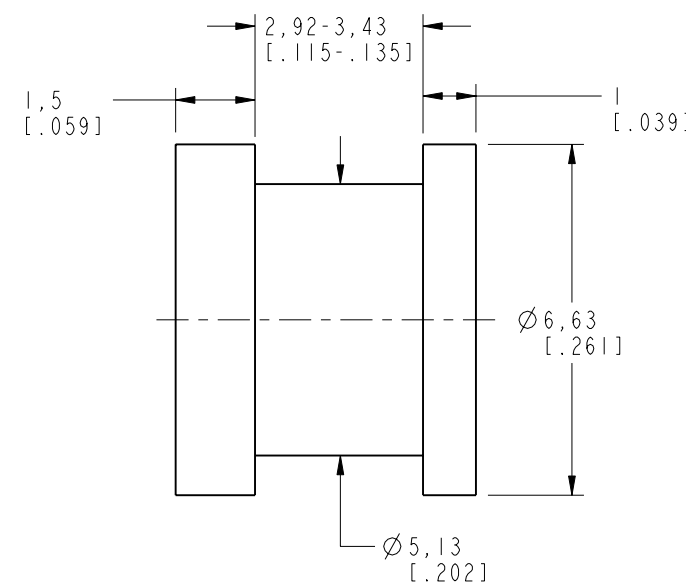
| REV | DESCRIPTION | DATE | ECO | APPR |
|-----|-----------------|-----------|-------|------|
| A | RELEASE TO MFG. | 12-Sep-16 | 01850 | CL |



SCALE 5.000

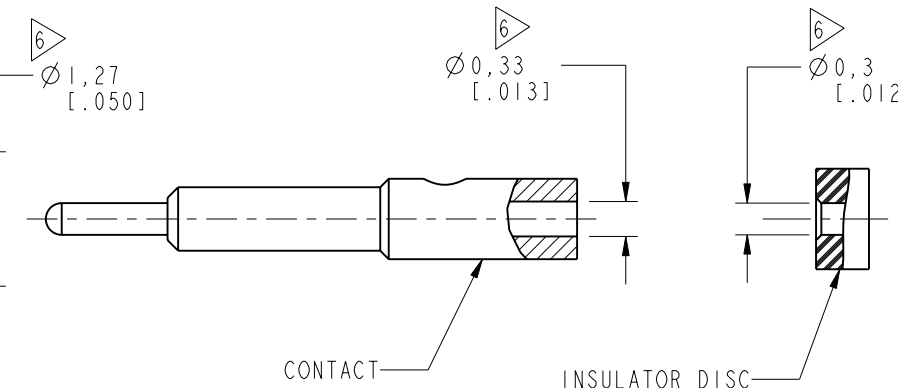
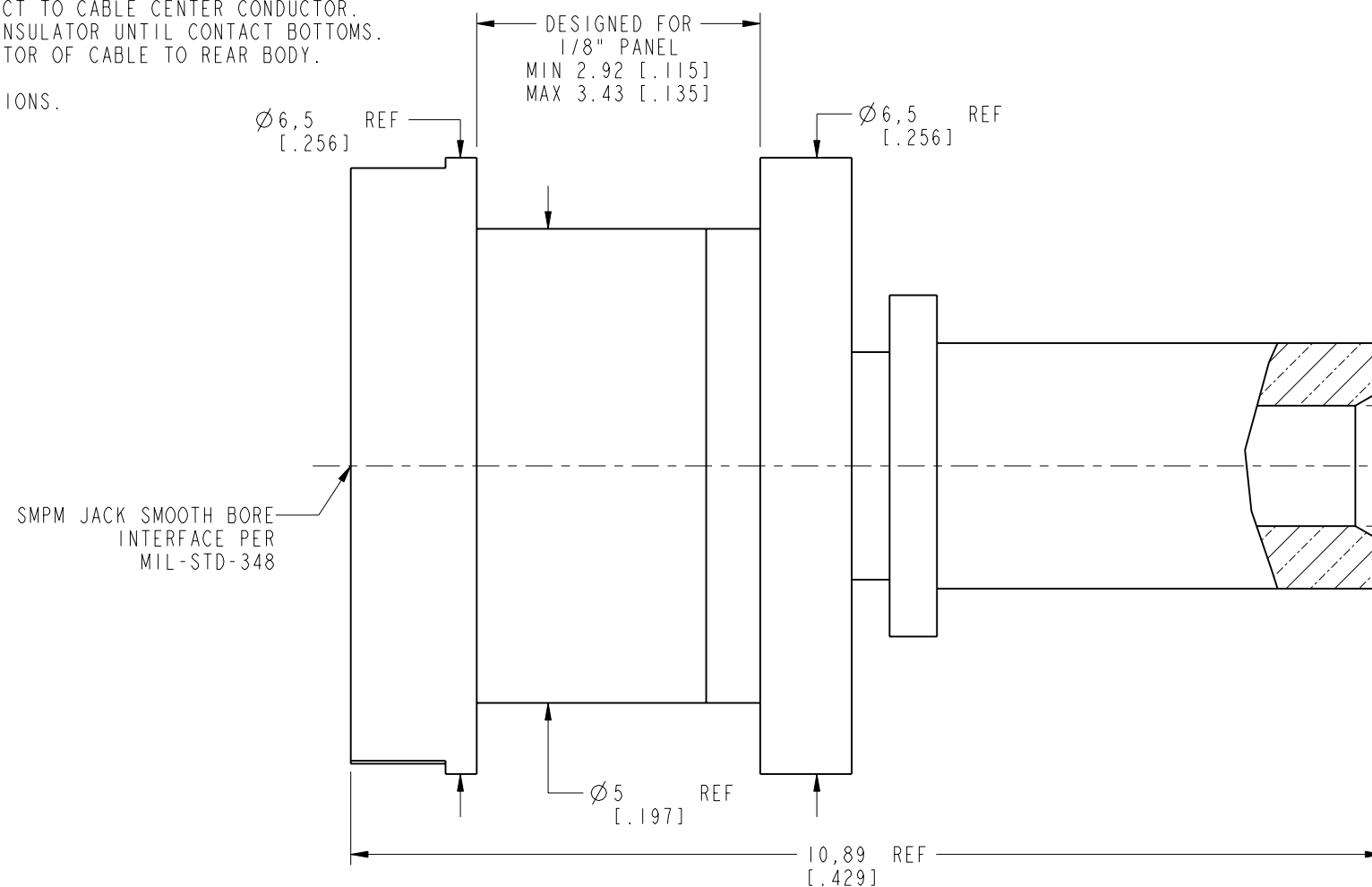


RECOMMENDED CABLE STRIPPING DIMENSIONS



RECOMMENDED MOUNTING HOLE DIMENSIONS

SHOWS CABLE ENTRY DIMENSIONS.



CUSTOMER OUTLINE DRAWING

ALL OTHER SHEETS ARE FOR INTERNAL USE ONLY

| | | | | | | | |
|---|------------------------------|------------|-----------|--|---|-----------------------------------|---|
| UNLESS OTHERWISE SPECIFIED, DIMENSIONS ARE IN METRIC AND TOLERANCES ARE: <0.5mm ±0.05mm 0.5 - 6mm ±0.1mm 6 - 30mm ±0.2mm 30 - 120mm ±0.3mm ANGLES ±1° | MATERIAL | DRAWN | DATE | TITLE SMPM STR BHD JACK FULL DETENT FOR .047" CABLE | | Amphenol RF www.amphenolrf.com | |
| | SEE NOTES | M. ZHANG | 12-Sep-16 | | | | |
| NOTICE - These drawings, specifications, or other data (1) are, and remain the property of Amphenol corp. (2) must be returned upon request; and (3) are confidential and not to be disclosed to any person other than those to whom they are given by Amphenol Corp. the furnishing of these drawings, specifications, or other data by Amphenol Corp., or to any other person to anyone for any purpose is not to be regarded by implication or otherwise in any manner licensing, granting rights to permitting such holder or any other person to manufacture, use or sell any product, process or design, patented or otherwise, that may in any way be related to or disclosed by said drawings, specifications, or other data. | REFERENCE | ENGINEER | DATE | SCALE: 14.0:1.0 | | SHEET 2 OF 2 | |
| | EAR # 5420 | E. WANKOFF | 14-Mar-13 | DWG SIZE | | REV | |
| | CONFIGURATION LEVEL: In Work | APPROVED | S. HSIEH | 14-Sep-16 | B | | A |
| FINISH | | CAD FILE | | | | PART NO. 925-134J-51S | |

X-ON Electronics

Largest Supplier of Electrical and Electronic Components

Click to view similar products for [RF Connectors / Coaxial Connectors](#) category:

Click to view products by [Amphenol](#) manufacturer:

Other Similar products are found below :

[8915-1511-000](#) [89674-0827](#) [6001-7071-019](#) [6002-7051-003](#) [6002-7551-202](#) [6059674-1](#) [619550-1](#) [630059-000](#) [M39030/3-01N](#) [M3933/25-36N](#) [6500-7071-046](#) [6769](#) [CX050L2AQ](#) [7002-1542-011](#) [7004-1512-000](#) [7009-1511-004](#) [7010-1511-000](#) [7029-1511-060](#) [7101-1541-010](#) [7101-1571-002](#) [7105-1521-002](#) [7145-1521-002](#) [7203-1571-003](#) [7209-1511-011](#) [7210-1511-015](#) [7210-1511-019](#) [73137-5015](#) [73216-2241](#) [7325-1512-000](#) [73404-2300](#) [7405-1521-005](#) [7405-1521-802](#) [7406-1521-005](#) [8527](#) [8547](#) [FS11V](#) [8808-1511-001](#) [9049-9513-000](#) [9074-9513-000](#) [9101-9573-002](#) [910A205F](#) [9130-9573-002](#) [PL11SC-026](#) [PL375-33](#) [PL40-5](#) [PL71-9](#) [PL74C-221](#) [PL75MC-217](#) [PL803-7](#) [980-8666-005](#)