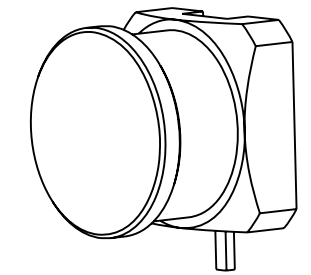


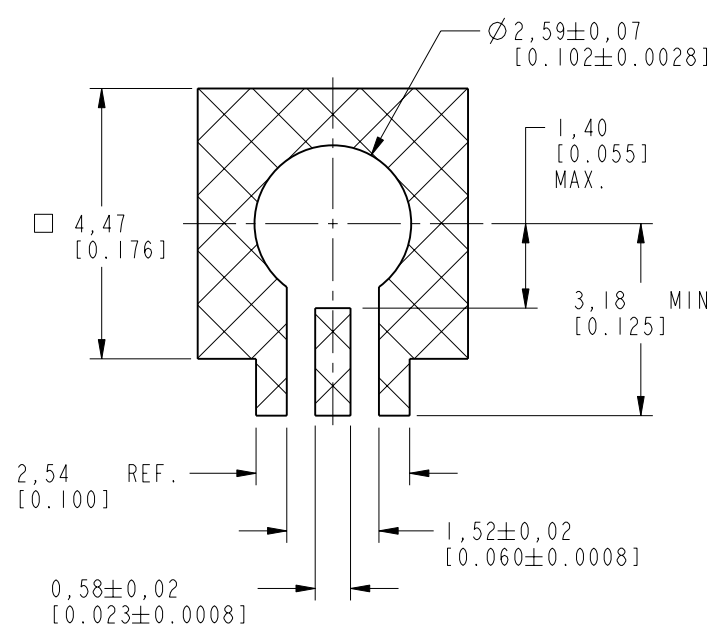
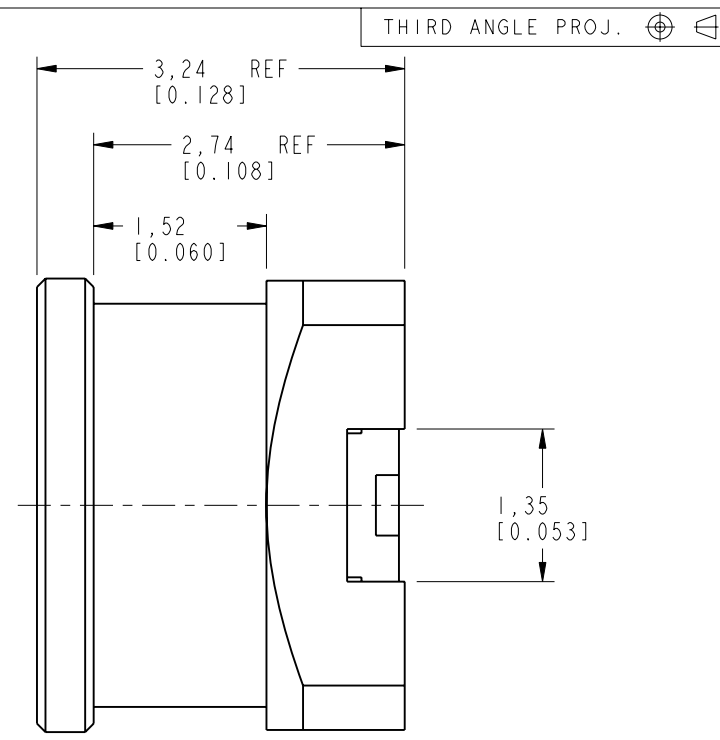
NOTES:

1. MATERIALS & FINISHES:
 BODY - BRASS - GOLD PLATING (0.000030 MIN.)
 CONTACT - BRASS - GOLD PLATING (0.000030 MIN.)
 INSULATOR - LCP, NATURAL
2. ELECTRICAL:
 A. IMPEDANCE : 50 OHM
 B. FREQUENCY RANGE : DC - 10 GHz
 C. CONNECTOR ONLY VSWR: 1.15:1 MAX AT DC - 10 GHz
 D. DIELECTRIC WITHSTANDING VOLTAGE : 500 VRMS MIN.
 E. INSULATION RESISTANCE : 1,000 MEGOHMS MIN.
3. MECHANICAL:
 A. DURABILITY : 100 MATING CYCLES MIN.
 B. TEMPERATURE RANGE : -65°C TO +165°C
4. PACKAGING:
 A. QUANTITY: 50 PCS/TRAY
 B. MARKING: TRAY TO BE MARKED:
 "AMPHENOL RF, 925-144J-51P, DATE CODE"

| | | REVISIONS | | |
|-----|---|-----------|-------|------|
| REV | DESCRIPTION | DATE | ECN | APPR |
| A | RELEASE TO MFG. | 04-JUL-16 | 00941 | RM |
| B | NOTE 4A WAS TAPE AND REEL RD-DMI701240IR3 | 11-FEB-17 | 02466 | RM |
| C | UPDATED FREQUENCY | 28-Nov-18 | 09761 | EH |



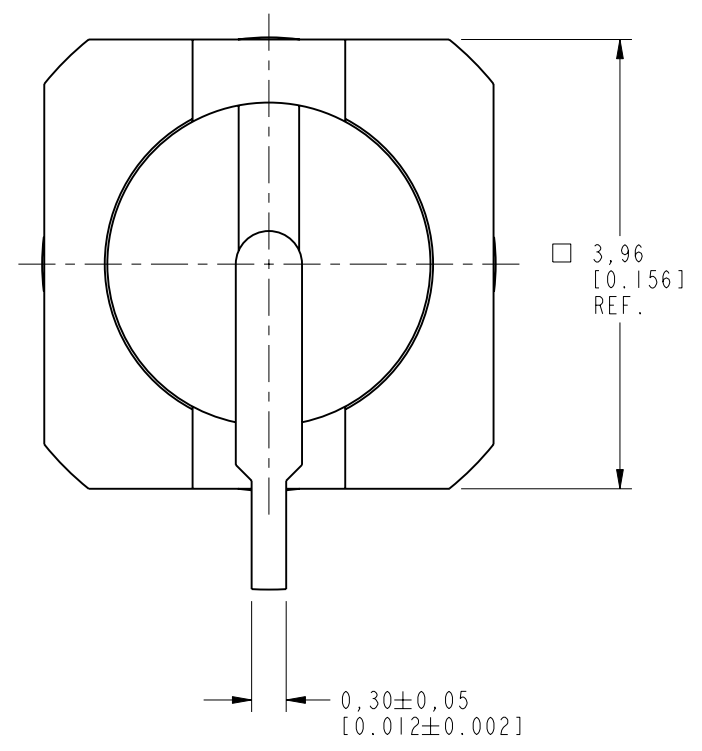
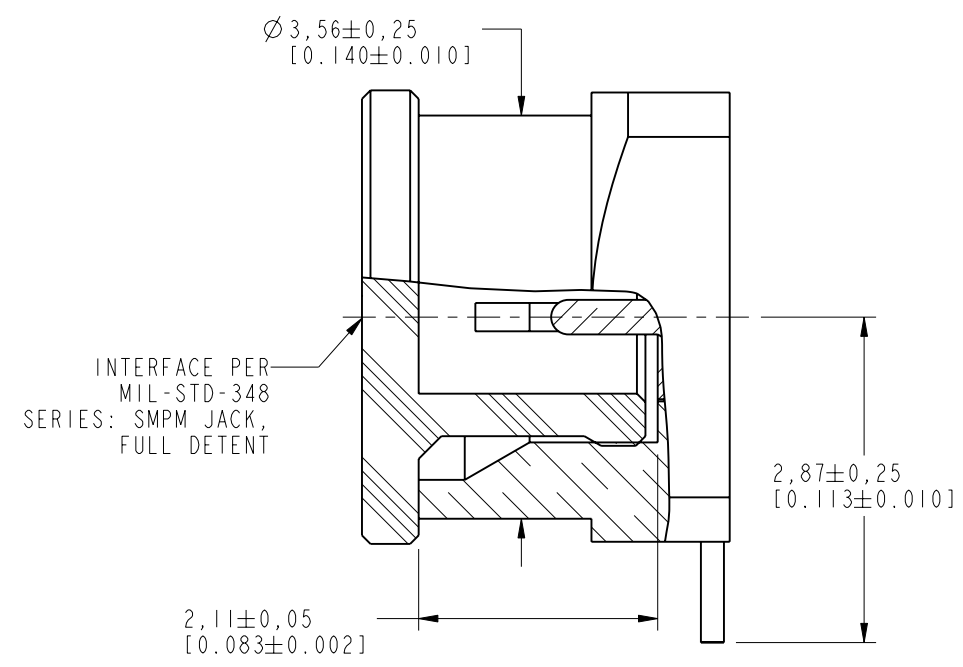
SCALE 7.000



RECOMMENDED PCB LAYOUT

DESIGNED FOR USE WITH 0.25 [0.010] THICK ROGERS 4350 PCB MATERIAL

THESE DIMENSIONS MAY VARY DEPENDING ON PCB MATERIAL USED



CUSTOMER OUTLINE DRAWING
 ALL OTHER SHEETS ARE FOR INTERNAL USE ONLY

| | | | | | |
|---|------------------------------|---------------------|-------------------|--|-----------------------------------|
| UNLESS OTHERWISE SPECIFIED, DIMENSIONS ARE IN METRIC AND TOLERANCES ARE: <0.5mm ±0.05mm 0.5 - 6mm ±0.1mm 6 - 30mm ±0.2mm 30 - 120mm ±0.3mm ANGLES ±1° | MATERIAL SEE NOTES | DRAWN W. ZENG | DATE 29-Nov-18 | TITLE SMPM MALE, SURFACE MOUNT, SMOOTH BORE | Amphenol RF www.amphenolrf.com |
| | REFERENCE EAR# 5317 | ENGINEER S. DUAN | DATE 29-Nov-18 | | |
| NOTICE - These drawings, specifications, or other data (1) are, and remain the property of Amphenol corp. (2) must be returned upon request; and (3) are confidential and not to be disclosed to any person other than those to whom they are given by Amphenol Corp. the furnishing of these drawings, specifications, or other data by Amphenol Corp., or to any other person to anyone for any purpose is not to be regarded by implication or otherwise in any manner licensing, granting rights to permitting such holder or any other person to manufacture, use or sell any product, process or design, patented or otherwise, that may in any way be related to or disclosed by said drawings, specifications, or other data. | REF: | APPROVED FIGO | DATE 29-Nov-18 | SCALE: 15.0:1.0 SHEET 2 OF 2 | ITEM NO. 925-144J-51P |
| | CONFIGURATION LEVEL: In Work | CAD FILE | DWG SIZE B | REV C | PART NO. 925-144J-51P |
| | FINISH | | | | |

X-ON Electronics

Largest Supplier of Electrical and Electronic Components

Click to view similar products for [RF Connectors / Coaxial Connectors](#) category:

Click to view products by [Amphenol](#) manufacturer:

Other Similar products are found below :

[8915-1511-000](#) [89674-0827](#) [6001-7071-019](#) [6002-7051-003](#) [6002-7551-202](#) [6059674-1](#) [619550-1](#) [630059-000](#) [M39030/3-01N](#) [6500-7071-046](#) [6769](#) [CX050L2AQ](#) [7002-1542-011](#) [7004-1512-000](#) [7009-1511-004](#) [7010-1511-000](#) [7029-1511-060](#) [7101-1541-010](#) [7101-1571-002](#) [7105-1521-002](#) [7145-1521-002](#) [7203-1571-003](#) [7209-1511-011](#) [7210-1511-015](#) [7210-1511-019](#) [73137-5015](#) [73216-2241](#) [73404-2300](#) [7405-1521-005](#) [7405-1521-802](#) [7406-1521-005](#) [8527](#) [8547](#) [FS11V](#) [8808-1511-001](#) [9049-9513-000](#) [9074-9513-000](#) [9101-9573-002](#) [910A205F](#) [9130-9573-002](#) [PL11SC-026](#) [PL375-33](#) [PL40-5](#) [PL71-9](#) [PL74C-221](#) [PL75MC-217](#) [PL803-7](#) [980-8666-005](#) [1200690078](#) [1-201144-1](#)