

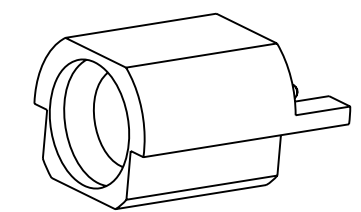
NOTES:

1. MATERIALS AND FINISHES:
 BODY - BRASS, GOLD PLATING
 CONTACT - BeCu, GOLD PLATING
 INSULATOR - PTFE, NATURAL
2. ELECTRICAL:
 A. IMPEDANCE: 50 OHM
 B. FREQUENCY RANGE: DC - 40 GHz
 C. VSWR (RETURN LOSS): 1.15:1 MAX (23 dB MIN) @ DC-10 GHz
 1.25:1 MAX (19 dB MIN) @ 10-26.5 GHz
 1.35:1 MAX (17 dB MIN) @ 26.5-40 GHz
 CONNECTOR ONLY, PERFORMANCE WILL VARY
 BASED ON BOARD LAYOUT
 D. DIELECTRIC WITHSTANDING VOLTAGE: 500 VRMS, MIN.
 E. INSULATOR RESISTANCE: 5000 MEGAOHMS MIN
 F. CONTACT RESISTANCE:
 CENTER CONTACT: 6 MILLIOHM, MAX

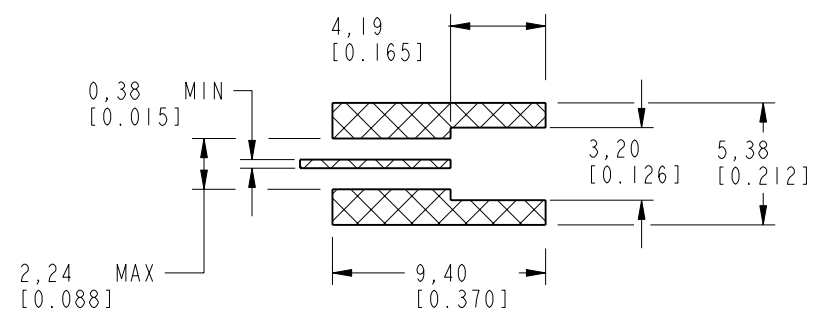
3. MECHANICAL:
 A. ENGAGEMENT FORCE: 2.5 LBS (11.12 N)MAX.
 B. DISENGAGEMENT FORCE: 1.5 LBS (6.67 N) MIN.
 C. CONTACT RETENTION: 1.5 LBS (6.67 N) MIN AXIAL FORCE.
 D. DURABILITY: 100 CYCLES MIN.
 E. TEMPERATURE RANGE: -65°C TO +165°C
5. PACKAGING:
 A. QUANTITY: SINGLE PACK
 B. MARKING: BAG TO BE MARKED
 "AMPHENOL RF, 925-169J-51P, AND DATE CODE"

THIRD ANGLE PROJ.

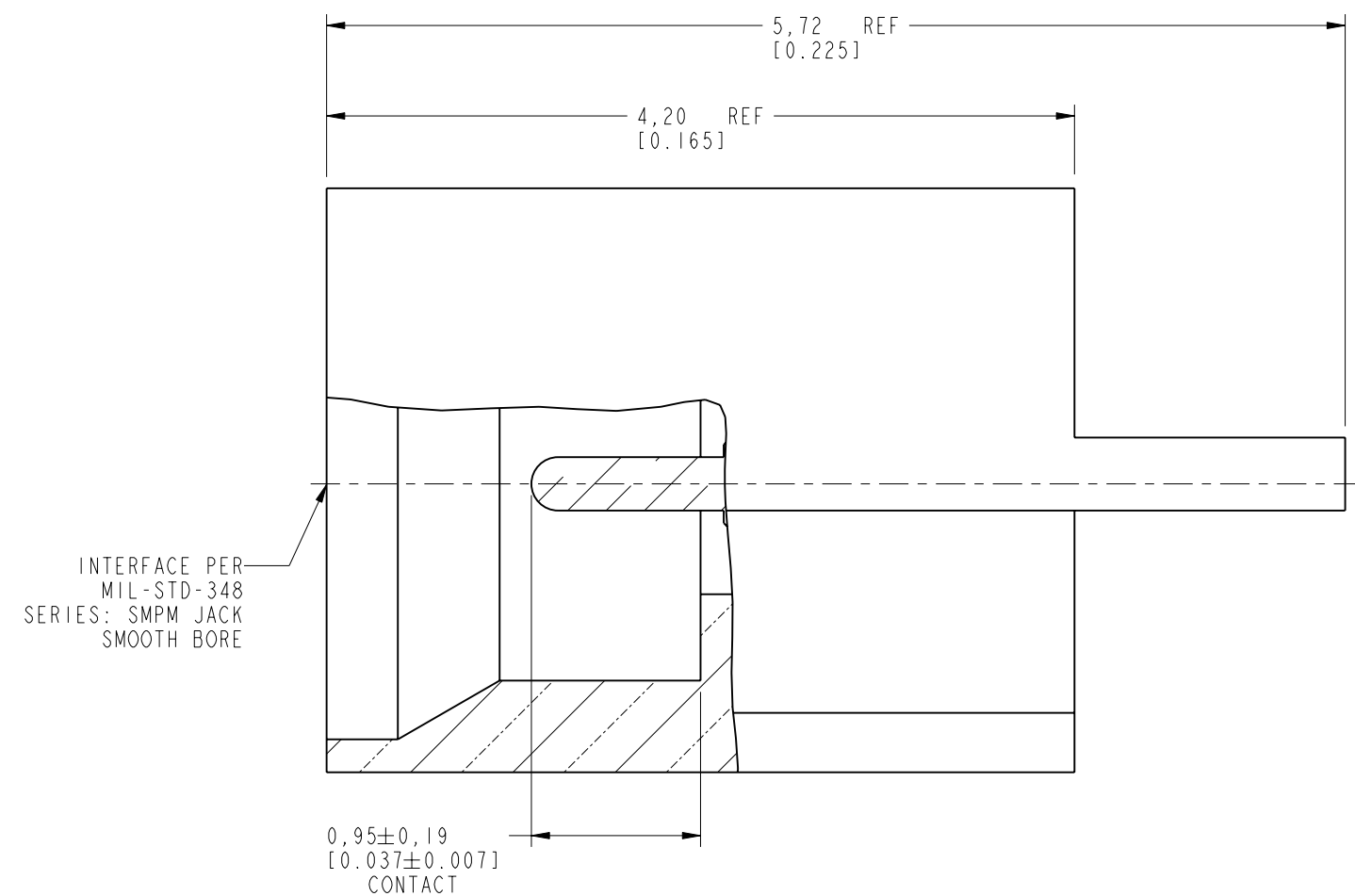
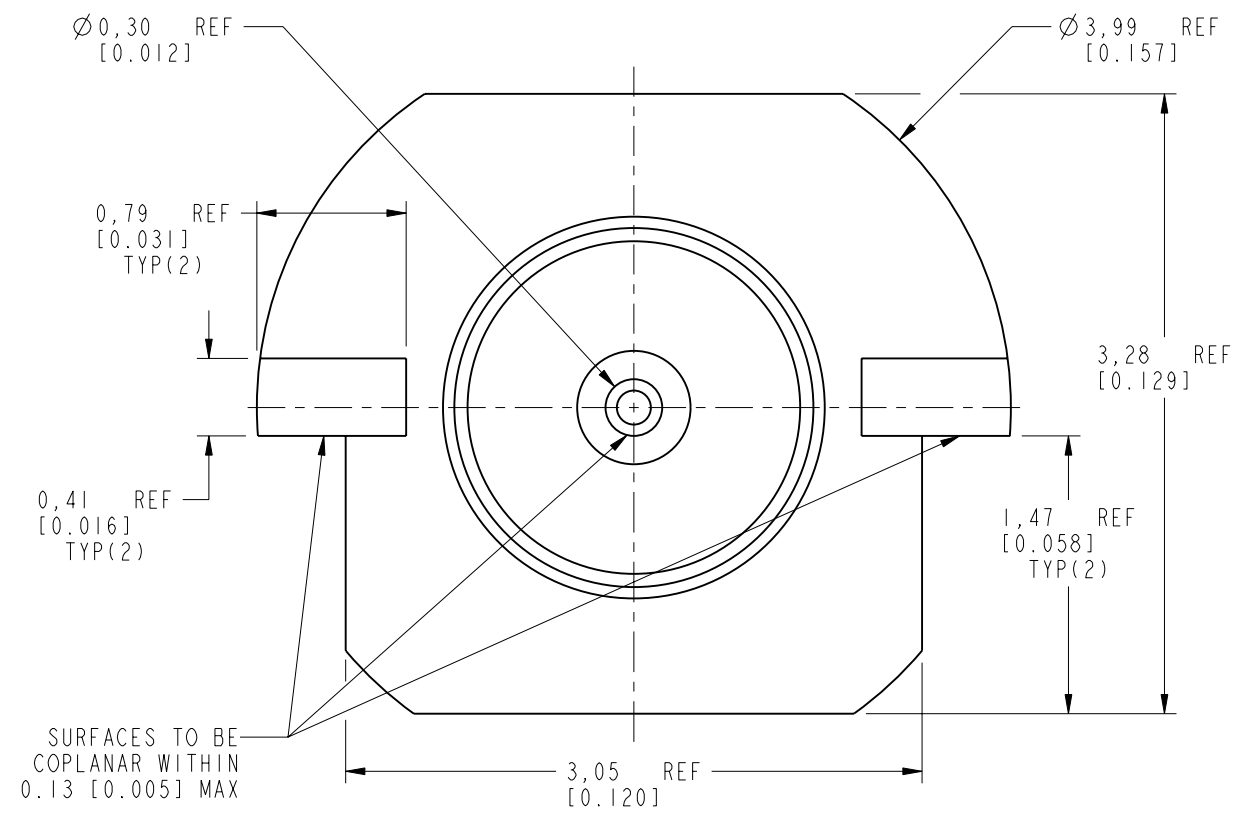
REV		DESCRIPTION	DATE	ECN	APPR
A		RELEASE TO MFG.	12-Jun-17	04003	BMG
B		OPTIMIZE COMPONENTS STRUCTURE FOR GOOD COAXIALITY	27-Mar-18	07445	MR



SCALE 6.000



RECOMMENDED PCB LAYOUT



CUSTOMER OUTLINE DRAWING

ALL OTHER SHEETS ARE FOR INTERNAL USE ONLY

UNLESS OTHERWISE SPECIFIED, DIMENSIONS ARE IN METRIC AND TOLERANCES ARE: <0.5mm ±0.05mm 0.5 - 6mm ±0.1mm 6 - 30mm ±0.2mm 30 - 120mm ±0.3mm ANGLES ±1°	MATERIAL	DRAWN	DATE	TITLE	Amphenol RF www.amphenolrf.com DRAWING NO. 925-169J-51P ITEM NO. 925-169J-51P PART NO. 925-169J-51P
	SEE NOTES	S. DUAN	27-Mar-18		
	REFERENCE	ENGINEER	DATE	SCALE: 25.0:1.0 SHEET 2 OF 2	
	EAR# 7607	B. GREENBAUM	12-Jun-17		
REF:	APPROVED	S. HSIEH	29-Mar-18	B	B
CONFIGURATION LEVEL: In Work	CAD FILE				
FINISH					

X-ON Electronics

Largest Supplier of Electrical and Electronic Components

Click to view similar products for [RF Connectors / Coaxial Connectors](#) category:

Click to view products by [Amphenol](#) manufacturer:

Other Similar products are found below :

[8915-1511-000](#) [89674-0827](#) [6001-7071-019](#) [6002-7051-003](#) [6002-7551-202](#) [6059674-1](#) [619550-1](#) [630059-000](#) [M39030/3-01N](#) [M3933/25-36N](#) [6500-7071-046](#) [6769](#) [CX050L2AQ](#) [7002-1542-011](#) [7004-1512-000](#) [7009-1511-004](#) [7010-1511-000](#) [7029-1511-060](#) [7101-1541-010](#) [7101-1571-002](#) [7105-1521-002](#) [7145-1521-002](#) [7203-1571-003](#) [7209-1511-011](#) [7210-1511-015](#) [7210-1511-019](#) [73137-5015](#) [73216-2241](#) [7325-1512-000](#) [73404-2300](#) [7405-1521-005](#) [7405-1521-802](#) [7406-1521-005](#) [8527](#) [8547](#) [FS11V](#) [8808-1511-001](#) [9049-9513-000](#) [9074-9513-000](#) [9101-9573-002](#) [910A205F](#) [9130-9573-002](#) [PL11SC-026](#) [PL375-33](#) [PL40-5](#) [PL71-9](#) [PL74C-221](#) [PL75MC-217](#) [PL803-7](#) [980-8666-005](#)