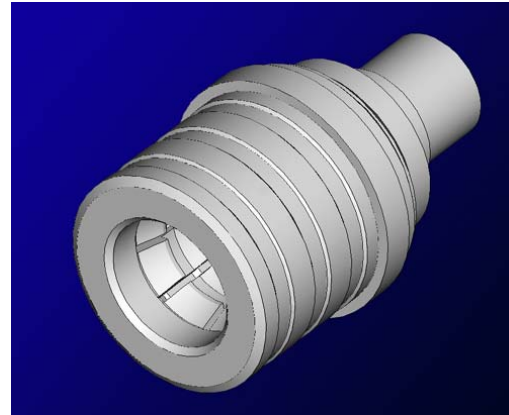


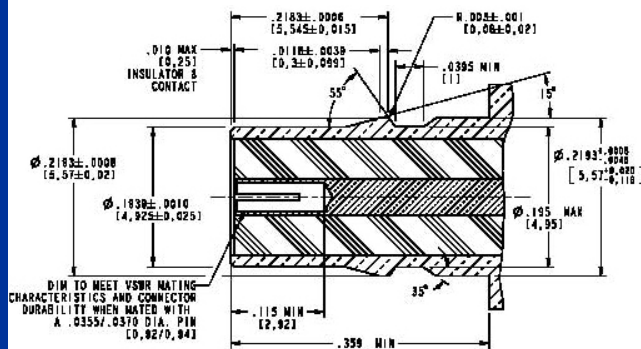
Amphenol® RF

QMA Connectors

Amphenol RF's QMA connector series is a quick disconnect version of the SMA connector. Instead of using a threaded coupling mechanism, a new snap-lock mechanism is used. This allows the QMA series to maintain very similar electrical performance, while providing the additional benefits of quicker installation and denser packaging solutions for your RF requirements.



930-108P-51S



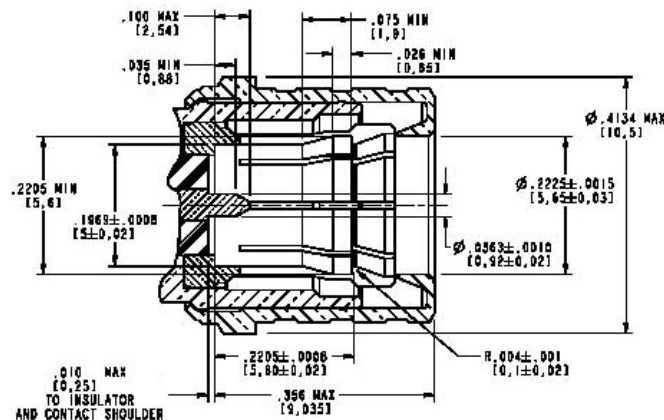
QMA Jack Interface

Applications:

- Base Stations
- Instrumentation
- Process Controls
- Cable Assemblies
- Mil/Aero
- Telecom
- Components
- PC/LAN

Features:

- Operates at the same electrical performance as SMA up to 6 GHz
- Snap-on interface for quick and easy installation (can be installed 10x faster than SMA)
- Snap-Lock mechanism removes requirement for wrench clearance, allowing for denser packaging
- Rotatable 360° after connection for flexibility with installation



QMA Plug Interface

QMA Connectors

Ordering Information:

Part Number Overview

930-1XXY – 51Z

930: QMA Series

XX: Sequential #

Y: Connector Sex

- P (Plug)
- J (Jack)

Z: Body Style

- S (Straight)
- A (Right Angle)

Available QMAs

Cable Plugs

930-103P-51A: R/A Plug for .141 Semi-Rigid

930-104P-51A: R/A Plug for .086 Semi-Rigid

930-106P-51A: R/A Plug for LMR240

930-108P-51S: Straight Plug for .141 Semi-Rigid

930-110P-51A: R/A Plug for RG58

Jacks

930-102J-51P: Straight Jack PCB Thru-Hole

930-105J-51P: Straight Jack Press Fit Receptacle

930-107J-51P: Straight Jack Surface Mount Thru-Hole

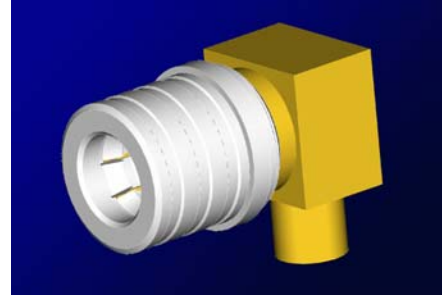
930-109J-51S: 4-Hole Flange Panel Mount Receptacle

930-111J-51P: Bulkhead R/A Surface Mount

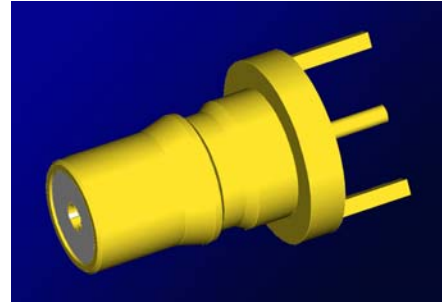
Adapters

930-100A-51S: Jack to SMA Jack Adapter

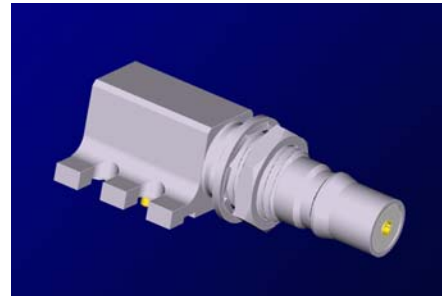
930-101A-51S: Plug to SMA Jack Adapter



930-103P-51A



930-102J-51P



930-111J-51P

| Item | Specification | Conditions |
|-------------------------------------|---------------------------------|-----------------|
| 1. Impedance | 50 Ω (Nominal) | |
| 2. Frequency Range | DC to 6 GHz | |
| 3. V.S. W. R. (Straight connectors) | 1.05 max. | DC to 3 GHz |
| | 1.12 max. | 3 to 6 GHz |
| 4. RF Leakage | -80 dB to 3 GHz | -70 dB to 6 GHz |
| 5. Power Handling | 125 W at 40°C | |
| 6. Durability | 100 cycles | |
| 7. Engagement Force | 25 N (5.6 lb) Typical | |
| 8. Disengagement Force | 20 N (4.5 lb) Typical | |
| 9. Retention Force of Interface | 60 N (13.5 lb) min | |
| 10. Temperature Range | -40°C to +80°C | |
| 11. Materials | | |
| Body | White bronze over brass | |
| Solder Body | Gold over brass | |
| Pin Contact | Gold over brass | |
| Socket Contact | Gold over beryllium copper | |
| Outer Contact | White bronze over spring bronze | |
| Insulator | PTFE | |
| Crimp Ferrule | White bronze over copper | |

X-ON Electronics

Largest Supplier of Electrical and Electronic Components

Click to view similar products for [RF Connectors / Coaxial Connectors](#) category:

Click to view products by [Amphenol](#) manufacturer:

Other Similar products are found below :

[8915-1511-000](#) [89674-0827](#) [6001-7071-019](#) [6002-7051-003](#) [6002-7551-202](#) [6059674-1](#) [619550-1](#) [630059-000](#) [M39030/3-01N](#) [M3933/25-36N](#) [6500-7071-046](#) [6769](#) [CX050L2AQ](#) [7002-1542-011](#) [7004-1512-000](#) [7009-1511-004](#) [7010-1511-000](#) [7029-1511-060](#) [7101-1541-010](#) [7101-1571-002](#) [7105-1521-002](#) [7145-1521-002](#) [7203-1571-003](#) [7209-1511-011](#) [7210-1511-015](#) [7210-1511-019](#) [73137-5015](#) [73216-2241](#) [7325-1512-000](#) [73404-2300](#) [7405-1521-005](#) [7405-1521-802](#) [7406-1521-005](#) [8527](#) [8547](#) [FS11V](#) [8808-1511-001](#) [9049-9513-000](#) [9074-9513-000](#) [9101-9573-002](#) [910A205F](#) [9130-9573-002](#) [PL11SC-026](#) [PL375-33](#) [PL40-5](#) [PL71-9](#) [PL74C-221](#) [PL75MC-217](#) [PL803-7](#) [980-8666-005](#)