

NOTES:

1. MATERIALS AND FINISHES:

- CONTACT - BRASS, GOLD PLATED
- BODY - BRASS, WHITE BRONZE PLATED
- SLEEVE - BRASS, WHITE BRONZE PLATED
- FERRULE - COPPER, WHITE BRONZE PLATED
- CAP - BRASS, WHITE BRONZE PLATED
- OUTER CONTACT - PHOSPHOR BRONZE, WHITE BRONZE PLATED
- INSULATOR - PTFE, NATURAL

2. ELECTRICAL:

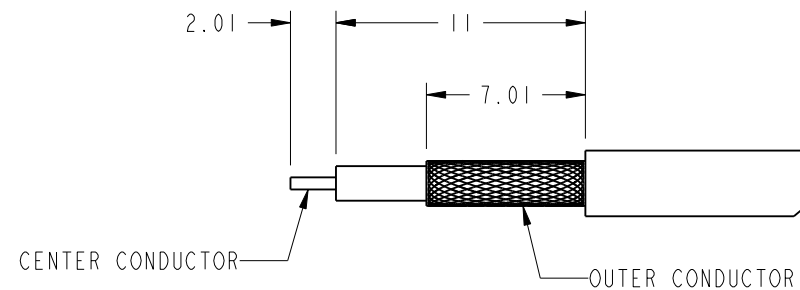
- A. IMPEDANCE: 50 OHM
- B. FREQUENCY RANGE = DC to 6 GHz
- C. DIELECTRIC WITHSTANDING VOLTAGE: 1000 VRMS, MIN.
- D. VSWR = 1.15 +.03F

3. MECHANICAL:

- A. OPERATING TEMPERATURE = -65°C to +165°C
- B. INTERFACE = PER AMPHENOL RF SPEC. 349-50692
- C. CONTACT RETENTION = 6.0 LBS. AXIAL

4. CABLE ASSEMBLY INSTRUCTIONS PER:

- A. TRIM CABLE AS SHOWN
- B. INSERT CABLE INTO R/A ENTRY W/ BRAID OVER KNURLED AREA, FOIL UNDER
- C. CRIMP FERRULE W/ .151" HEX
- D. SOLDER CENTER CONDUCTOR TO CONTACT THROUGH ACCESS HOLE
- E. DEPRESS EXPANSION CAP IN ACCESS HOLE.

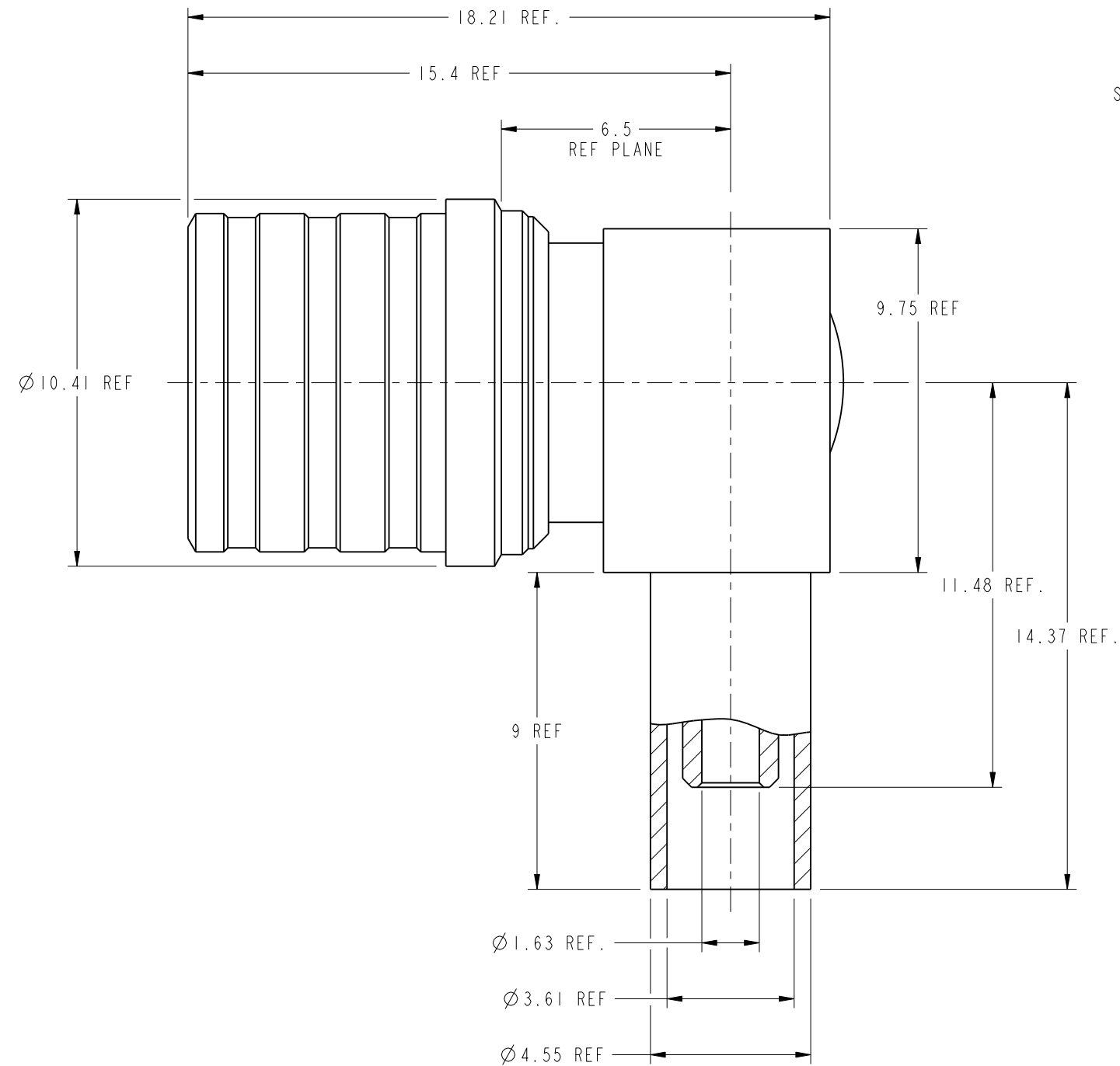


RECOMMENDED CABLE STRIPPING DIMENSIONS

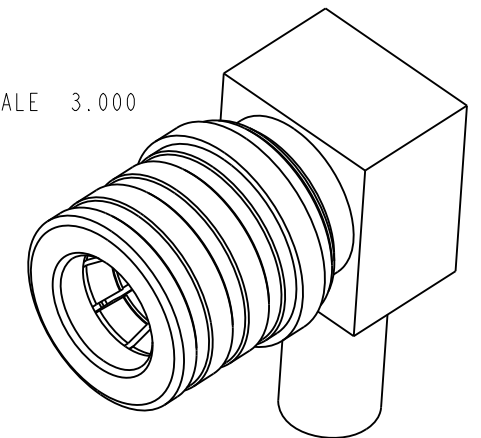
THIRD ANGLE PROJ.

REVISIONS

REV	DESCRIPTION	DATE	ECO	APPR
A	RELEASE TO MFG.	21-Mar-03		CPM
E	BODY, CONTACT PIN AND FERRULE'S PN WERE CHANGED	28-Mar-11	48509	SH
F	Ø1.55 REF. WAS Ø1.63 REF. /RD-DMI2030901R	20-Mar-12		SH
G	BODY WAS CHANGED	24-Dec-12	48990	SH



SCALE 3.000



CUSTOMER OUTLINE DRAWING

ALL OTHER SHEETS ARE FOR INTERNAL USE ONLY

<p>UNLESS OTHERWISE SPECIFIED, DIMENSIONS ARE IN METRIC AND TOLERANCES ARE: <0.5mm ±0.05mm 0.5 - 6mm ±0.1mm 6 - 30mm ±0.2mm 30 - 120mm ±0.3mm ANGLES ±1°</p>	MATERIAL	DRAWN T. DENG	DATE 24-Dec-12	<p>TITLE QMA 50 OHM R/A PLUG FOR RD-316 TYPE CABLE</p>	<p>Amphenol RF www.amphenolrf.com</p>	
	<p>NOTICE - These drawings, specifications, or other data (1) are, and remain the property of Amphenol corp. (2) must be returned upon request; and (3) are confidential and not to be disclosed to any person other than those to whom they are given by Amphenol Corp. the furnishing of these drawings, specifications, or other data by Amphenol Corp., or to any other person to anyone for any purpose is not to be regarded by implication or otherwise in any manner licensing, granting rights to permitting such holder or any other person to manufacture, use or sell any product, process or design, patented or otherwise, that may in any way be related to or disclosed by said drawings, specifications, or other data.</p>	REFERENCE EAR #944 GEN #ASSYMI_QMA 615X-1909-100 CONFIGURATION LEVEL:	ENGINEER S. LI			DATE 24-Dec-12
FINISH		APPROVED S. HSIEH	DATE 24-Dec-12	DWG SIZE B	REV G	ITEM NO. 930-114P-51A
		CAD FILE				PART NO. 930-114P-51A

X-ON Electronics

Largest Supplier of Electrical and Electronic Components

Click to view similar products for [RF Connectors / Coaxial Connectors](#) category:

Click to view products by [Amphenol](#) manufacturer:

Other Similar products are found below :

[8915-1511-000](#) [89674-0827](#) [6001-7071-019](#) [6002-7051-003](#) [6002-7551-202](#) [6059674-1](#) [619550-1](#) [630059-000](#) [M39030/3-01N](#) [M3933/25-36N](#) [6500-7071-046](#) [6769](#) [CX050L2AQ](#) [7002-1542-011](#) [7004-1512-000](#) [7009-1511-004](#) [7010-1511-000](#) [7029-1511-060](#) [7101-1541-010](#) [7101-1571-002](#) [7105-1521-002](#) [7145-1521-002](#) [7203-1571-003](#) [7209-1511-011](#) [7210-1511-015](#) [7210-1511-019](#) [73137-5015](#) [73216-2241](#) [7325-1512-000](#) [73404-2300](#) [7405-1521-005](#) [7405-1521-802](#) [7406-1521-005](#) [8527](#) [8547](#) [FS11V](#) [8808-1511-001](#) [9049-9513-000](#) [9074-9513-000](#) [9101-9573-002](#) [910A205F](#) [9130-9573-002](#) [PL11SC-026](#) [PL375-33](#) [PL40-5](#) [PL71-9](#) [PL74C-221](#) [PL75MC-217](#) [PL803-7](#) [980-8666-005](#)