

NOTES:

1. MATERIALS AND FINISHES:

BODY - BRASS, GOLD PLATING (.000030" MIN THICK)

CONTACT - BERYLLIUM COPPER, GOLD PLATING (.000030" MIN THICK)

INSULATOR - PTFE

HEX NUT - BRASS, GOLD PLATING (.000010" MIN THICK)

LOCK WASHER -PHOSPHOR BRONZE, NICKEL PLATING (.000100" MIN THICK)

O-RING: SILICONE RUBBER

2. ELECTRICAL:

A. IMPEDANCE: 50 OHM

B. FREQUENCY RANGE: DC - 11 GHz

C. VSWR(RETURN LOSS): 1.22 (20 dB) MAX 0-6 GHz

1.29 (18 dB) MAX 6-11 GHz

D. DIELECTRIC WITHSTANDING VOLTAGE: 1000 VRMS, MIN.

3. MECHANICAL:

A. DURABILITY: 100 CYCLES MIN.

B. TEMPERATURE RANGE: -40° C TO +85° C

4. PACKAGING:

A. QUANTITY: SINGLE PACK

B. MARKING: BAG TO BE MARKED

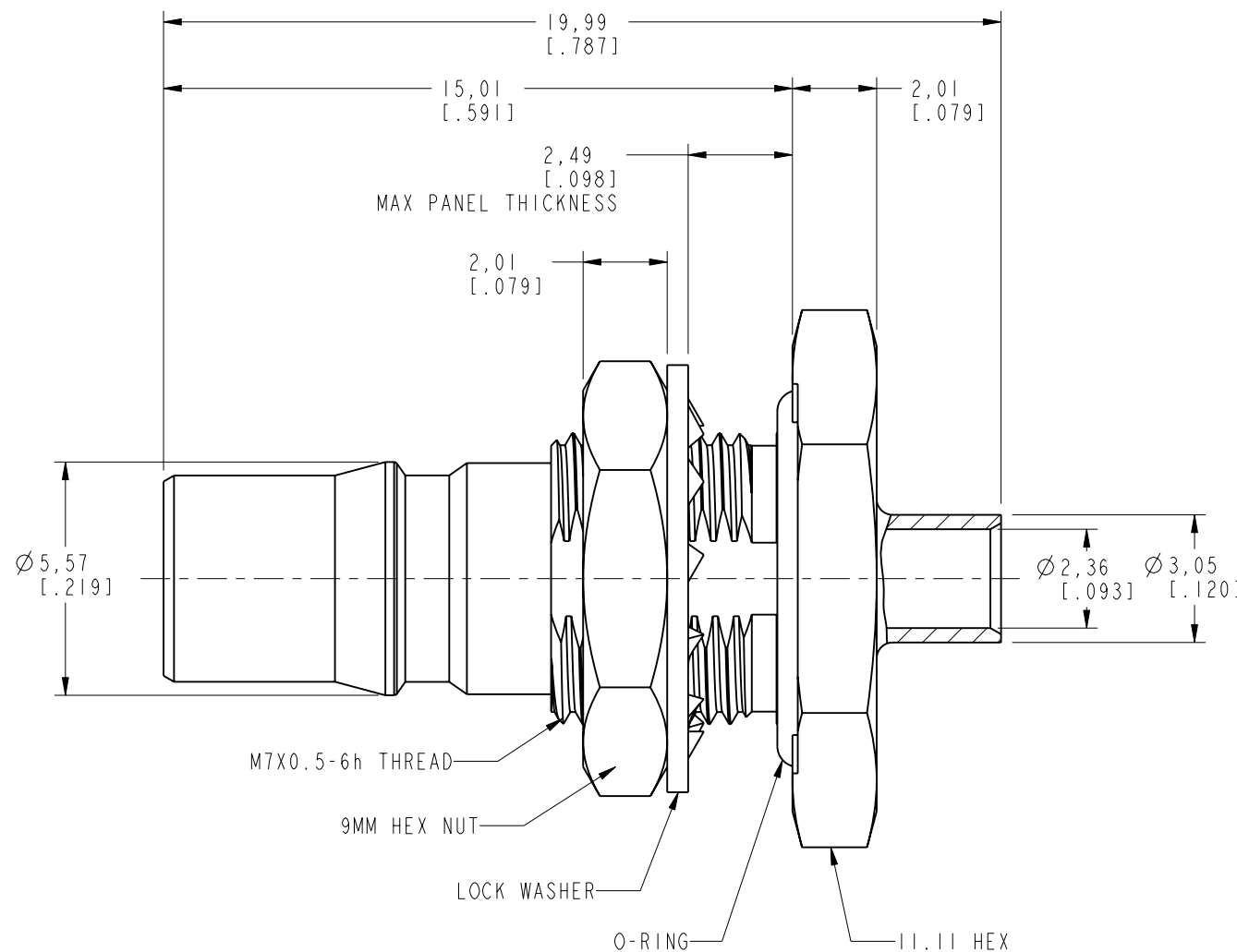
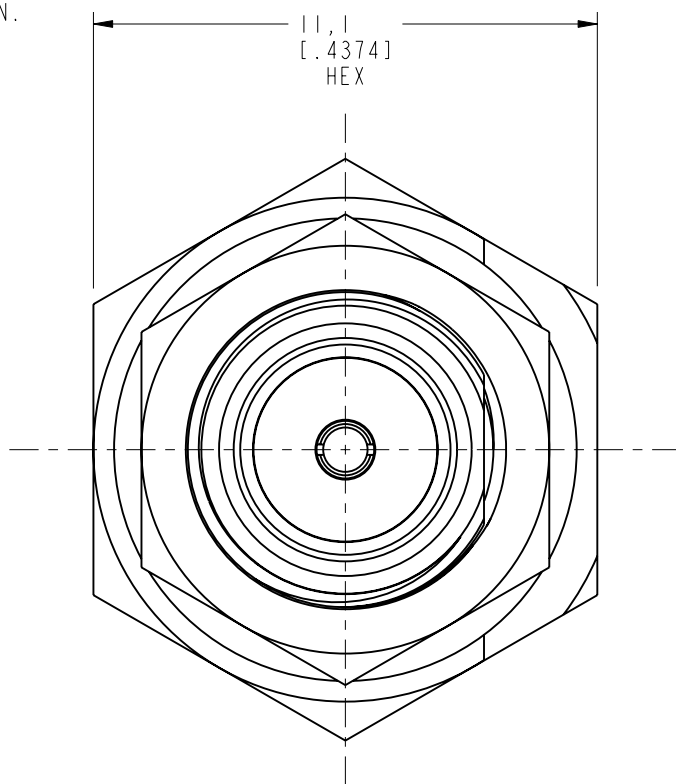
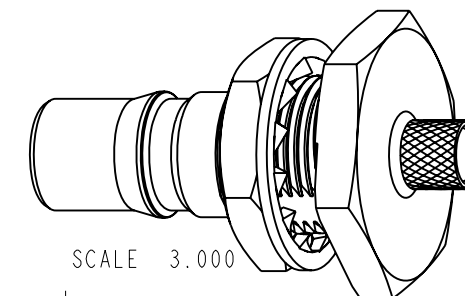
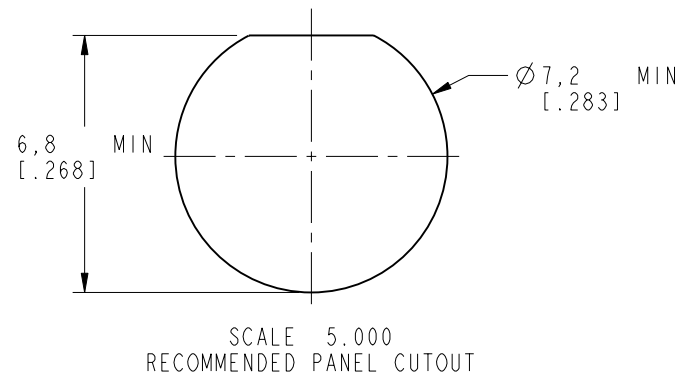
"AMPHENOL, 930-121J-51S, AND DATE CODE"

5. ASSEMBLE CONNECTOR TO CABLE PER 349-50723

THIRD ANGLE PROJ.

REVISIONS

| REV | DESCRIPTION                             | DATE      | ECO   | APPR |
|-----|---|-----------|-------|------|
| A   | RELEASE TO MFG.                         | 9/21/04   | 45162 | MAH  |
| B   | LOCK WASHER WAS CHANGED\RD-DMI3120401R3 | 16-Dec-13 | 48614 | MJS  |
| C   | ADDED RECOMMENDED PANEL CUTOUT          | 16-Dec-13 | 49595 | RLB  |



**CUSTOMER OUTLINE DRAWING**

ALL OTHER SHEETS ARE FOR INTERNAL USE ONLY

|  |  |                       |                   |  |               |   |
|--|--|-----------------------|-------------------|--|---------------|---|
| <p>UNLESS OTHERWISE SPECIFIED, DIMENSIONS ARE IN METRIC AND TOLERANCES ARE:<br/>                 &lt;0.5mm ±0.05mm    0.5 - 6mm ±0.1mm    6 - 30mm ±0.2mm    30 - 120mm ±0.3mm    ANGLES ±1°</p>   | MATERIAL   | DRAWN<br>R. MAO       | DATE<br>12-Dec-13 | <p>TITLE<br/>QMA JACK BULKHEAD TO<br/>RG-405/SR .086 CABLE</p> |               | <p>Amphenol RF<br/>Danbury CT USA, Tainan, Taiwan, Shenzhen, China<br/>www.amphenolrf.com</p> |
|  | REFERENCE<br>EAR# 1179<br>GEN# ASSYF7-QMA<br>615X-2041-100 | ENGINEER<br>M. HOYACK | DATE<br>12-May-04 |  |               |   |
| <p>NOTICE - These drawings, specifications, or other data (1) are, and remain the property of Amphenol corp. (2) must be returned upon request; and (3) are confidential and not to be disclosed to any person other than those to whom they are given by Amphenol Corp. the furnishing of these drawings, specifications, or other data by Amphenol Corp., or to any other person to anyone for any purpose is not to be regarded by implication or otherwise in any manner licensing, granting rights to permitting such holder or any other person to manufacture, use or sell any product, process or design, patented or otherwise, that may in any way be related to or disclosed by said drawings, specifications, or other data.</p> | FINISH   | APPROVED<br>S. HSIEH  | DATE<br>16-Dec-13 | SCALE: 6.0:1.0   | SHEET 2 OF 2  | ITEM NO. 930-121J-51S   |
|  |  |                       | CAD FILE          |  | DWG SIZE<br>B | REV<br>C  |

## X-ON Electronics

Largest Supplier of Electrical and Electronic Components

*Click to view similar products for [RF Connectors / Coaxial Connectors](#) category:*

*Click to view products by [Amphenol](#) manufacturer:*

Other Similar products are found below :

[8915-1511-000](#) [89674-0827](#) [6001-7071-019](#) [6002-7051-003](#) [6002-7551-202](#) [6059674-1](#) [619550-1](#) [630059-000](#) [M39030/3-01N](#) [6500-7071-046](#) [6769](#) [CX050L2AQ](#) [7002-1542-011](#) [7004-1512-000](#) [7009-1511-004](#) [7010-1511-000](#) [7029-1511-060](#) [7101-1541-010](#) [7101-1571-002](#) [7105-1521-002](#) [7145-1521-002](#) [7203-1571-003](#) [7209-1511-011](#) [7210-1511-015](#) [7210-1511-019](#) [73137-5015](#) [73216-2241](#) [7325-1512-000](#) [73404-2300](#) [7405-1521-005](#) [7405-1521-802](#) [7406-1521-005](#) [8527](#) [8547](#) [FS11V](#) [8808-1511-001](#) [9049-9513-000](#) [9074-9513-000](#) [9101-9573-002](#) [910A205F](#) [9130-9573-002](#) [PL11SC-026](#) [PL375-33](#) [PL40-5](#) [PL71-9](#) [PL74C-221](#) [PL75MC-217](#) [PL803-7](#) [980-8666-005](#) [1200690078](#)