

NOTES:

1. MATERIALS AND FINISHES:

BODY - BRASS, GOLD PLATED (.000010 MIN.) OVER WHITE BRONZE (.000080 MIN.)
 CONTACT - BERYLLIUM COPPER, GOLD PLATED (.000030 MIN.) OVER WHITE BRONZE (.000080 MIN.)
 INSULATORS - TFE FLUOROCARBON

2. ELECTRICAL:

A. IMPEDANCE: 50 OHM, NOMINAL
 B. FREQUENCY RANGE: DC - 6.0 GHz
 C. VSWR(RETURN LOSS): 1.300 (-17.7 dB), MAX.
 D. D.W.V.: 1000 VRMS, MIN.

3. MECHANICAL:

A. DURABILITY: 100 CYCLES MIN.
 B. TEMPERATURE RANGE: -40° C TO +80° C

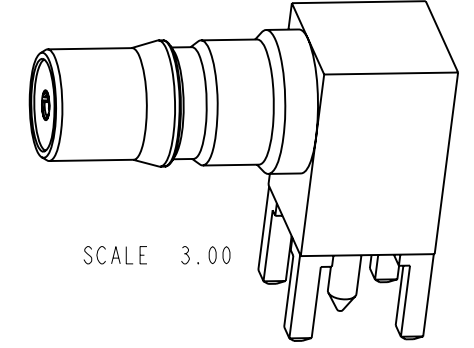
4. PACKAGING:

A. QUANTITY: SINGLE PACK
 B. BAG MARKING: AMPHENOL
 930-128J-51P
 DATE CODE

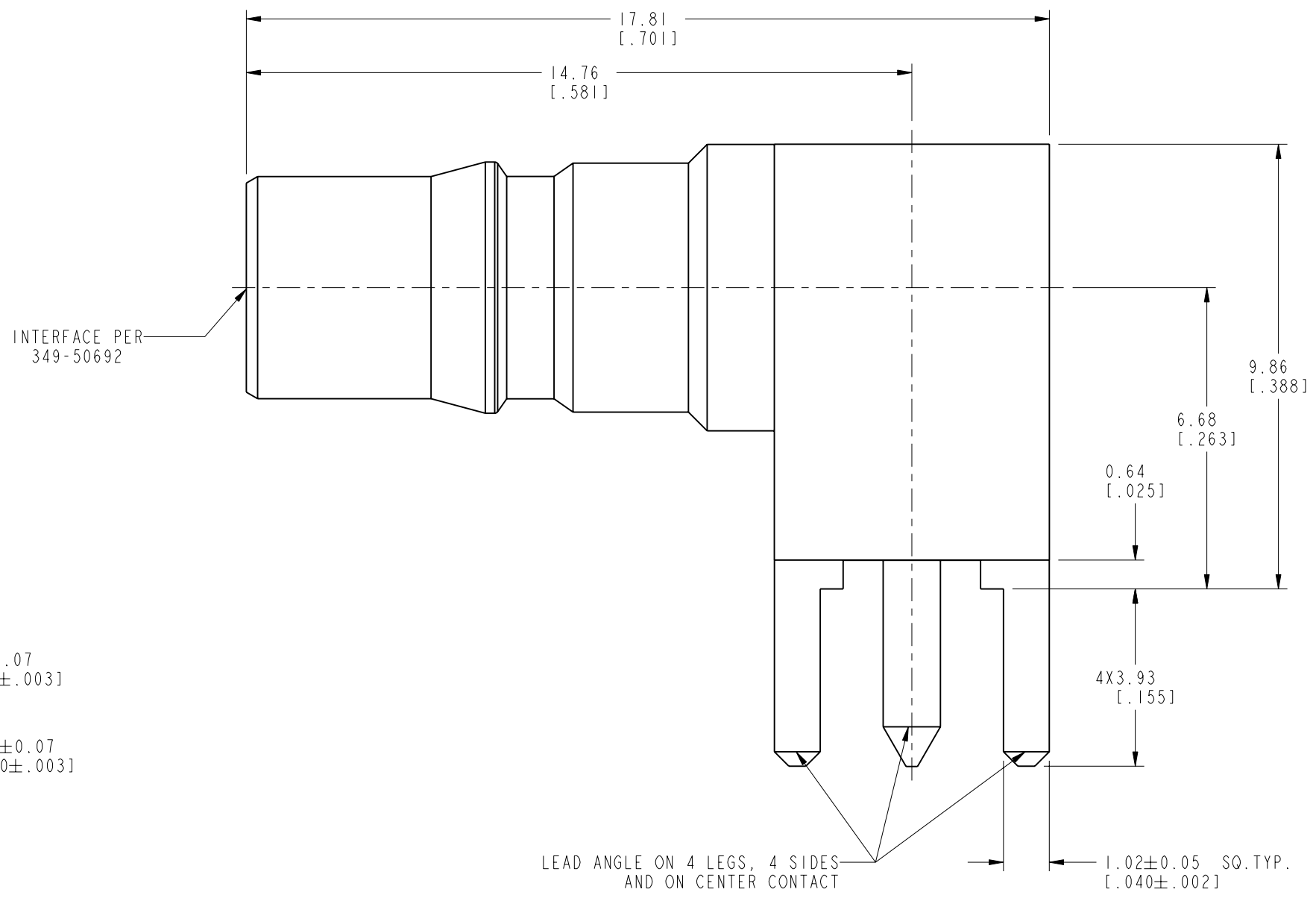
THIRD ANGLE PROJ.

REVISIONS

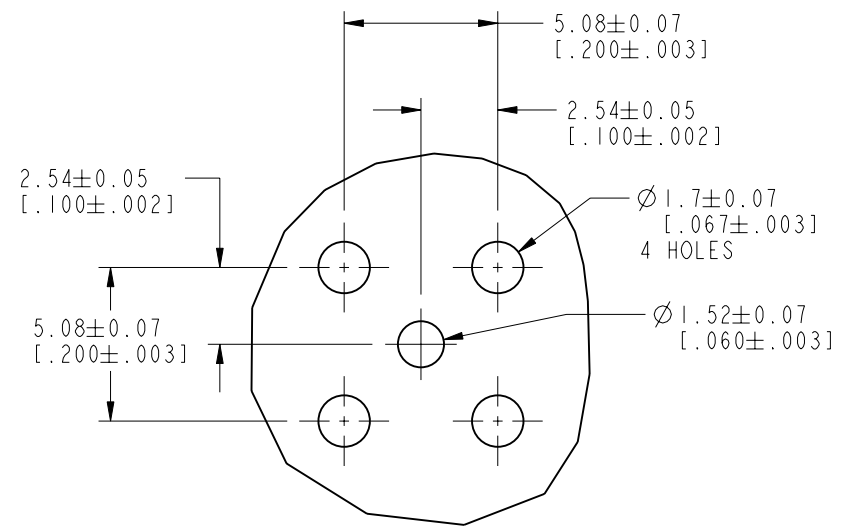
REV	DESCRIPTION	DATE	ECO	APPR
A	RELEASE TO MFG	7/23/04	45076	BCG
B	THE INSULATOR AND THE CONTACT WERE CHANGED RD-DMI3020701R3	25-Feb-13	49434	SH



SCALE 3.00



LEAD ANGLE ON 4 LEGS, 4 SIDES AND ON CENTER CONTACT



RECOMMENDED PCB HOLE PATTERN

CUSTOMER OUTLINE DRAWING

ALL OTHER SHEETS ARE FOR INTERNAL USE ONLY

UNLESS OTHERWISE SPECIFIED, DIMENSIONS ARE IN INCHES AND TOLERANCES ARE: 2 PLACE DECIMAL 3 PLACE DECIMAL ANGLES ±.015 (0.381 mm) ±.005 (0.127 mm) ± 1°	MATERIAL	DRAWN R.MAO	DATE 21-Feb-13	TITLE QMA JACK RIGHT ANGLE PC MOUNT	Amphenol RF www.amphenolrf.com	
		ENGINEER B.C. GLEISSNER	DATE 11-Jun-04			
	NOTICE - These drawings, specifications, or other data (1) are, and remain the property of Amphenol corp. (2) must be returned upon request; and (3) are confidential and not to be disclosed to any person other than those to whom they are given by Amphenol Corp. the furnishing of these drawings, specifications, or other data by Amphenol Corp., or to any other person to anyone for any purpose is not to be regarded by implication or otherwise in any manner licensing, granting rights to permitting such holder or any other person to manufacture, use or sell any product, process or design, patented or otherwise, that may in any way be related to or disclosed by said drawings, specifications, or other data.	REFERENCE 615X-2056-100	APPROVED S.HSIEH	DATE 21-Feb-13	SCALE: 8.0:1.0 SHEET 2 OF 2	DRAWING NO. 930-128J-51P
	EAR# 1186 GEN# ASSYF8-QMA FINISH		CAD FILE		DWG SIZE B	REV B

X-ON Electronics

Largest Supplier of Electrical and Electronic Components

Click to view similar products for [RF Connectors / Coaxial Connectors](#) category:

Click to view products by [Amphenol](#) manufacturer:

Other Similar products are found below :

[8915-1511-000](#) [89674-0827](#) [6001-7071-019](#) [6002-7051-003](#) [6002-7551-202](#) [6059674-1](#) [619550-1](#) [630059-000](#) [M39030/3-01N](#) [M3933/25-36N](#) [6500-7071-046](#) [6769](#) [CX050L2AQ](#) [7002-1542-011](#) [7004-1512-000](#) [7009-1511-004](#) [7010-1511-000](#) [7029-1511-060](#) [7101-1541-010](#) [7101-1571-002](#) [7105-1521-002](#) [7145-1521-002](#) [7203-1571-003](#) [7209-1511-011](#) [7210-1511-015](#) [7210-1511-019](#) [73137-5015](#) [73216-2241](#) [7325-1512-000](#) [73404-2300](#) [7405-1521-005](#) [7405-1521-802](#) [7406-1521-005](#) [8527](#) [8547](#) [FS11V](#) [8808-1511-001](#) [9049-9513-000](#) [9074-9513-000](#) [9101-9573-002](#) [910A205F](#) [9130-9573-002](#) [PL11SC-026](#) [PL375-33](#) [PL40-5](#) [PL71-9](#) [PL74C-221](#) [PL75MC-217](#) [PL803-7](#) [980-8666-005](#)