

NOTES:

1. MATERIALS AND FINISHES:

CONTACT - BRASS - GOLD PLATED
 BODY - BRASS - WHITE BRONZE PLATED
 SLEEVE - BRASS - WHITE BRONZE PLATED
 OUTER CONTACT - PHOSPHOR BRONZE - WHITE BRONZE PLATED
 FERRULE - COPPER ALLOY - WHITE BRONZE PLATED
 INSULATOR - PTFE

2. PHYSICAL:

A. OPERATING TEMPERATURE = -65°C to +165°C
 B. MATING CYCLES = 100 MIN.

3. ELECTRICAL:

A. IMPEDENCE = 50 OHMS
 B. FREQUENCY RANGE = DC to 6 GHz
 C. VSWR = 1.05 : 1 MAX. DC-3 GHz
 = 1.12 : 1 MAX. 3-6 GHz

4. CABLE ASSEMBLY INSTRUCTIONS PER:

A. TRIM CABLE AS SHOWN
 B. CRIMP CONTACT W/ SQ. CRIMP SIZE .028", OR SOLDER
 C. INSERT CABLE UNTIL CONTACT LOCKS INTO PLACE
 D. CRIMP FERRULE W/ HEX .128"

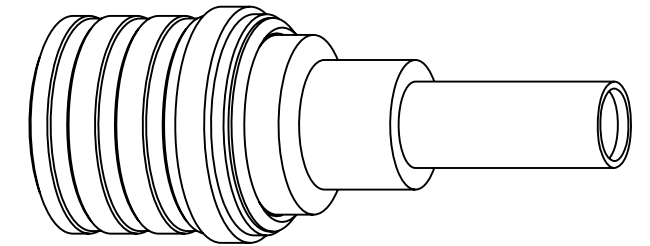
5. PACKAGING:

A. SINGLE PACK IN BAG.
 B. MARK OR TAG BAG WITH
 "AMPHENOL RF, 930-129P-51S," AND DATE CODE (YYWW)

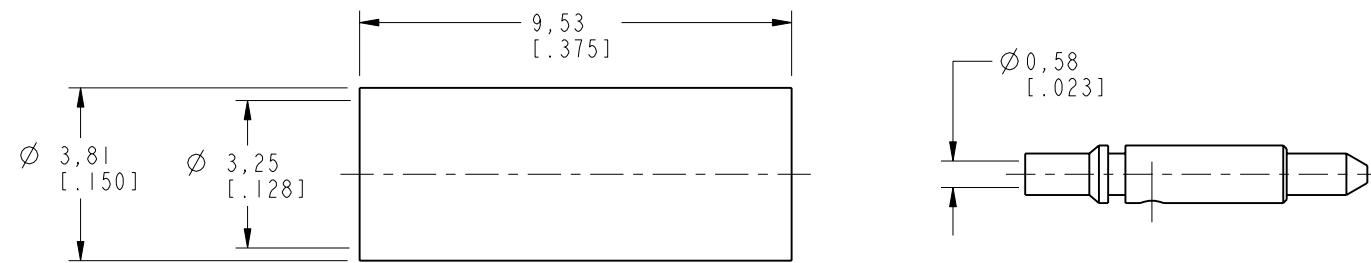
THIRD ANGLE PROJ.

REVISIONS

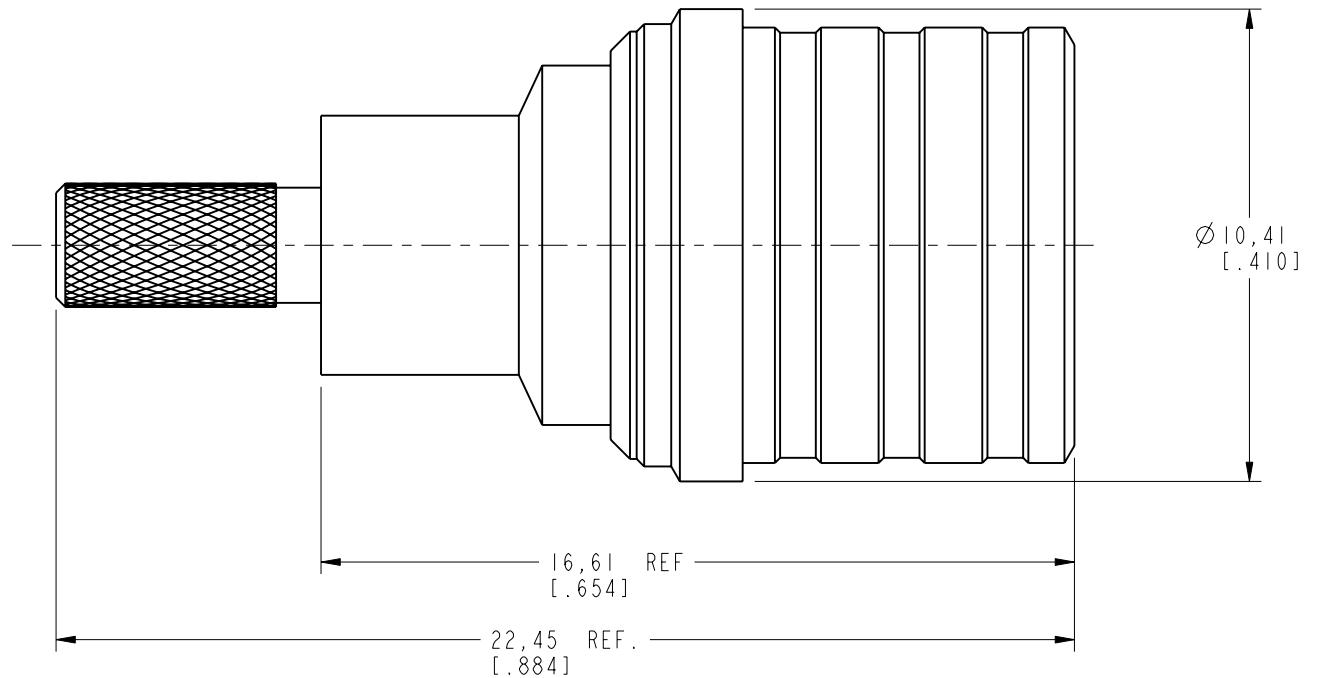
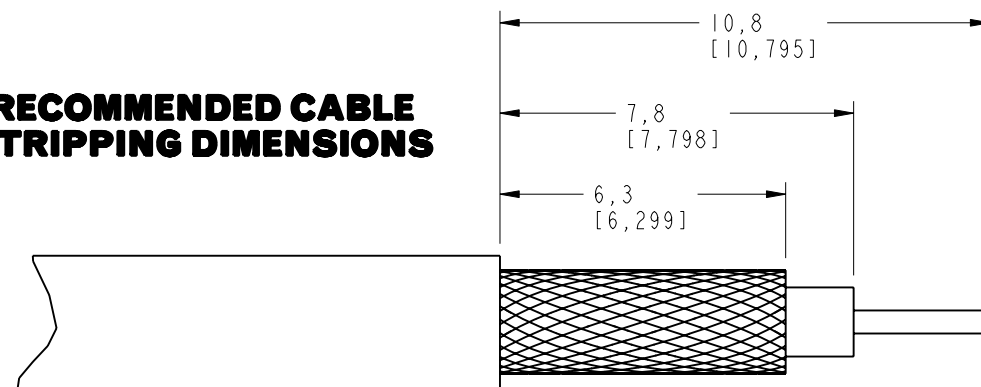
REV	DESCRIPTION	DATE	ECO	APPR
A	RELEASE TO MFG.	7/19/04	45063	
B	NOTE 4 D. HEX CR WAS .151	08/14/06	46776	
C	SEE SHEET 1	12/19/06	--	
D	SEE SHEET 1	06/16/07	--	
E	ADDED PACKAGING NOTES, SEE SHEET 1	21-Nov-13	49666	HH



SCALE 3.000



RECOMMENDED CABLE STRIPPING DIMENSIONS



CUSTOMER OUTLINE DRAWING
 ALL OTHER SHEETS ARE FOR INTERNAL USE ONLY

UNLESS OTHERWISE SPECIFIED, DIMENSIONS ARE IN METRIC AND TOLERANCES ARE: <0.5mm ±0.05mm 0.5 - 6mm ±0.1mm 6 - 30mm ±0.2mm 30 - 120mm ±0.3mm ANGLES ±1°	MATERIAL	DRAWN J.CHENG	DATE 20-Nov-13	TITLE QMA 50 OHM PLUG FOR RG-316 TYPE CABLE	Amphenol RF www.amphenolrf.com
	REFERENCE EAR # 944 AND 615X-1913-100	ENGINEER S.L.I	DATE 20-Nov-13		
NOTICE - These drawings, specifications, or other data (1) are, and remain the property of Amphenol corp. (2) must be returned upon request; and (3) are confidential and not to be disclosed to any person other than those to whom they are given by Amphenol Corp. the furnishing of these drawings, specifications, or other data by Amphenol Corp., or to any other person to anyone for any purpose is not to be regarded by implication or otherwise in any manner licensing, granting rights to permitting such holder or any other person to manufacture, use or sell any product, process or design, patented or otherwise, that may in any way be related to or disclosed by said drawings, specifications, or other data.	CONFIGURATION LEVEL: <input type="checkbox"/> <input type="checkbox"/> <input type="checkbox"/> <input type="checkbox"/>	APPROVED H.HE	DATE 20-Nov-13	SCALE: 6.0:1.0 SHEET 2 OF 2	ITEM NO. 930-129P-51S
	FINISH	CAD FILE	DWG SIZE B	REV E	PART NO. 930-129P-51S

X-ON Electronics

Largest Supplier of Electrical and Electronic Components

Click to view similar products for [RF Connectors / Coaxial Connectors](#) category:

Click to view products by [Amphenol](#) manufacturer:

Other Similar products are found below :

[8915-1511-000](#) [89674-0827](#) [6001-7071-019](#) [6002-7051-003](#) [6002-7551-202](#) [6059674-1](#) [619550-1](#) [630059-000](#) [M39030/3-01N](#) [M3933/25-36N](#) [6500-7071-046](#) [6769](#) [CX050L2AQ](#) [7002-1542-011](#) [7004-1512-000](#) [7009-1511-004](#) [7010-1511-000](#) [7029-1511-060](#) [7101-1541-010](#) [7101-1571-002](#) [7105-1521-002](#) [7145-1521-002](#) [7203-1571-003](#) [7209-1511-011](#) [7210-1511-015](#) [7210-1511-019](#) [73137-5015](#) [73216-2241](#) [7325-1512-000](#) [73404-2300](#) [7405-1521-005](#) [7405-1521-802](#) [7406-1521-005](#) [8527](#) [8547](#) [FS11V](#) [8808-1511-001](#) [9049-9513-000](#) [9074-9513-000](#) [9101-9573-002](#) [910A205F](#) [9130-9573-002](#) [PL11SC-026](#) [PL375-33](#) [PL40-5](#) [PL71-9](#) [PL74C-221](#) [PL75MC-217](#) [PL803-7](#) [980-8666-005](#)