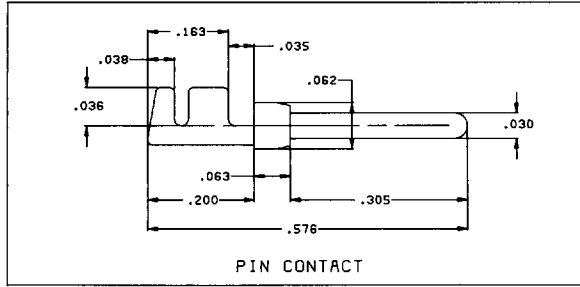
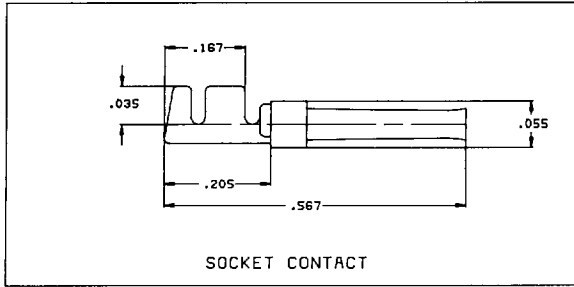


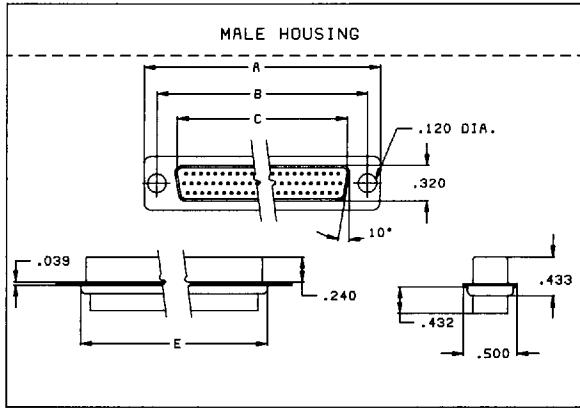
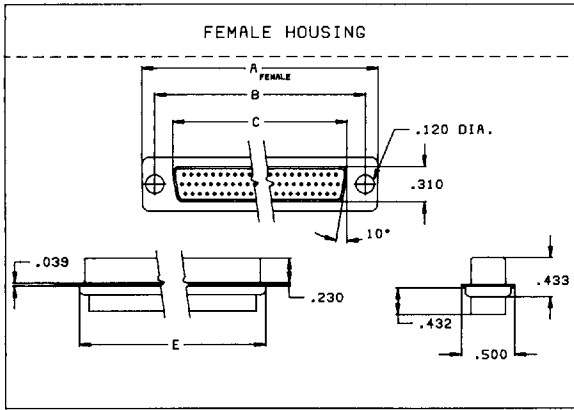
AMPHENOL HIGH DENSITY D-SUBMINIATURE CONNECTORS

17RH SERIES

**CRIMP REAR RELEASE
DOUBLE METAL SHELL
REMOVABLE CONTACT**



RECOMMENDED WIRE GAUGE: AWG 22-28



FEMALE CONNECTOR DIMENSIONS

HOUSING P/N	# OF POSITIONS	A	B	C Female	E
17RH015S-00	15	1.215	.984	.639	.756
17RH026S-00	26	1.539	1.312	.970	1.090
17RH044S-00	44	2.088	1.852	1.510	1.620
17RH062S-00	62	2.738	2.500	2.159	2.272

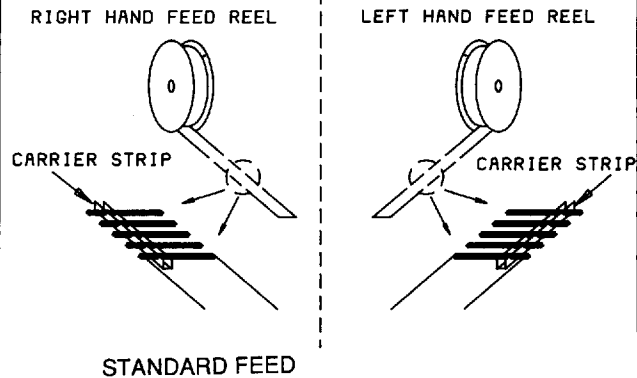
MALE CONNECTOR DIMENSIONS

HOUSING P/N	# OF POSITIONS	A	B	C Male	E
17RH015P-00	15	1.215	.984	.666	.756
17RH026P-00	26	1.539	1.312	.990	1.090
17RH044P-00	44	2.088	1.852	1.530	1.620
17RH062P-00	62	2.738	2.500	2.175	2.272

ORDERING INFORMATION: CONTACTS

P/N	DESCRIPTION	PLATING
17RH-F11-10R	SOCKET RIGHT FEED REEL OF 10K	GOLD FLASH
17RH-F11-10L	SOCKET LEFT FEED REEL OF 10K	GOLD FLASH
17RH-F14-10R	SOCKET RIGHT FEED REEL OF 10K	30 MICROINCHES GOLD, MIN.
17RH-F14-10L	SOCKET LEFT FEED REEL OF 10K	30 MICROINCHES GOLD, MIN.
17RH-M11-10R	PIN RIGHT FEED REEL OF 10K	GOLD FLASH
17RH-M11-10L	PIN LEFT FEED REEL OF 10K	GOLD FLASH
17RH-M14-10R	PIN RIGHT FEED REEL OF 10K	30 MICROINCHES GOLD, MIN.
17RH-M14-10L	PIN LEFT FEED REEL OF 10K	30 MICROINCHES GOLD, MIN.

REEL WINDING DIRECTION



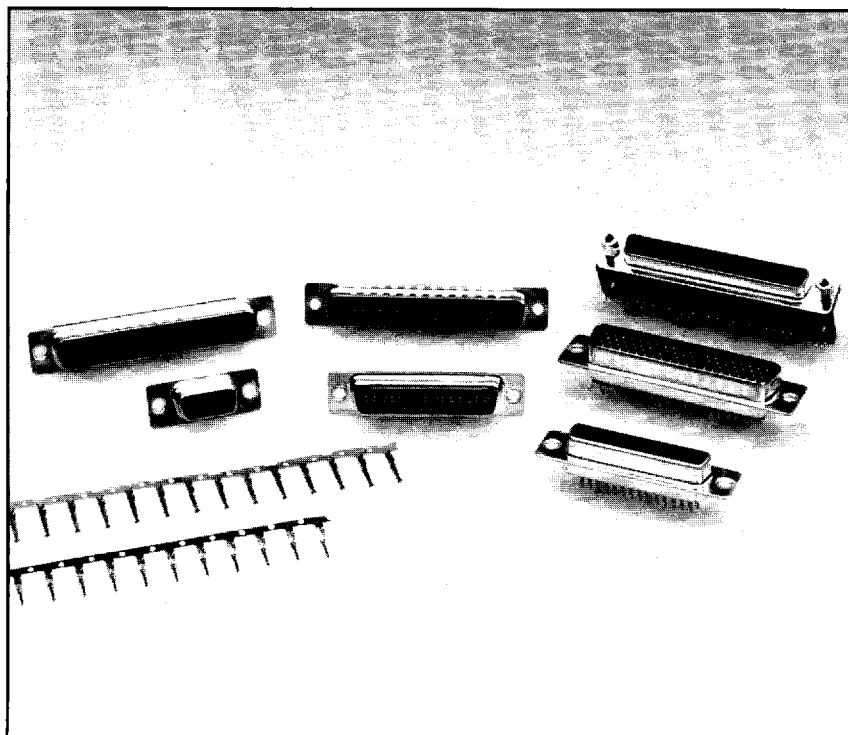
Hand Crimp Tool Part #357-1001
Consult factory for automatic tooling options

A-61-11

Amphenol

HIGH DENSITY D-SUBMINIATURE CONNECTOR

17 Series



Amphenol's new High Density D-Subminiature Connectors are the latest introduction to complement Amphenol's extensive D-Subminiature connector line. This new line of connectors offers many superior features, high performance level and low installation cost.

The connector configurations are available in 15, 26, 44, 62 and 78 position. All configurations consist of contacts on 0.100" staggered spacing. The 15-62 position connectors have three rows of contacts while the 78 position contains four rows. The decreased contact spacing accommodates greater signal density in comparison to conventional D-Subminiature connectors.

The product offering includes PCB mount connectors in both straight or right angle termination styles. The available boardlock offers increased assembly efficiency and eliminates the need for PCB mounting hardware.

Also available are both crimp and solder termination cable mount versions. These cable connectors can be combined with Amphenol's standard line of shielded or unshielded backshells.

SPECIFICATIONS:

Dielectric:

Thermoplastic resin, UL94VO, black

Shell:

Steel, tin plated, grounding indents on plug.

Contact Material:

Copper Alloy

Contact Plating:

Engagement area: gold (see ordering information).

Termination end: .000150", tin/lead

Nickel underplate: .000050", entire contact

Current Rating:

5A Max Per Contact

Dielectric Withstanding Voltage:

500VAC (Min) At Sea Level

Contact Resistance:

15 Milliohms Max

Insulation Resistance:

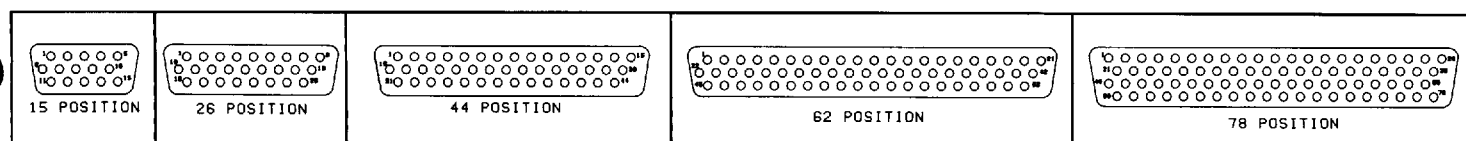
1000 M Ohm

Operating Temperature:

-55°C - +105°C

Voltage Rating:

125 VAC



(Front View - Male)

X-ON Electronics

Largest Supplier of Electrical and Electronic Components

Click to view similar products for [Accessories for Robotics and RC](#) category:

Click to view products by [Amphenol](#) manufacturer:

Other Similar products are found below :

[56T705](#) [015-9516-002](#) [01.001.6453.0](#) [641763-8](#) [CW106-01X](#) [CW30101A](#) [CW31701A](#) [D2041839](#) [70.352.0628.0](#) [73.353.4028.1](#) [FB22001A](#)
[FB30601A](#) [9009030000](#) [9501](#) [121587-0026](#) [1218510-1](#) [1218629-4](#) [1218630-4](#) [1261000A00M001](#) [128-26-5](#) [RFI77-14](#) [1367251-2](#) [14](#) [1-](#)
[449604-1](#) [1460g4](#) [1470g4](#) [DV0PM20034](#) [MS27488-16-1](#) [MS3057-12A W/B](#) [MS3057-8A-624](#) [MS600-2-XP-1A](#) [MS-602-GEE-14-07C](#)
[MS603-12-01A](#) [MS90376-14R](#) [MS90376-16RB](#) [MTB1-11PH3](#) [1676610000](#) [1A9224 REV A](#) [210-115](#) [CA20L22](#) [2227383-1](#) [225-0090-000](#)
[225-0098-000](#) [KA-89-82](#) [CB20201X](#) [KC-89-104](#) [CB30601A](#) [CB31201A](#) [236-600](#) [CBC120210-752](#)