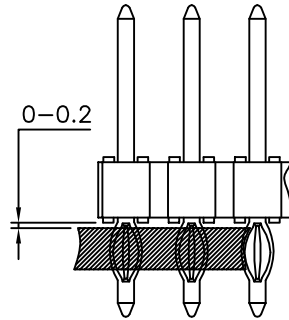


PRODUCT NUMBER
93689-YXX-XXLF

PLATING, SEE TABLE

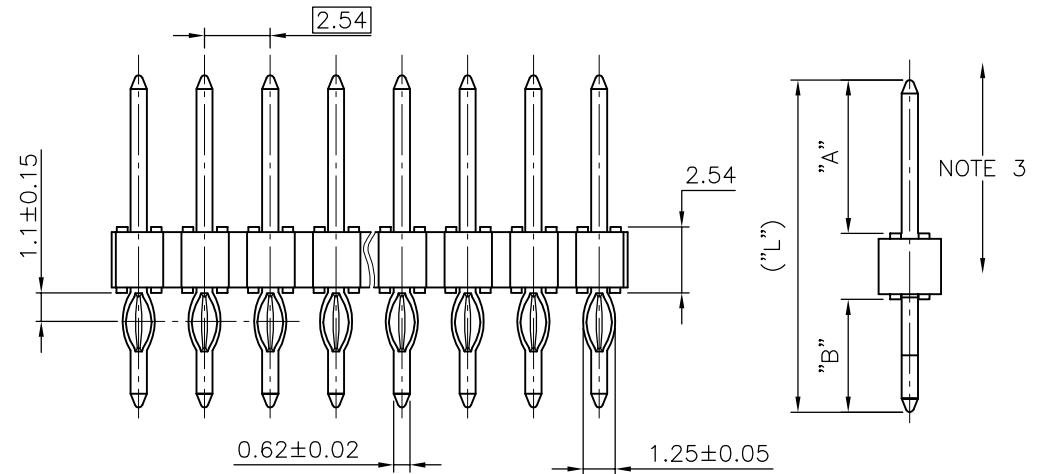
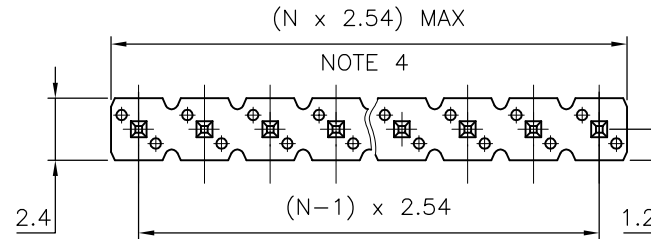
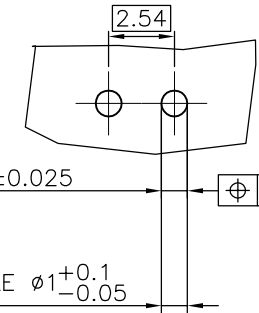
LEAD FREE
SEE NOTE 6 & 7
TOTAL NB OF POS
02 TO 36

PIN STYLE	DIM "A" REF	DIM "B" ±0.3	DIM "L" REF
01	7.50	4.50	14.78
02	10.14	4.50	17.40
03	5.68	4.50	12.83
04	14.80	4.75	22.15
05	8.30	4.50	15.44
06	6.80	3.60	12.90
07	17.50	3.60	23.85
08	12.20	3.00	17.74
09	9.26	3.20	14.96



RECOMMENDED POSITION ON THE PCB

DRILLED HOLE $\phi 1.15 \pm 0.025$
Cu 25 μ m-65 μ m
Sn 8 μ m-18 μ m
FINISHED PLATED HOLE $\phi 1^{+0.1}_{-0.05}$



NOTES:

- HOUSING MAT'L : HIGH TEMPERATURE THERMOPLASTIC. UL94V-0 COLOR: BLACK
- PIN MATERIAL : PHOSPHOR BRONZE
- 9N MIN RETENTION IN EITHER DIRECTION
- TO DETERMINE DIMENSIONS :
N = NUMBER OF POSITIONS PER ROW
EXAMPLE : 8 POS PER ROW, N x 2.54 = 20.32mm
- STANDARD PACKAGING IN POLYBAGS
- LEAD FREE CONNECTOR
- "LF" MEANS THAT THE PRODUCT IS RoHS COMPLIANT THEN MEETS EUROPEAN UNION DIRECTIVES AND OTHER COUNTRY REGULATION AS DESCRIBED IN GS-47-004

XXXXX-TXXLF	2 μ m MIN FULL MATTE TIN PIN TYP PLATED OVER 1.27 μ m Ni MIN	
XXXXX-9XXLF	0.2 μ m GOLD OVER 1.27 μ m Ni MIN	
XXXXX-5XXLF	0.25 μ m GOLD/GXT OVER 1.27 μ m Ni MIN	1.0 μ m TIN OVER 1.27 μ m
XXXXX-4XXLF	3.05 μ m TIN OVER 1.27 μ m Ni MIN	
XXXXX-1XXLF	0.76 μ m GOLD/GXT OVER 1.27 μ m Ni MIN	1.0 μ m TIN OVER 1.27 μ m
PLATING NUMBER	CONTACT AREA	PRESS FIT TAIL AREA

mat'l. code	surface ISO 1302	tolerance ISO 406 ISO 1101	projection	product family BSTIK
ltr	ecn no	dr	date	tolerances unless otherwise specified
R	B-20781	AMA	15.04.28	angles linear
				.x ±0.3 .xx ±0.15 .xxx ±0.05
L	B-16777	JCO	14.01.21	dr COMPAGNON J 95.07.25
M	B-18988	LMU	14.10.06	engr JMC 95.07.24
N	B-16427	LMU	14.11.04	chr
P	B-20744	LMU	15.04.23	appd JMC 95.07.25
sheet index	revision sheet			

title
**HEADER P-FIT
SINGLE ROW**
dwg no 93689 sheet 1 of 1 size A3
type CUSTOMER Drawing

X-ON Electronics

Largest Supplier of Electrical and Electronic Components

Click to view similar products for [Headers & Wire Housings](#) category:

Click to view products by [Amphenol](#) manufacturer:

Other Similar products are found below :

[892-18-020-10-001101](#) [58102-G61-06LF](#) [582553-1](#) [0009485154](#) [009176003701906](#) [0050291907](#) [LY20-4P-DT1-P1E-BR](#) [02.125.8002.8](#)
[609-3404](#) [61062-3](#) [622-0430](#) [622-3653LF](#) [63453-116](#) [636-1030](#) [636-1427](#) [636-3427](#) [636-4007](#) [641938-9](#) [641991-4](#) [644827-2](#) [65817-010LF](#)
[65817-015LF](#) [65863-015LF](#) [66207-023LF](#) [67095-007LF](#) [67601157](#) [68648-049](#) [70.362.1628.0](#) [70-4210](#) [70-4226B](#) [70-4853B](#) [707-5020](#) [707-](#)
[5028](#) [71.350.2428.0](#) [71918-208LF](#) [71961-016LF](#) [733-134](#) [733-162](#) [754199-000](#) [760-3052](#) [787-8014-00](#) [79531-3000](#) [FCN-360C032-B](#) [FCN-](#)
[367T-T012/H](#) [FCN-723D010/2](#) [80.063.4001.1](#) [800-90-001-10-001000](#) [800-90-010-10-002000](#) [801-43-002-10-013000](#) [801-43-006-10-002000](#)