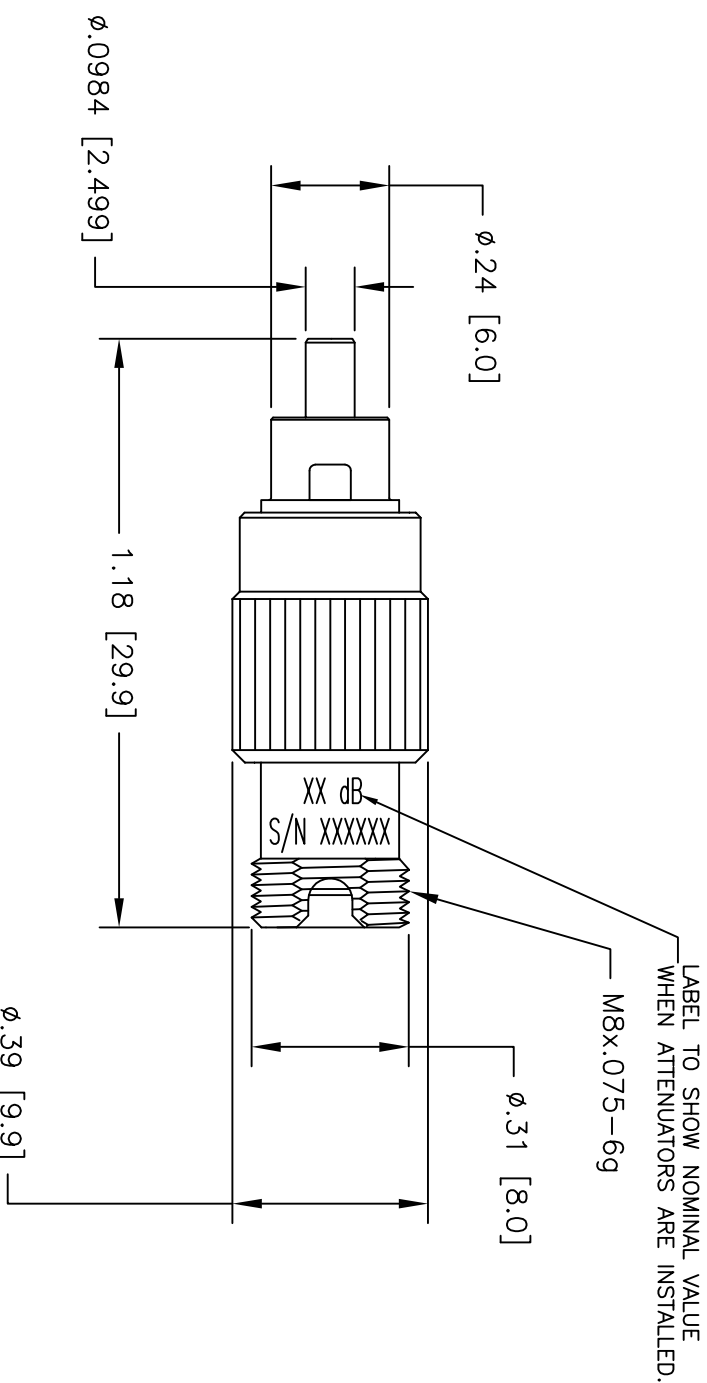


AMPHENOL PART NUMBER	ATTENUATION (NOTE 2)
944-130-5101	1.0 ± 0.5 dB
944-130-5102	2.0 ± 0.5 dB
944-130-5103	3.0 ± 0.5 dB
944-130-5104	4.0 ± 0.5 dB
944-130-5105	5.0 ± 0.5 dB
944-130-5106	6.0 ± 0.6 dB
944-130-5107	7.0 ± 0.7 dB
944-130-5108	8.0 ± 0.8 dB
944-130-5109	9.0 ± 0.9 dB
944-130-5110	10.0 ± 1.0 dB
944-130-5111	11.0 ± 1.1 dB
944-130-5112	12.0 ± 1.2 dB
944-130-5113	13.0 ± 1.3 dB
944-130-5114	14.0 ± 1.4 dB
944-130-5115	15.0 ± 1.5 dB
944-130-5116	16.0 ± 1.6 dB
944-130-5117	17.0 ± 1.7 dB
944-130-5118	18.0 ± 1.8 dB
944-130-5119	19.0 ± 1.9 dB
944-130-5120	20.0 ± 2.0 dB



- NOTES:
1. ALL DIMENSIONS ARE SHOWN IN INCHES[MILLIMETERS].
  2. OPERATING WAVELENGTH: 1260-1360 AND 1430-1580 nm. ATTENUATION VALUES FOR DEVICES WHEN USED BETWEEN PATCH CORDS.
  3. BACKREFLECTION = <-55dB

UNLESS OTHERWISE SPECIFIED		NOTE: - These drawings, specifications, or other data (D) are given the property of Amphenol Corporation. All rights are reserved. No part of this drawing or other data may be reproduced, stored in a retrieval system, or transmitted in any form or by any means, electronic, mechanical, photocopying, recording, or otherwise, without the prior written permission of Amphenol Corporation. The user of this drawing or other data shall be held harmless by Amphenol Corporation for any and all consequences arising from the use of this drawing or other data, whether or not such consequences were foreseeable. Amphenol Corporation shall not be liable for any and all consequences arising from the use of this drawing or other data, whether or not such consequences were foreseeable.		REV. <input checked="" type="checkbox"/> A		TITLE: ATTENUATOR, FC/UPC PLUG STYLE		DRAWING NO. 1924 Ohio Street, Lima, OH 43032, USA	
TOLERANCE TO BE	ANGULAR	MATL:	DRN: B. MENIETTI	DATE: 8/14/01	REV.	DESCRIPTION	TLW	07/09/07	
LINEAR	X.X ± 1	X.X ± 30°	CKD:	DATE:			DSR	8/14/01	
	X.XXX ± 0.003	X.XX ± 15°	FINISH:	DATE:			APVD	DATE	
BREAK ALL SHARP EDGES AND REMOVE ALL BURRS		REF.:	APVD:	DATE:	PART No: 944-130-51XX		ECO No		
DO NOT SCALE		THIRD ANGLE PROJECTION	SCALE: NTS	DATE:	SIZE: B		ECO No		
DIMENSIONS IN INCHES					944-130-51XX		1 OF 1		

1 2 3 4 5 6

F

E

D

C

B

A

F

E

D

C

B

A

## X-ON Electronics

Largest Supplier of Electrical and Electronic Components

*Click to view similar products for [Amphenol](#) manufacturer:*

Other Similar products are found below :

[PT01SE-16-8P\(027\)](#) [PT01SE-16-8P\(476\)](#) [CTV06RW-11-2JB-LC](#) [97-3108A-22-14P](#) [10-474017-10P](#) [MS27473P14B18S](#) [TV06RW-25-90AE](#)  
[CTVS06RF-25-46PB-LC](#) [PT02E10-2PW](#) [PT02E10-2PX](#) [97-3106A18-3PX-958](#) [97-3106A18-3PY-958](#) [PT06J20-24SW](#) [TV06RL-13-35AD](#)  
[TV06RL-13-98BD](#) [TV06RW-25-46AE](#) [TV06RL-13-35SD-LC](#) [TV06RL-13-35SD](#) [TV06RL-13-98SD-LC](#) [TV06RL-13-98SD](#) [TVP00RW-23-](#)  
[53AD](#) [PT02E10-2PW-025](#) [100-007-213-002-001](#) [2M805-002-16NF23-12PA](#) [97-3108B16S-5PW-417](#) [97-3108B16S-5PY-417](#) [CS-](#)  
[DSDMDB37MF-025](#) [97-3108B16S-5PZ-417](#) [GTC02R32-17S-025-RDS](#) [PT06SE2041P](#) [CF-5A9013-04N](#) [CF-6A4615-06N](#) [GTC02R32-17S-](#)  
[025-RDS-LC](#) [GTC02R32-17S-025-LC](#) [PT06SE-24-61P\(LC\)](#) [SP28W1F](#) [TV07DT-25-37P](#) [TV07DT-25-37JN-LC](#) [TV07DT-25-37S](#) [TV07DT-](#)  
[25-37S-LC](#) [TV07DT-25-46P-LC](#) [97-3101A20-21P-958](#) [TV07DT-25-90P-LC](#) [TV07DT-25-46A](#) [TV07DT-25-37P-LC](#) [GTS08-36-22PZ-025-](#)  
[B30](#) [PT00SP2241P](#) [CTVPS00RF-15-15AC](#) [LJT06RT-15-35PB\(023\)](#) [TVS07RF-15-15AB](#)