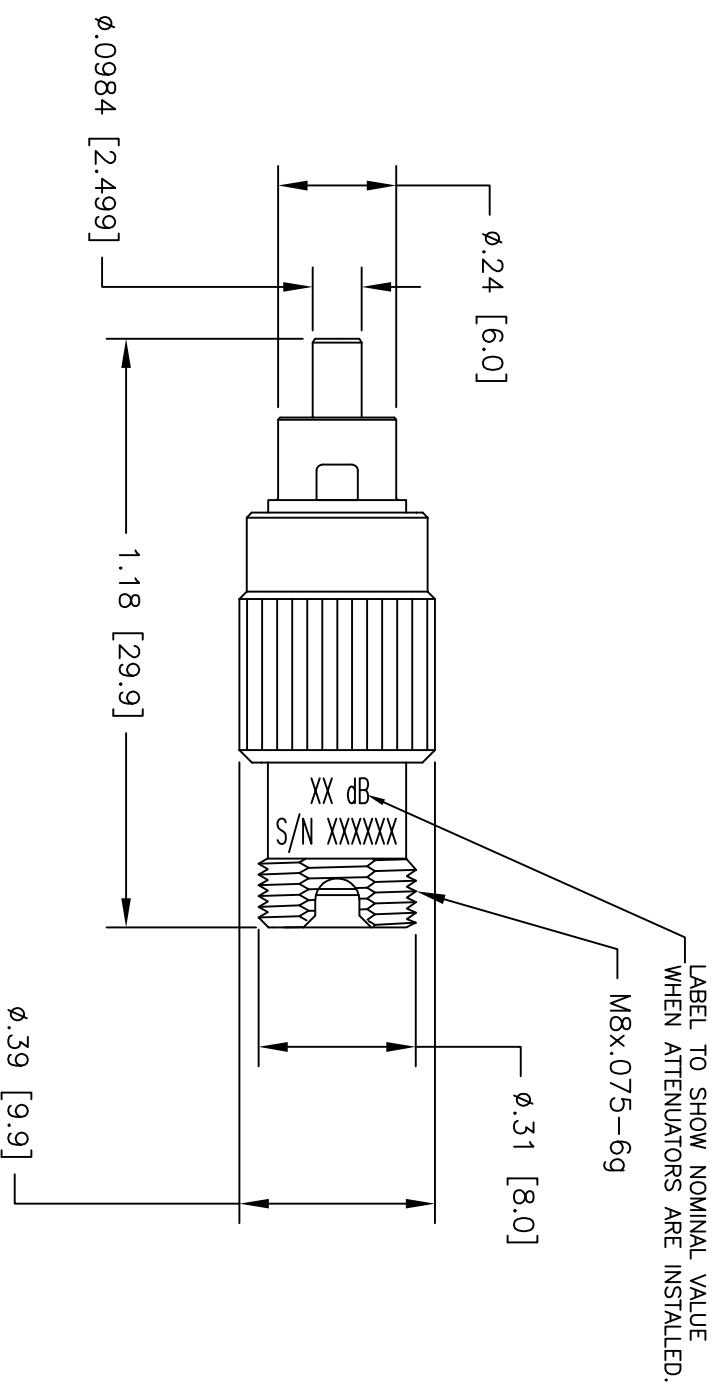


AMPHENOL PART NUMBER	ATTENUATION (NOTE 2)
944-130-5101	1.0 ± 0.5 dB
944-130-5102	2.0 ± 0.5 dB
944-130-5103	3.0 ± 0.5 dB
944-130-5104	4.0 ± 0.5 dB
944-130-5105	5.0 ± 0.5 dB
944-130-5106	6.0 ± 0.6 dB
944-130-5107	7.0 ± 0.7 dB
944-130-5108	8.0 ± 0.8 dB
944-130-5109	9.0 ± 0.9 dB
944-130-5110	10.0 ± 1.0 dB
944-130-5111	11.0 ± 1.1 dB
944-130-5112	12.0 ± 1.2 dB
944-130-5113	13.0 ± 1.3 dB
944-130-5114	14.0 ± 1.4 dB
944-130-5115	15.0 ± 1.5 dB
944-130-5116	16.0 ± 1.6 dB
944-130-5117	17.0 ± 1.7 dB
944-130-5118	18.0 ± 1.8 dB
944-130-5119	19.0 ± 1.9 dB
944-130-5120	20.0 ± 2.0 dB



- NOTES:
1. ALL DIMENSIONS ARE SHOWN IN INCHES[MILLIMETERS].
 2. OPERATING WAVELENGTH: 1260-1360 AND 1430-1580 nm. ATTENUATION VALUES FOR DEVICES WHEN USED BETWEEN PATCH CORDS.
 3. BACKREFLECTION = <-55dB

UNLESS OTHERWISE SPECIFIED		NOTE: - These drawings, specifications, or other data (D) are given the property of Amphenol Corporation. All rights are reserved. No part of this drawing or other data may be reproduced, stored in a retrieval system, or transmitted in any form or by any means, electronic, mechanical, photocopying, recording, or otherwise, without the prior written permission of Amphenol Corporation. This permission is granted on the condition that the user will indemnify Amphenol Corporation from all claims, damages, and expenses, including reasonable attorneys' fees, that may be incurred by or for Amphenol Corporation as a result of the user's use of this drawing or other data.	
TOLERANCE TO BE	ANGULAR	SCALE:	NTS
LINEAR		REV.	B
XX ± 1	X' ± 1'	CHANGE OPERATING WAVELENGTH: UPDATE DRAWING FORMAT.	
XXX ± 0.01	XXX ± 30'	FIRST ISSUE	
XXX ± 0.003	XXX ± 15'	DESCRIPTION	
BREAK ALL SHARP EDGES AND REMOVE ALL BURRS	FINISH:	ATTENUATOR, FC/UPC PLUG STYLE	
DO NOT SCALE	REF.:	TITLE: ATTENUATOR, FC/UPC PLUG STYLE	
DIMENSIONS IN INCHES	THIRD ANGLE PROJECTION	DATE:	DATE:
3	4	DATE:	DATE:
SCALE:		DATE:	DATE:
NTS		DATE:	DATE:
PART No:		DATE:	DATE:
944-130-51XX		DATE:	DATE:
SIZE: B		DATE:	DATE:
944-130-51XX		DATE:	DATE:
DRAWING NO.		DATE:	DATE:
1924 Ohio Street, Lima, OH 45032, USA		DATE:	DATE:
Amphenol FIBER OPTIC PRODUCTS		DATE:	DATE:
SHEET		DATE:	DATE:
1 OF 1		DATE:	DATE:

1 2 3 4 5 6

X-ON Electronics

Largest Supplier of Electrical and Electronic Components

Click to view similar products for [Fiber Optic Connectors](#) category:

Click to view products by [Amphenol](#) manufacturer:

Other Similar products are found below :

[0004700001](#) [6100-R](#) [6313](#) [F709034706](#) [F709722200](#) [F718183204](#) [F727403500](#) [F727752800](#) [FCXO-12-3BY](#) [FO-SCREW\(M2X6\)](#) [9440F20-27S-190](#) [944-120-6001](#) [944-125-6003](#) [9441F10SL-3S](#) [9446F10SL-4S](#) [953-101-5310-P](#) [954-101-57202B](#) [A0270169](#) [12-9122](#) [12-5702](#) [143025NC](#) [AX101713](#) [AX102420](#) [AX103923](#) [AX104141](#) [AX104193](#) [AX104228](#) [AX104230](#) [AX104562](#) [AX105203-B25](#) [AX105205-S1](#) [EHSC2M](#) [17-300800](#) [181-011-126](#) [181-011-S](#) [181-057-126](#) [BT34IW](#) [HRFCP-HSCJ-1\(61\)](#) [HRFC-R2\(40\)](#) [NKSOPBUY](#) [20500002116](#) [2064996-1](#) [20800001065](#) [2170](#) [9132](#) [2612](#) [2620](#) [9291](#) [9440F18-19S](#) [9440F20-14P](#)