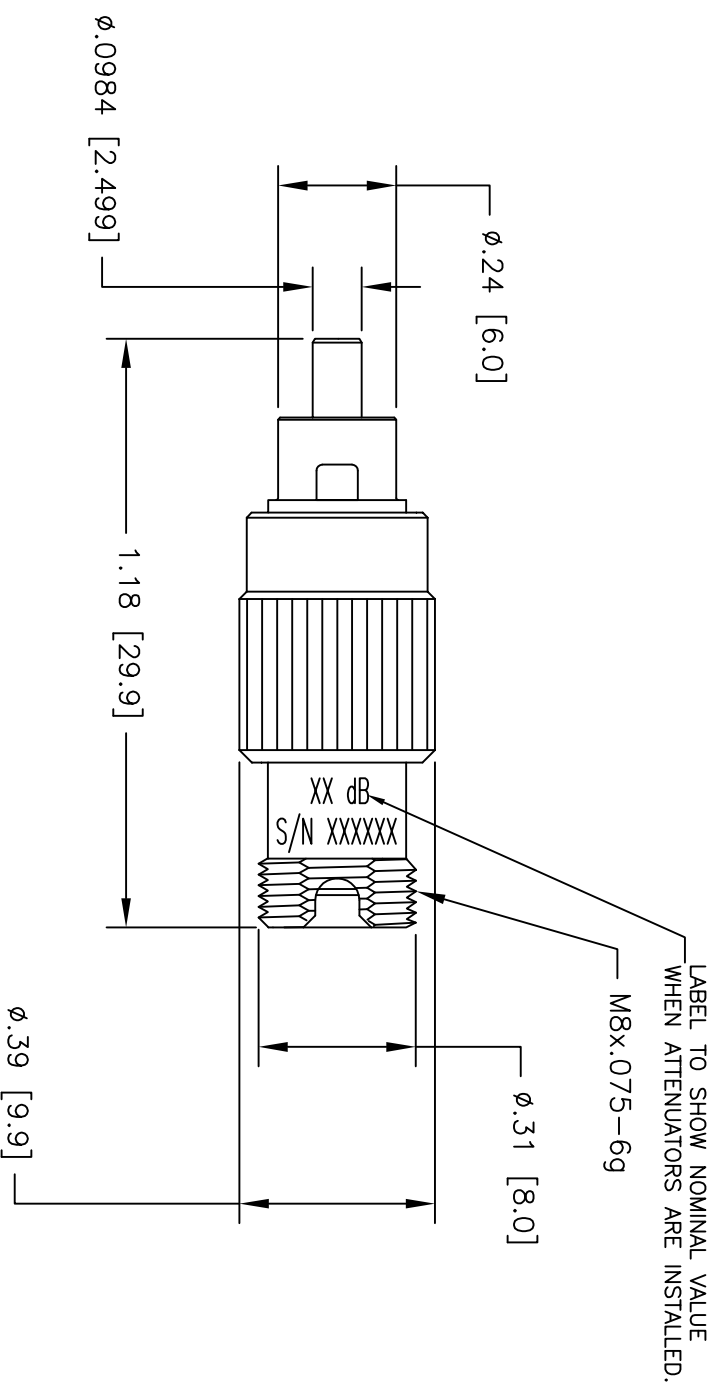


AMPHENOL PART NUMBER	ATTENUATION (NOTE 2)
944-130-5101	1.0 ± 0.5 dB
944-130-5102	2.0 ± 0.5 dB
944-130-5103	3.0 ± 0.5 dB
944-130-5104	4.0 ± 0.5 dB
944-130-5105	5.0 ± 0.5 dB
944-130-5106	6.0 ± 0.6 dB
944-130-5107	7.0 ± 0.7 dB
944-130-5108	8.0 ± 0.8 dB
944-130-5109	9.0 ± 0.9 dB
944-130-5110	10.0 ± 1.0 dB
944-130-5111	11.0 ± 1.1 dB
944-130-5112	12.0 ± 1.2 dB
944-130-5113	13.0 ± 1.3 dB
944-130-5114	14.0 ± 1.4 dB
944-130-5115	15.0 ± 1.5 dB
944-130-5116	16.0 ± 1.6 dB
944-130-5117	17.0 ± 1.7 dB
944-130-5118	18.0 ± 1.8 dB
944-130-5119	19.0 ± 1.9 dB
944-130-5120	20.0 ± 2.0 dB



- NOTES:
1. ALL DIMENSIONS ARE SHOWN IN INCHES[MILLIMETERS].
  2. OPERATING WAVELENGTH: 1260-1360 AND 1430-1580 nm. ATTENUATION VALUES FOR DEVICES WHEN USED BETWEEN PATCH CORDS.
  3. BACKREFLECTION = <-55dB

UNLESS OTHERWISE SPECIFIED		NOTE: - These drawings, specifications, or other data (D) are owned by the property of Amphenol Corporation. All rights reserved. No part of this drawing or specification may be reproduced, stored in a retrieval system, or transmitted in any form or by any means, electronic, mechanical, photocopying, recording, or otherwise, without the prior written permission of Amphenol Corporation. The user of this drawing or specification is advised that they may be subject to change without notice. Amphenol Corporation reserves the right to modify this drawing or specification at any time without notice. This drawing or specification is not to be used for any purpose other than that intended. All dimensions are in inches unless otherwise specified. Dimensions are shown in inches unless otherwise specified. Dimensions are shown in inches unless otherwise specified.		B		CHANGE OPERATING WAVELENGTH: UPDATE DRAWING FORMAT.		TLW		07/09/07		E07-0219	
TOLERANCE TO BE		ANGULAR		MATERIAL		DRN: B. MENIETTI		DATE:		REV.		FIRST ISSUE	
LINEAR		X.X ± 1		X.X ± 30°		DATE:		DATE:		DESCRIPTION		DSR	
X.XXX ± 0.01		X.XX ± 15°		FINISH:		APVD:		DATE:		ATTENUATOR, FC/UPC PLUG STYLE		8/14/01	
X.XXX ± 0.003		X.XX ± 15°		DO NOT SCALE		REF.:		SCALE:		PART No:		944-130-51XX	
BREAK ALL SHARP EDGES AND REMOVE ALL BURRS		THIRD ANGLE PROJECTION		SCALE:		NTS		PART No:		944-130-51XX		DRAWING NO.	
DIMENSIONS IN INCHES		SCALE:		NTS		PART No:		944-130-51XX		DRAWING NO.		944-130-51XX	
DIMENSIONS IN INCHES		SCALE:		NTS		PART No:		944-130-51XX		DRAWING NO.		944-130-51XX	

**Amphenol**  
FIBER OPTIC PRODUCTS  
1929A Ohio Street, Lake Erie, OH 44032, USA

SHEET  
1 OF 1

## X-ON Electronics

Largest Supplier of Electrical and Electronic Components

*Click to view similar products for [Fibre Optic Connectors](#) category:*

*Click to view products by [Amphenol](#) manufacturer:*

Other Similar products are found below :

[0004700001](#) [6100-R](#) [6313](#) [F709722200](#) [F709730000](#) [F718183204](#) [F727403500](#) [F727752800](#) [8119](#) [9440F20-27S-190](#) [944-120-6001](#)  
[9441F10SL-3S](#) [9444W28-21S](#) [9444W36-10S](#) [9446F10SL-4S](#) [9446W20-16S](#) [953-101-5310-P](#) [954-101-57202B](#) [A0270169](#) [12-9122](#) [12-5702](#)  
[AX101713](#) [AX102420](#) [AX103923](#) [AX104024](#) [AX104193](#) [AX104230](#) [AX104562](#) [AX105203-B25](#) [AX105205-S1](#) [EHSC2M](#) [17-300800](#)  
[181-011-126](#) [181-011-S](#) [181-057-126](#) [NKSOPBUY](#) [20500002116](#) [2064996-1](#) [20800001065](#) [2170](#) [9132](#) [2612](#) [2620](#) [9291](#) [9440F16-10S](#)  
[9440F20-18S](#) [9446F16-10S-190](#) [953-106-50231](#) [953-120-5003](#) [955-120-5110](#)