

944 Series FC Connectors

Amphenol's 944 Series fiber optic FC connectors effectively terminate optical fiber in a variety of network applications. The connectors are secured using a threaded coupling nut, providing a significant increase in pull-out performance. The FC connectors also feature an internal cavity and epoxy injection tube that virtually eliminates the possibility of improper epoxy application, thus providing higher manufacturing yields.

Every aspect of the connector system is precision manufactured to produce reliable and consistent performance. The 944 series is available in tunable or non-tunable PC versions for flexibility in specific performance requirements. The FC/APC connector system features a tight-fit keyway that prohibits the possible mis-mating between FC/PC and FC/APC connectors.

Features/Benefits

- One-piece construction
- Non-optical disconnect feature design prevents signal interruption
- Teflon tube in rear of connector ensures clean epoxy injection
- High precision zirconia ferrules minimize insertion loss and return loss values
- Available in singlemode, angled singlemode, and multimode versions
- Available with 900 μ m, 2.0mm, or 3.0mm boots
- Tunable version available
- Stainless steel ferrules also available
- Compliant to IEC 61874-7 and TIA/EIA 604-4 specifications



Specifications

Insertion Loss: $\leq 0.15\text{dB}$ typical, singlemode
 $\leq 0.30\text{dB}$ typical, APC
 $\leq 0.35\text{dB}$ typical, multimode

Return Loss: Ultra (UPC) $\leq -55\text{dB}^*$
Angle (APC) $\leq -65\text{dB}^*$

Durability: $< 0.2\text{dB}$ change, 500mating cycles

Temperature: $< 0.3\text{dB}$ change, -40 to $+85^\circ\text{C}$

Intermateability:

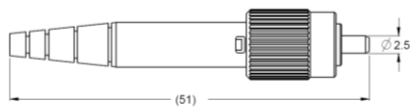
The Amphenol 944 Series FC Connectors are mechanically and optically intermateable with NTT-FC type products and conform to TIA/EIA and IEC specifications.

*Performance is polish dependent

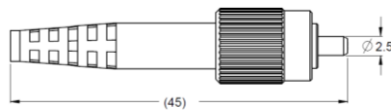
944 Series FC Connector Ordering Information*

FC Connectors with Ceramic Ferrules		Ferrule Hole Size	Recommended Cable Diameter	Boot Color
Part #	Description			
944-601-53203B	FC Connector, Multimode, 128µm Zirconia Ferrule	128µm	3mm	Black
944-601-53293B	FC Connector, Singlemode, 125.5µm Zirconia Ferrule	125.5µm	3mm	Black
944-601-53293L	FC Connector, Singlemode, 125.5µm Zirconia Ferrule	125.5µm	3mm	Blue
944-603-53393G	FC/APC Connector, Singlemode, 125.5µm Zirconia Conical Ferrule	125.5µm	3mm	Green
944-601-53202B	FC Connector, Multimode, 128µm Zirconia Ferrule	128µm	2mm	Black
944-601-53292B	FC Connector, Singlemode, 125.5µm Zirconia Ferrule	125.5µm	2mm	Black
944-601-53292L	FC Connector, Singlemode, 125.5µm Zirconia Ferrule	125.5µm	2mm	Blue
944-603-53392G	FC/APC Connector, Singlemode, 125.5µm Zirconia Conical Ferrule	125.5µm	2mm	Green
944-601-53209B	FC Connector, Multimode, 128µm Zirconia Ferrule	128µm	900µm	Black
944-601-53299B	FC Connector, Singlemode, 125.5µm Zirconia Ferrule	125.5µm	900µm	Black
944-601-53299L	FC Connector, Singlemode, 125.5µm Zirconia Ferrule	125.5µm	900µm	Blue
944-603-53399G	FC/APC Connector, Singlemode, 125.5µm Zirconia Conical Ferrule	125.5µm	900µm	Green
FC Connectors with Stainless Steel Ferrules		Ferrule Hole Size	Recommended Cable Diameter	Boot Color
Part #	Description			
944-602-50128-P	FC Connector, Multimode, 128µm Stainless Steel Ferrule	128µm	3mm	Black
944-602-50144-P	FC Connector, Multimode, 144µm Stainless Steel Ferrule	144µm	3mm	Black
944-602-50231-P	FC Connector, Multimode, 231µm Stainless Steel Ferrule	231µm	3mm	Black

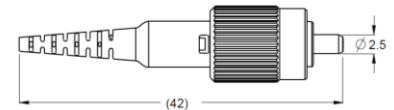
* Please contact Amphenol for other configurations and custom hole sizes for the stainless steel ferrules.



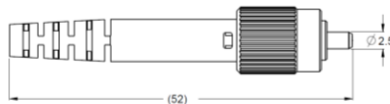
FC Connector with 2.0mm Boot



FC Connector with 3.0mm Boot



FC Connector with 900um Boot

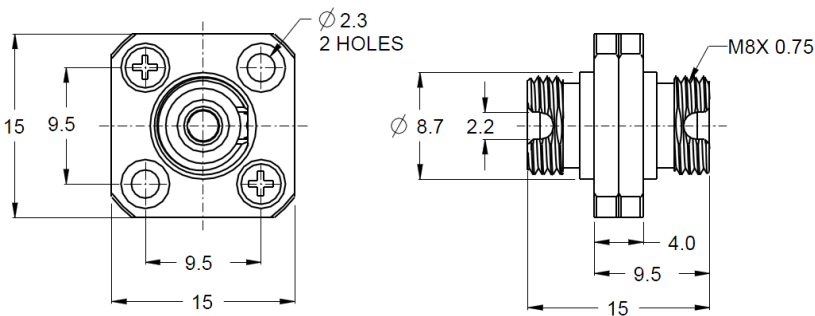


FC Connector with Stainless Steel Ferrule and 3.0mm Boot

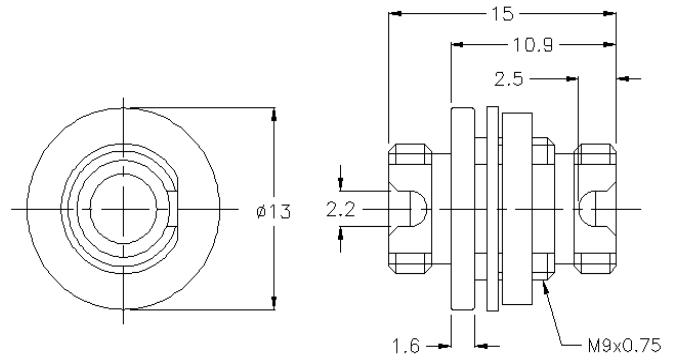
FC Adapters

FC Adapters		Alignment Sleeve Material	Flange Type	Body Material
Part #	Description			
944-120-6000	FC Simplex adapter, metal body, singlemode	Zirconia	Square, Screw mount	Metal
944-120-6001	FC Simplex adapter, metal body, multimode	Phosphor Bronze	Square, Screw mount	Metal
944-125-6003	FC Simplex adapter, metal body, singlemode	Zirconia	Feed-through, D-hole	Metal
944-125-6002	FC Simplex adapter, metal body, multimode	Phosphor Bronze	Feed-through, D-hole	Metal
944-125-6004	FC/APC Simplex adapter, singlemode, Tight Keyway	Zirconia	Feed-through, D-hole	Metal
FC Hybrid Adapters		Alignment Sleeve Material	Flange Type	Color
Part #	Description			
954-944-5001	SC-FC Hybrid simplex adapter, singlemode	Zirconia	Square, Screw mount	Metal
954-944-5000	SC-FC Hybrid simplex adapter, multimode	Phosphor Bronze	Square, Screw mount	Metal
FC Accessories				
Part #	Description			
944-120-1014	FC Dust Cap with Chain, Coupling Nut with Cap			

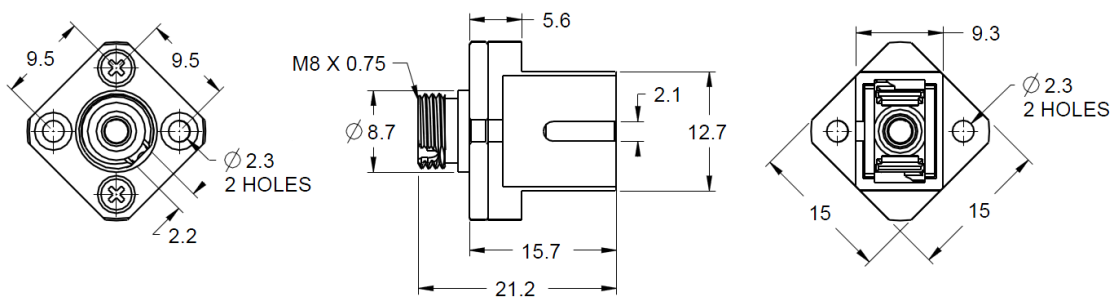
* Please contact Amphenol for other configurations.



FC Square Adapter Screw Mount



FC D-Hole Adapter



SC - FC Hybrid Adapter

X-ON Electronics

Largest Supplier of Electrical and Electronic Components

Click to view similar products for [Fibre Optic Connectors](#) category:

Click to view products by [Amphenol](#) manufacturer:

Other Similar products are found below :

[0004700001](#) [6100-R](#) [6313](#) [F709722200](#) [F709730000](#) [F718183204](#) [F727403500](#) [F727752800](#) [8119](#) [9440F20-27S-190](#) [944-120-6001](#)
[9441F10SL-3S](#) [9444W28-21S](#) [9444W36-10S](#) [9446W20-16S](#) [953-101-5310-P](#) [954-101-57202B](#) [A0270169](#) [12-9122](#) [12-5702](#) [AX101713](#)
[AX102420](#) [AX103923](#) [AX104024](#) [AX104193](#) [AX104230](#) [AX104562](#) [AX105203-B25](#) [AX105205-S1](#) [EHSC2M](#) [17-300800](#) [181-011-126](#)
[181-011-S](#) [181-057-126](#) [NKSOPBUY](#) [20500002116](#) [2064996-1](#) [20800001065](#) [2170](#) [9132](#) [2612](#) [2620](#) [9291](#) [9440F16-10S](#) [9440F20-18S](#)
[9444W32-73S](#) [9446F16-10S-190](#) [953-106-50231](#) [953-120-5003](#) [955-120-5110](#)