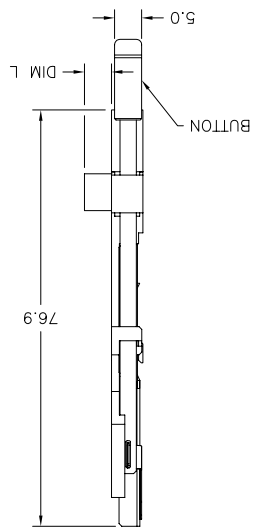
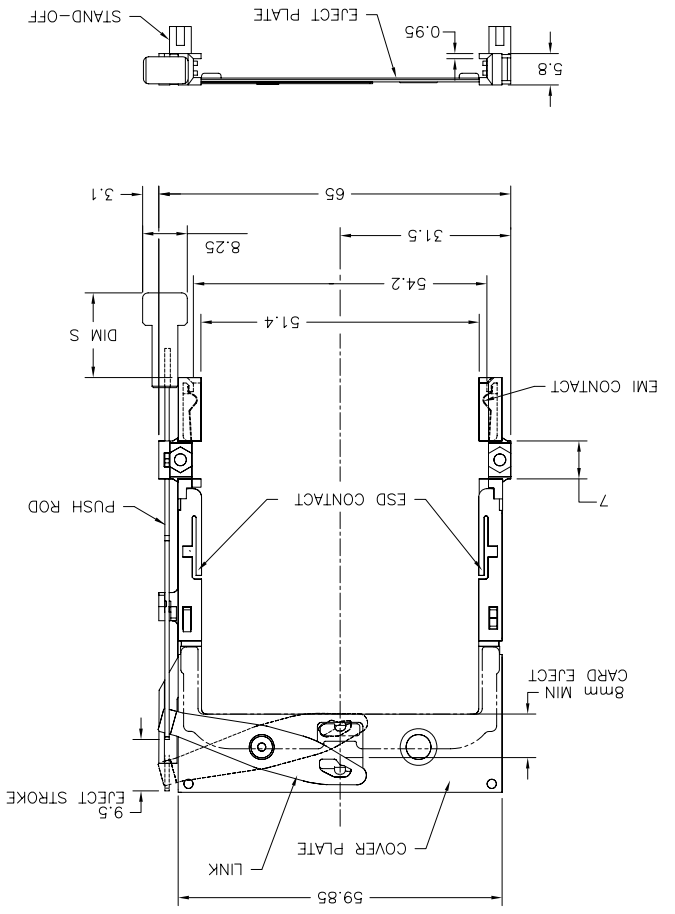
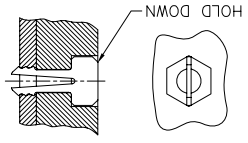


PRODUCT NO.	STAND-OFF	DIM L	DIM S	BUTTON COLOR
95079-00CA	0			
95079-00CALF	0			
95079-02CA	2			BLACK
95079-02CALF	2			BLACK
95079-04CA	4			BLACK
95079-05CA	5			BLACK
95079-00DA	0			
95079-02DA	2			BLACK
95079-04DA	4			BLACK
95079-05DA	5			BLACK
95079-00FA	0			
95079-02FA	2			BLACK
95079-04FA	4			BLACK
95079-05FA	5			BLACK
95079-00CH	0			
95079-02CH	2			NATURAL
95079-04CH	4			NATURAL
95079-05CH	5			NATURAL
95079-00DH	0			
95079-02DH	2			NATURAL
95079-04DH	4			NATURAL
95079-05DH	5			NATURAL
95079-00FH	0			
95079-02FH	2		21	NATURAL
95079-04FH	4		21	NATURAL
95079-05FH	5		21	NATURAL

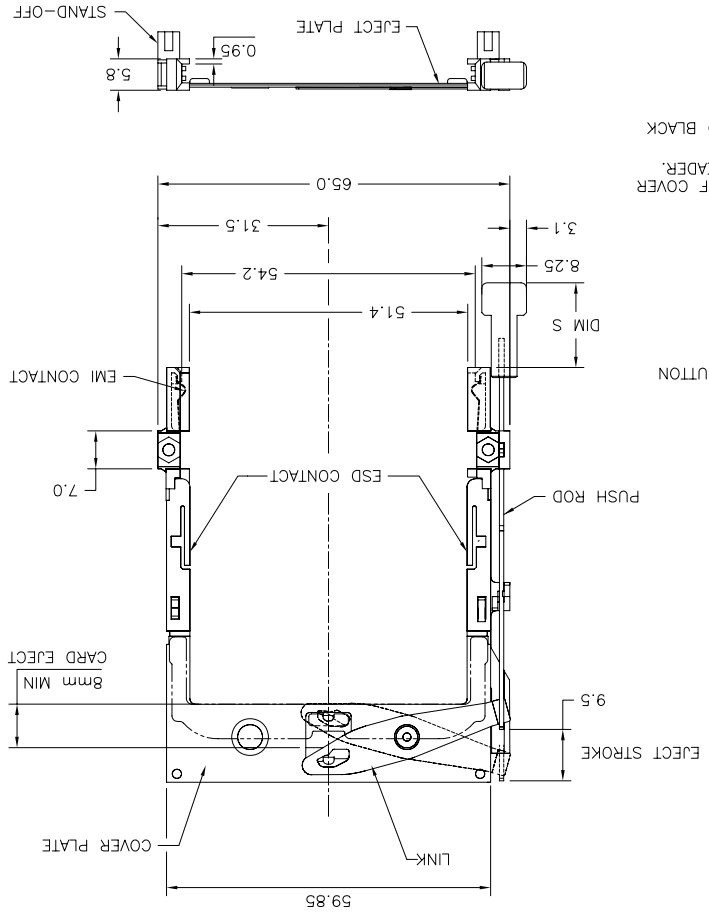
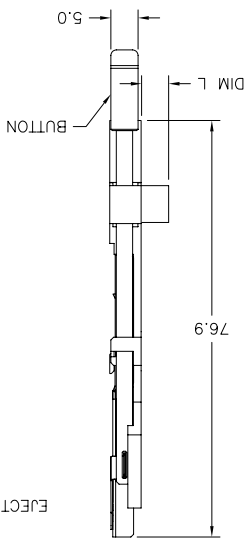
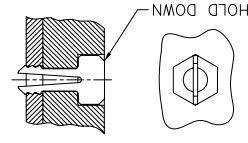
- NOTES:
- EJECT PLATE TO MOVE ALONG INSIDE WALL OF COVER PLATE SMOOTHLY AFTER ASSEMBLING WITH HEADER.
 - MATERIAL:
PLASTIC GUIDES: POLYPPHTHARAMIDE UL94V-0 BLACK
COVER PLATE: STAINLESS STEEL
EMI CONTACT: PHOSPHOR BRONZE
 - FINISH:
EMI CONTACT: 0.5um Au
UNDER PLATING: 2.0um Ni
CONTACT AREA: 0.5um Au
 - OPTIONAL HOLD DOWN (2 PER ASSEMBLY).
ADD "H" TO PART NUMBER FOR HOLD DOWN
 - RECOMMENDED SCREW TORQUE: 1.0 TO 1.5 MAX in-lbs. (1.2-1.7 cm-kgs).



mat'l. code	surface	tolerance	projection	product family
ltf	ecrn no	dr	date	tolerances unless otherwise specified
F	V91417	CGC	7/2/99	angles
G	V03-0522	WL	05/29/03	linear
H	T03-0485	WL	11/03/03	±2'
J	N06-0034	M	Z	02/13/06
K	N06-0135	M	Z	05/25/06
L	N06-0110	M	Z	06/29/06
M	ELX-N-18397	HJ	07/30/14	pppd
sheet revision				
1 2 3				
M M M				
05/25/06 05/25/06 05/25/06				
Mike Zhou Mike Zhou Qin David				
type CUSTOMER				
dwg no 95079				
sheet 1 of 3 size A4				
title				
NARROW BODY FRONT EJECT TYPE 123 MECHANISM ASSY				
scale				
MM				
±0.15				
projection				
product family				

PRODUCT NO.	STAND-OFF DIM L	DIM S	BUTTON COLOR
NOTE ⑤			
95079-10CA	0		
95079-10CALF	0		
95079-12CA	2		
95079-14CA	4		
95079-15CA	5		
95079-15CAH	5		
95079-10DA	0		
95079-12DA	2		
95079-14DA	4		
95079-15DA	5		
95079-10FA	0		
95079-12FA	2		
95079-14FA	4		
95079-15FA	5		
95079-10CH	0		
95079-12CH	2		
95079-14CH	4		
95079-15CH	5		
95079-10DH	0		
95079-12DH	2		
95079-14DH	4		
95079-15DH	5		
95079-10FH	0		
95079-12FH	2		
95079-14FH	4		
95079-15FH	5		

- NOTES:
- EJECT PLATE TO MOVE ALONG INSIDE WALL OF COVER PLATE SMOOTHLY AFTER ASSEMBLING WITH HEADER.
 - MATERIAL:
PLASTIC GUIDES: POLYPHTHALAMIDE UL94V-0 BLACK
COVER PLATE: STAINLESS STEEL
EMI CONTACT: PHOSPHOR BRONZE
 - FINISH:
EMI CONTACT: 0.5um Au
UNDER PLATING: 2.0um Ni
 - ④ ADD "H" TO PART NUMBER FOR OPTIONAL HOLD DOWN (2 PER ASSEMBLY).
 - RECOMMENDED SCREW TORQUE: 1.0 TO 1.5 MAX in-lbs. (1.2-1.7 cm-kgs).



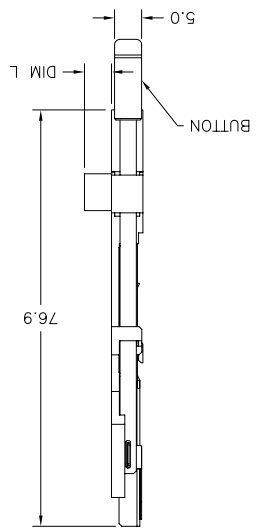
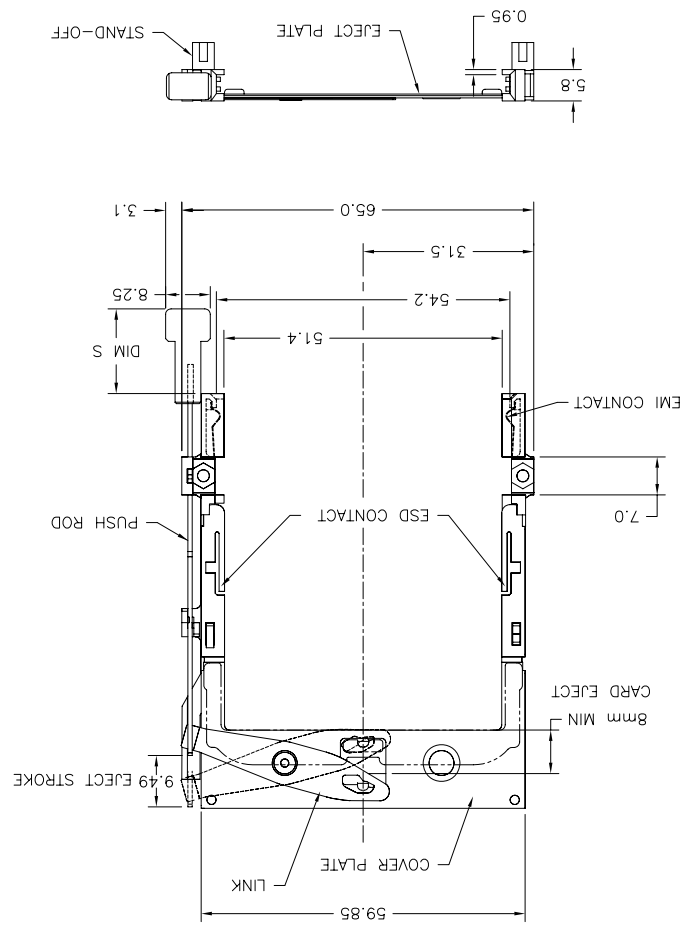
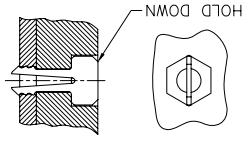
mat'l. code	surface	tolerance	projection	product family
M	angles ±2°	linear ±0.15	MM	NARROW BODY FRONT EJECT TYPE 123 MECHANISM ASSY
ltr	ecrn no	dr	date	tolerances unless otherwise specified
sheet	revision	index	sheet	

type	dwg no	scale	product family
CUSTOMER	95079	MM	NARROW BODY FRONT EJECT TYPE 123 MECHANISM ASSY
revision	revision	revision	revision
ppd Qin David	05/25/06	05/25/06	05/25/06
chnr Mike Zhou	05/25/06	05/25/06	05/25/06
enrgr Mike Zhou	05/25/06	05/25/06	05/25/06
dr Mike Zhou	05/25/06	05/25/06	05/25/06

sheet	revision	index	sheet
1			
2			
3			
4			
5			
6			

PRODUCT NO.	NOTE ③	95079-00MCA
STAND-OFF	DIM L	0
BUTTON COLOR	DIM S	13
		BLACK

- NOTES:
- EJECT PLATE TO MOVE ALONG INSIDE WALL OF COVER.
 - PLATE SMOOTHLY AFTER ASSEMBLING WITH HEADER.
 - MATERIAL: PLASTIC GUIDES: POLYPHTHARAMIDE UL94V-0 BLACK
COVER PLATE: STAINLESS STEEL
EMI CONTACT: PHOSPHOR BRONZE
 - FINISH:
EMI CONTACT: CONTACT AREA: 0.5um Au
UNDER PLATING: 2.0um Ni
 - ADD "H" TO PART NUMBER FOR OPTIONAL HOLD DOWN (2 PER ASSEMBLY).



mat'l. code	surface	tolerance	projection	product family
M	angles	±0.15	MM	title
ltr	ecrn no	dr	date	tolerances unless otherwise specified
sheet	revision	sheet	index	scale
pppd	Qin David	05/25/06	05/25/06	FCI
chn	Mike Zhou	05/25/06	05/25/06	type CUSTOMER
engr	Mike Zhou	05/25/06	05/25/06	dwg no 95079
dr	Mike Zhou	05/25/06	05/25/06	sheet 3 of 3 size A4
				Drawing

X-ON Electronics

Largest Supplier of Electrical and Electronic Components

Click to view similar products for [Memory Card Connectors](#) category:

Click to view products by [Amphenol](#) manufacturer:

Other Similar products are found below :

[M10-597810-355](#) [M21-033321-005](#) [6426-201-21343](#) [69.920.0553.0](#) [MCR60A-98D-2.54DSA\(70\)](#) [FCN-568P068-G/07-4V](#) [809180410000000](#)
[95622-003LF](#) [AD2-262F-38900-232](#) [DM3AT-SF-PEJM5\(41\)](#) [EN2997S72039F6](#) [N7E50-7516PG-20-WF](#) [IC11S-BUR-PNEJL\(71\)](#) [NX30TA-](#)
[15PAA\(50\)](#) [21920-5](#) [2041353-2](#) [FUA006-3220-0](#) [308-DS1P0811-192](#) [33CFAE-DN](#) [MI21A-50PD-SF-EJR\(91\)](#) [502431-1011](#) [5175651-2](#) [10-](#)
[247926-166](#) [10-629549-258N](#) [11327-001](#) [11327-002](#) [EN2997S02039B8](#) [EN2997S61212BN](#) [EN2997S72039B6](#) [EN2997SE02039B8](#)
[EN2997SE61212BN](#) [EN2997SE72039B6](#) [603020000](#) [617230001](#) [71-252718-32P](#) [NX1-32T-KT3K\(05\)](#) [95622-003LF](#) [91-570124-15P](#)
[192900-0488](#) [N7E50-U516RB-50-SIN0005](#) [DM1AA-SF-PEJ](#) [95079-00CALF](#) [84648-056HLF](#) [68-580163-21S](#) [33DVIR-29S12R](#)
[SF58S006VBBR2000](#) [93-570123-08P](#) [GMC020080HR](#) [125A-78C00](#) [1010040575#](#)