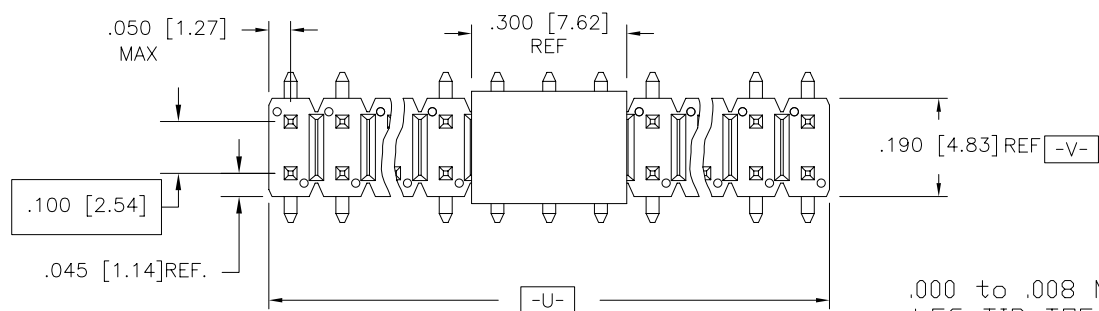
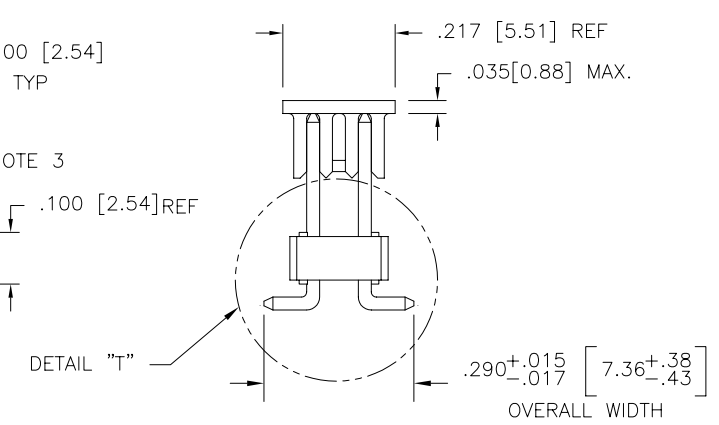
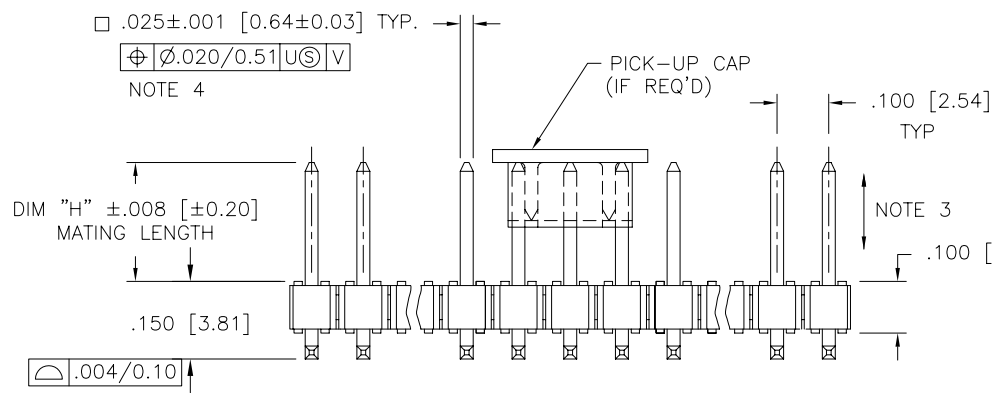


PRODUCT NO.
XXXXX-YYYP LF

- LEAD FREE OPTION (SEE NOTE 8 & 10)
- PACKAGING OPTIONS (SEE NOTE 6)
- NO. OF POSITIONS (SEE NOTE 5)
- PLATING NUMBER (SEE SHEET 2)
- BASE PART NUMBER (SEE SHEET 4)



□ .025±.001 [0.64±0.03] TYP.
 ⊕ ∅.020/0.51 U Ⓢ V
 NOTE 4

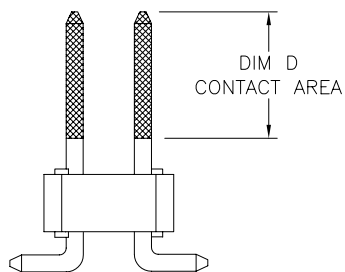


mat'l. code				surface ISO 1302 ✓		tolerance ISO 406 ISO 1101		projection INCH/MM		product family BERGSTIK				
tolerances unless otherwise specified				angles		linear		scale 3:1		title BERGSTIK® II HEADER DR .100cc DUPLEX VERT. SMT.				
ltr	ecn	no	dr	date						dwg no			sheet 1 of 4	size
S	E20022	TAB		1/06/03						95157			A3	
T	v03-0658	DAI		6/16/03						type			Product Customer Drawing	
U	v05-0222	LP		3/14/05	0°±2'									
V	M05-0118	AGS		6/03/05	dr	M. CLOUSER	4/28/95							
W	M06-0271	AGS		7/15/06	engr	T. HANNA	4/28/95							
X	M06-0360	MHT		9/13/06	chr	T. HANNA	4/28/95							
Y	M07-0449	AGS		10/10/07	appd	T. HANNA	4/28/95							
sheet	revision	Y	Y	Y	Y									
index	sheet	1	2	3	4									



Copyright FCI

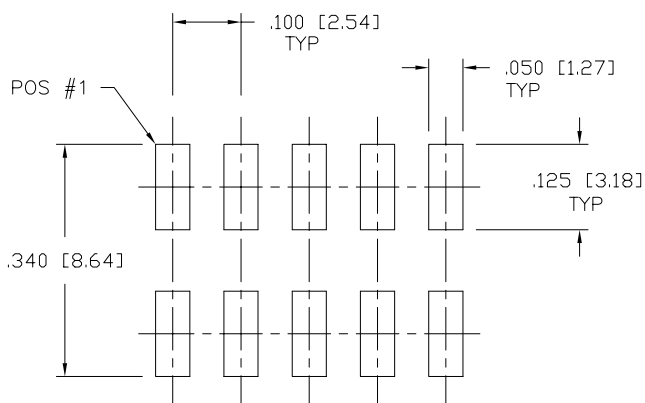
PRODUCT NUMBER	CONTACT AREA "DIM D" PLATING	TAIL PLATING	
XXXXX-1YY	30u"/0.76u Au OVER 50u"/1.27u Ni.	100u"/2.54u TIN OVER 50u"/1.27u Ni.	(NOTE 11)
XXXXX-2YY	15u"/0.38u Au OVER 50u"/1.27u Ni.	100u"/2.54u TIN OVER 50u"/1.27u Ni.	(NOTE 11)
XXXXX-1YYLF	30u"/0.76u Au OVER 50u"/1.27u Ni.	100u"/2.54u TIN OVER 50u"/1.27u Ni.	(NOTE 11)
XXXXX-2YYLF	15u"/0.38u Au OVER 50u"/1.27u Ni.	100u"/2.54u TIN OVER 50u"/1.27u Ni.	(NOTE 11)
XXXXX-4YYLF	100u"/2.54u" min Sn OVER 50u"/1.27u min Ni.	100u"/2.54u TIN OVER 50u"/1.27u Ni.	(NOTE 11)



DOUBLE ROW SMT
END VIEW

NOTES:

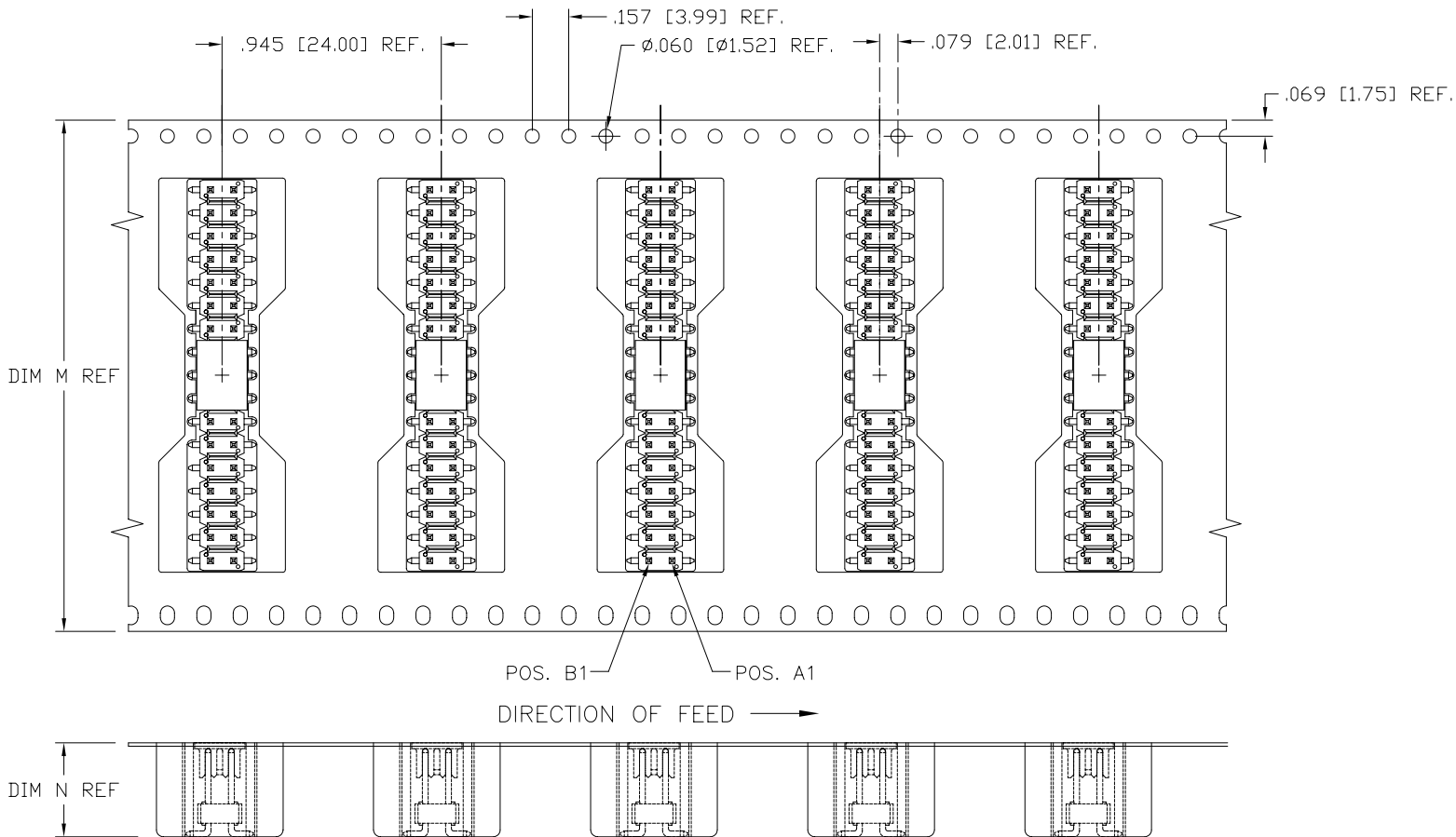
- ① BODY MATERIAL: GLASS FIBER REINFORCED PCT FLAME RETARDENT PER UL-94V-0. COLOR: BLACK
- ② PIN MATERIAL: PHOS-BRONZE.
- ③ 2 Lbs / 0.9 Kg MIN PIN RETENTION IN EITHER DIRECTION.
- ④ MEASURED WITH PART IN RESTRAINED CONDITION.
- ⑤ NUMBER OF POSITIONS FROM 4(2X2) THRU 40(2X20) EXCEPT TAPE-ON-REEL AVAILABLE 4(2X2) THRU 34(2X17) ONLY.
- ⑥ PACKAGING OPTIONS: CHECK SPECIFIC PART NUMBERS FOR AVAILABILITY.
PART NUMBERS WITHOUT A SUFFIX ARE PACKAGED IN POLY BAGS.
PART NUMBERS FOLLOWED BY A "T" SUFFIX ARE PACKAGED IN TUBES.
PART NUMBERS FOLLOWED BY A "V" SUFFIX ARE PACKAGED TAPE-ON-REEL WITH A PICK-UP CAP INSTALLED CENTRALLY LOCATED.
PART NUMBERS FOLLOWED BY A "W" SUFFIX ARE PACKAGED TAPE-ON-REEL WITHOUT A PICK-UP CAP.
- ⑦ CONTACT MARKETING BEFORE ORDERING ODD POSITION PART NUMBERS (2X3,2X5,2X7,ETC.).
- ⑧ ADD LF TO THE END OF PART NUMBER FOR LEAD FREE OPTION.
- ⑨ THE HOUSING WILL WITHSTAND EXPOSURE TO 260°C PEAK TEMPERATURE FOR 20 SECONDS IN A CONVECTION, INFRA-RED OR VAPOR PHASE REFLOW OVEN. SEE APPLICATION NOTES/PROCEDURES IF THEY ARE AVAILABLE.
- ⑩ THESE PRODUCTS MEETS EUROPEAN UNION DIRECTIVES AND OTHER COUNTRY REGULATION AS DESCRIBED IN GS-22-008.
- ⑪ "THIS PRODUCT HAS 100% TIN PLATING IN THE INTERFACE AND HAS NOT BEEN TESTED FOR WISKER GROWTH IN ALL INTERCONNECT ENVIROMENTS".



DOUBLE ROW
RECOMMENDED PAD LAYOUT
SCALE: 4/1

mat'l. code		surface ISO 1302 ✓	tolerance ISO 406 ISO 1101	projection INCH/MM	product family BERGSTIK
ltr	ecn	no	dr	date	tolerances unless otherwise specified
Y					angles linear .xx±.01/0.3 .xxx±.005/0.13 0°±2' .xxxx±.0020/0.051
					scale 3:1
			dr	M. CLOUSER 4/28/95	
			enr	T. HANNA 4/28/95	
			chr	T. HANNA 4/28/95	
			appd	T. HANNA 4/28/95	
sheet index	revision sheet				title BERGSTIK® II HEADER DR .100cc DUPLEX VERT. SMT. dwg no 95157 sheet2 of 4 size A3 type Product Customer Drawing

PRODUCT NUMBER
SEE TABLE



FCI
FCIconnect.com

Copyright FCI

mat'l. code		surface ISO 1302 ✓	tolerance ISO 406 ISO 1101	projection ⊕	product family BERGSTIK
ltr	ecn no dr	date		tolerances unless otherwise specified	
Y				INCH/MM	title BERGSTIK® II HEADER DR .100cc DUPLEX VERT. SMT.
		angles	linear	scale 3:1	dwg no 95157
		0°±2'	.xx±.01/0.3 .xxx±.005/0.13 .xxxx±.0020/0.051		sheet 3 of 4 size A3
		dr	M. CLOUSER	4/28/95	FCI type Product Customer Drawing
		enr	T. HANNA	4/28/95	
		chr	T. HANNA	4/28/95	
		appd	T. HANNA	4/28/95	
sheet index	revision sheet				

form: A3

PRODUCT NUMBER	MATING LENGTH DIM H	CONTACT AREA DIM D	TAPE WIDTH DIM M	POCKET DEPTH DIM N	PACKAGING	LF OPTION
55426-XXY	NOT AVAILABLE					SEE NOTES 8, 9, 10
72598-XXY	.330/8.38	.200/5.08	-/-	-/-	POLY BAGS	
84731-XXY	NOT AVAILABLE					
84733-XXY	NOT AVAILABLE					
95157-XXY	.230/5.84	.185/4.70	2.20/55.9	.43/11.0	POLY BAGS/TAPE-ON-REEL/TUBES	
95157-210V	.230/5.84	.185/4.70	1.26/32	.43/11.0	TAPE ON REEL	
95157-216V	.230/5.84	.185/4.70	1.73/44	.43/11.0	TAPE ON REEL	
95159-XXY	.318/8.08	.200/5.08	2.20/55.9	.52/13.2	POLY BAGS/TAPE-ON-REEL/TUBES NOTE 7	
98273-XXY	.360/9.14	.200/5.08	-/-	-/-	POLY BAGS	



Copyright FCI

mat'l. code		surface ISO 1302 <input checked="" type="checkbox"/>	tolerance ISO 406 ISO 1101	projection 	product family BERGSTIK
ltr	ecn no dr	date		tolerances unless otherwise specified	title
Y				angles linear 0°±2'	BERGSTIK® II HEADER DR .100cc DUPLEX VERT. SMT.
				.xx±.01/0.3 .xxx±.005/0.13 .xxxx±.0020/0.051	INCH/MM scale 3:1
		dr	M. CLOUSER	4/28/95	dwg no
		enr	T. HANNA	4/28/95	sheet 4 of 4
		chr	T. HANNA	4/28/95	size
		appd	T. HANNA	4/28/95	A3
sheet index	revision sheet				type Product Customer Drawing

X-ON Electronics

Largest Supplier of Electrical and Electronic Components

Click to view similar products for [Headers & Wire Housings](#) category:

Click to view products by [Amphenol](#) manufacturer:

Other Similar products are found below :

[892-18-020-10-001101](#) [58102-G61-06LF](#) [582553-1](#) [0009485154](#) [009176003701906](#) [0050291907](#) [LY20-4P-DT1-P1E-BR](#) [02.125.8002.8](#)
[609-3404](#) [61062-3](#) [622-0430](#) [622-3653LF](#) [63453-116](#) [636-1030](#) [636-1427](#) [636-3427](#) [636-4007](#) [641938-9](#) [641991-4](#) [644827-2](#) [65817-010LF](#)
[65817-015LF](#) [65863-015LF](#) [66207-023LF](#) [67095-007LF](#) [67601157](#) [68648-049](#) [70.362.1628.0](#) [70-4210](#) [70-4226B](#) [70-4853B](#) [707-5020](#) [707-5028](#) [71.350.2428.0](#) [71918-208LF](#) [71961-016LF](#) [733-134](#) [733-162](#) [754199-000](#) [760-3052](#) [787-8014-00](#) [79531-3000](#) [FCN-360C032-B](#) [FCN-367T-T012/H](#) [FCN-723D010/2](#) [80.063.4001.1](#) [800-90-001-10-001000](#) [800-90-010-10-002000](#) [801-43-002-10-013000](#) [801-43-006-10-002000](#)