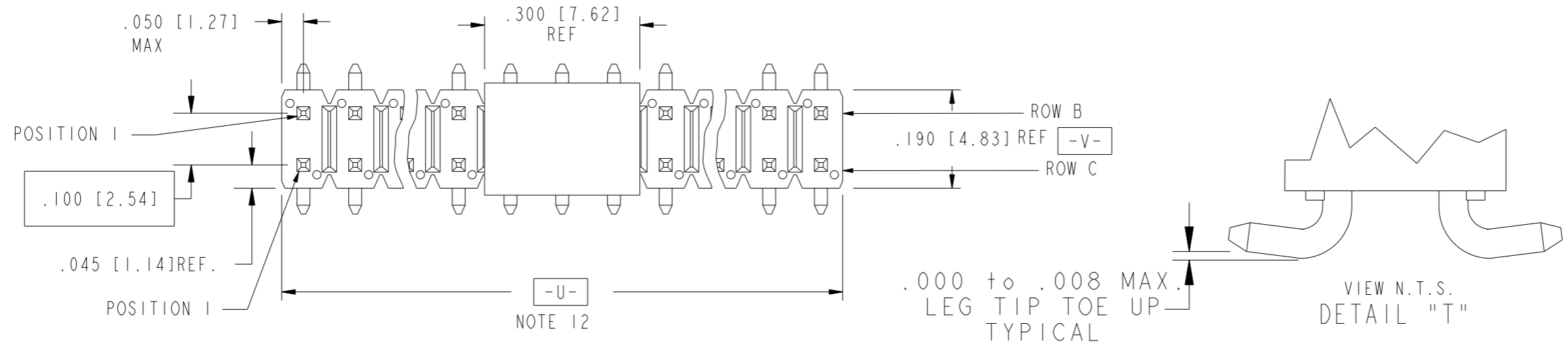
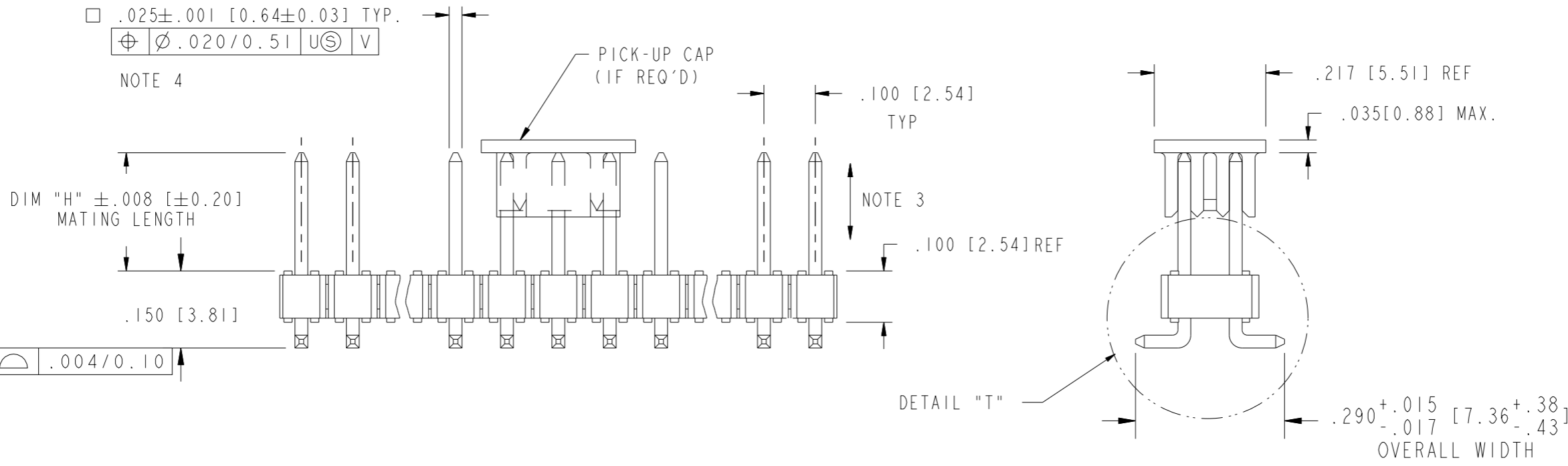


PRODUCT NO.
XXXXX-XYYP XXX LF

- LEAD FREE OPTION (SEE NOTE 8 & 10)
- POLARIZATION NOTE 12
- PACKAGING OPTIONS (SEE NOTE 6)
- NO. OF POSITIONS (SEE NOTE 5)
- PLATING NUMBER (SEE SHEET 2)
- BASE PART NUMBER (SEE SHEET 4)



□ .025±.001 [0.64±0.03] TYP.
 ⊕ ∅.020/0.51 UⓈ V
 NOTE 4

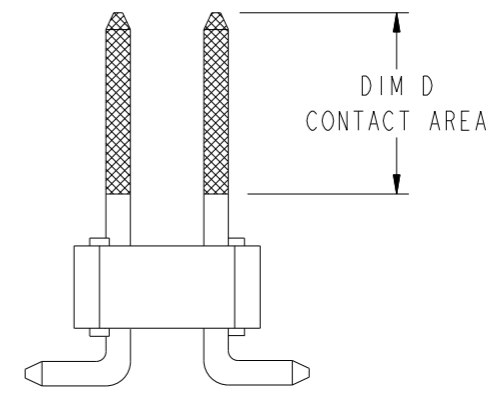


⌒ .004/0.10

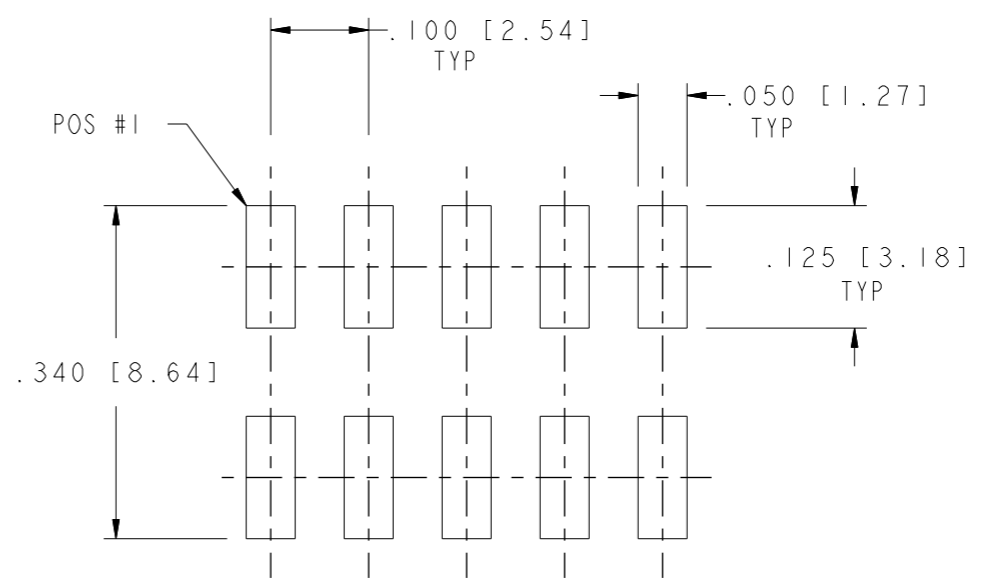
spec ref	dr	Yong Huang	2010/10/25	projection	INCH/MM	size	A3	scale	2:1			
tolerance std	eng	Henry Guo	2014/06/06			ecn no		ELX-N-17855-1				
TOLERANCES UNLESS OTHERWISE SPECIFIED						product family		rel level		Released		
surface	linear	.XX/0.X	±0.01/±0.3		BERGSTIC II HEADER DR				dwg no	95157	rev	AJ
		.XXX/0.XX	±0.005/±0.13		.100cc DUPLEX VERT. SMT							
		.XXXX/0.XXX	±0.002/±0.05		www.fci.com							
angular	0°	±2°	cat. no.	Product - Customer Drw		sheet 1 of 5						

PRODUCT NUMBER	CONTACT AREA "DIM D" PLATING	TAIL PLATING
XXXXX-1YY	30u"/0.76u Au OVER 50u"/1.27u Ni.	100u"/2.54u MATTE TIN OVER 50u"/1.27u Ni.
XXXXX-2YY	15u"/0.38u Au OVER 50u"/1.27u Ni.	100u"/2.54u MATTE TIN OVER 50u"/1.27u Ni.
XXXXX-1YYLF	30u"/0.76u Au OVER 50u"/1.27u Ni.	100u"/2.54u MATTE TIN OVER 50u"/1.27u Ni.
XXXXX-2YYLF	15u"/0.38u Au OVER 50u"/1.27u Ni.	100u"/2.54u MATTE TIN OVER 50u"/1.27u Ni.
XXXXX-4YYLF	100u"/2.54u" min Matte Tin OVER 50u"/1.27u min Ni.	100u"/2.54u MATTE TIN OVER 50u"/1.27u Ni.

(NOTE 11 & 13)
 (NOTE 11 & 13)
 (NOTE 11 & 13)
 (NOTE 11 & 13)
 (NOTE 11)



DOUBLE ROW SMT
END VIEW



DOUBLE ROW
RECOMMENDED PAD LAYOUT
SCALE: 4/1

NOTES:

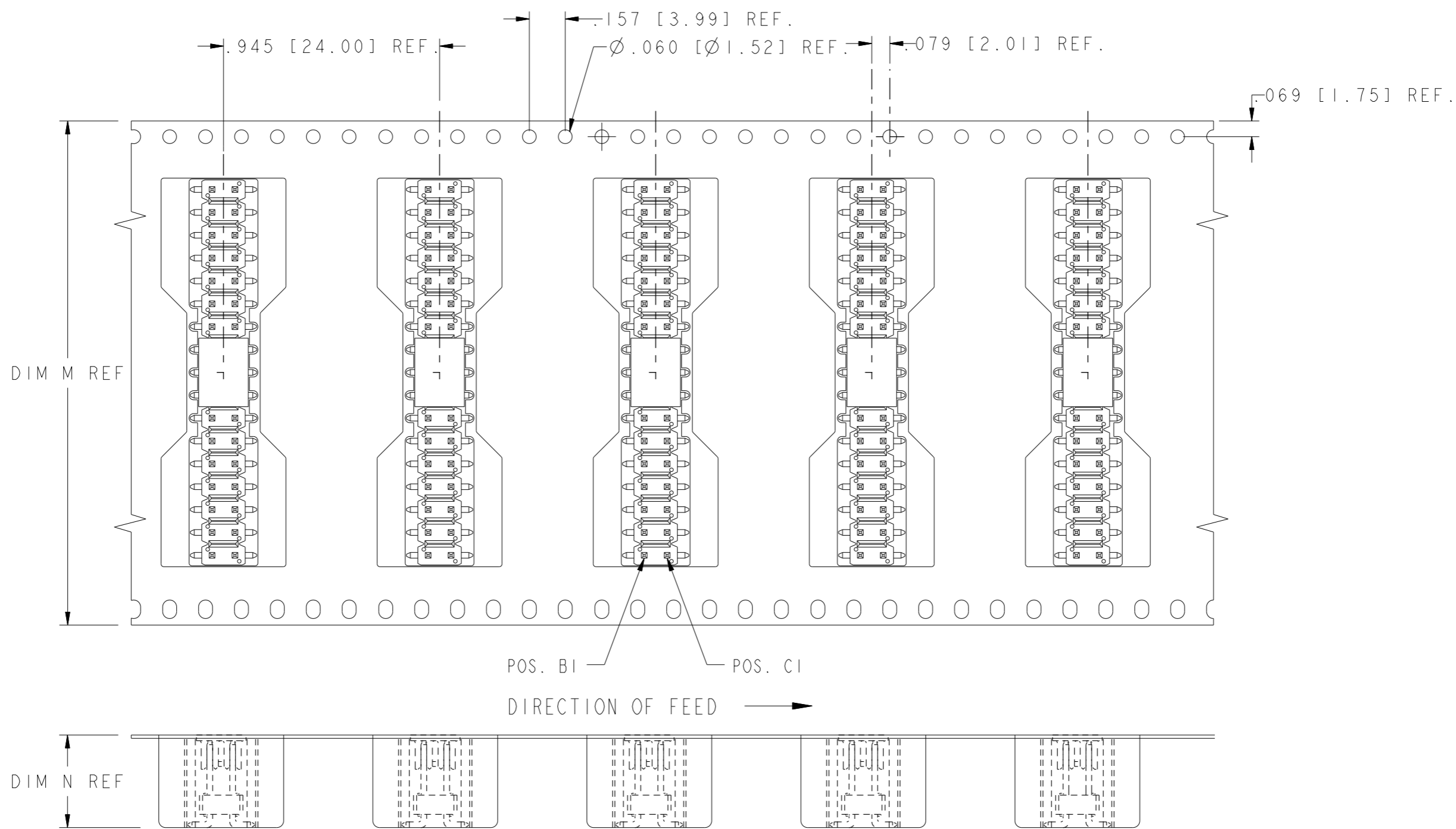
- ① BODY MATERIAL: GLASS FIBER REINFORCED PCT OR PA46 FLAME RETARDENT PER UL-94V-0. COLOR: BLACK
OR
MINERAL FILLED LCP FLAME RETARDENT PER UL-94V-0. COLOR: BLACK
- ② PIN MATERIAL: PHOS-BRONZE.
- ③ 2 Lbs / 0.9 Kg MIN PIN RETENTION IN EITHER DIRECTION.
- ④ MEASURED WITH PART IN RESTRAINED CONDITION.
- ⑤ NUMBER OF POSITIONS FROM 4(2X2) THRU 40(2X20) EXCEPT TAPE-ON-REEL AVAILABLE 4(2X2) THRU 34(2X17) ONLY.
- ⑥ PACKAGING OPTIONS: CHECK SPECIFIC PART NUMBERS FOR AVAILABILITY. PART NUMBERS WITHOUT A SUFFIX ARE PACKAGED IN POLY BAGS. PART NUMBERS FOLLOWED BY A "T" SUFFIX ARE PACKAGED IN TUBES. PART NUMBERS FOLLOWED BY A "V" SUFFIX ARE PACKAGED TAPE-ON-REEL WITH A PICK-UP CAP INSTALLED CETRALLY LOCATED. PART NUMBERS FOLLOWED BY A "VM" SUFFIX ARE PACKAGED DIFFERENT TAPE-ON-REEL WITH A PICK-UP CAP INSTALLED CETRALLY LOCATED. AVAILABLE PART NUMBERS SEE TAB. PART NUMBERS FOLLOWED BY A "W" SUFFIX ARE PACKAGED TAPE-ON-REEL WITHOUT A PICK-UP CAP.
- ⑦ CONTACT MARKETING BEFORE ORDERING ODD POSITION PART NUMBERS (2X3,2X5,2X7,ETC.).
- ⑧ ADD LF TO THE END OF PART NUMBER FOR LEAD FREE OPTION.
- ⑨ THE HOUSING WILL WITHSTAND EXPOSURE TO 260°C PEAK TEMPERATURE FOR 20 SECONDS IN A CONVECTION, INFRA-RED OR VAPOR PHASE REFLOW OVEN. SEE APPLICATION NOTES/PROCEDURES IF THEY ARE AVAILABLE.
- ⑩ THESE PRODUCTS MEETS EUROPEAN UNION DIRECTIVES AND OTHER COUNTRY REGULATION AS DESCRIBED IN GS-22-008.
- ⑪ "THIS PRODUCT HAS 100% MATTE TIN PLATING IN THE INTERFACE AND HAS NOT BEEN TESTED FOR WISKER GROWTH IN ALL INTERCONNECT ENVIROMENTS".
- ⑫ FOR POLARIZATION SPECIFY POSITION NUMBER (i.e. B03 = ROW B POSITION 3) TO OMIT AN OMIT FROM PRODUCT NUMBER IF THIS TEXTURE IS NOT APPLICABLE PRODUCT MANAGER APPROVAL REQUIRED PRIOR TO RELEASE OR SALE OF POLARIZED PRODUCTS.
- ⑬ PLATING OPTIONS: MAY BE EITHER GOLD OR GXT PLATED AT MANUFACTURER'S OPTION.



Copyright FCI.

dr	Yong Huang	2010/10/25	projection	INCH/MM	size	A3	scale	DRAWING SCALE
eng	Henry Guo	2014/06/06			ecn no	ELX-N-17855-1		
chr	-	-	product family	← →	rel level	Released		
appr	Rick Bian	2014/06/11						
www.fci.com		cat. no.	BERGSTIC II HEADER DR		dwg no	95157	rev	AJ
			Product - Customer Drw		sheet 2 of 5			

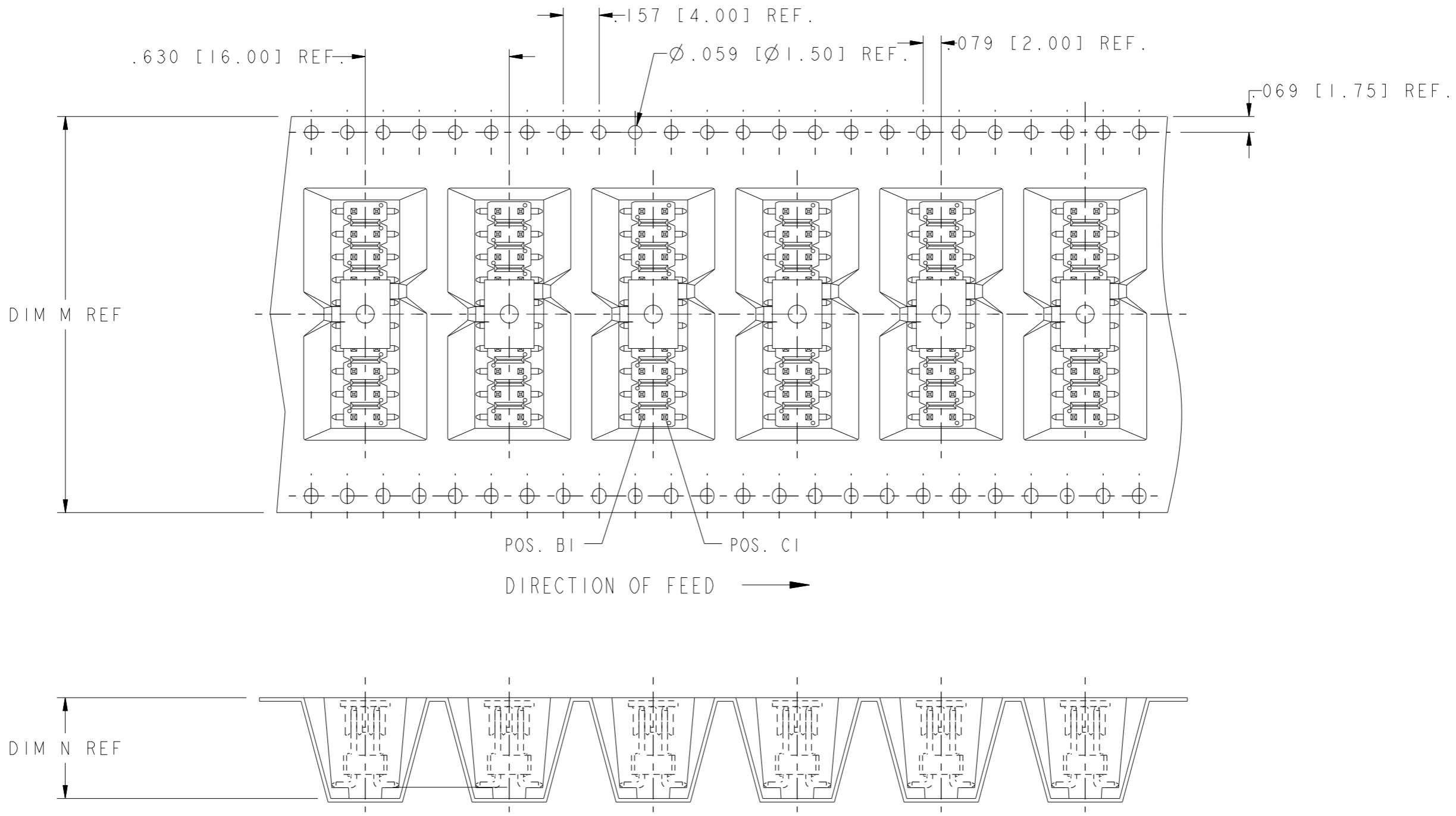
PRODUCT NUMBER
SEE TABLE



Copyright FCI.
FCI

dr	Yong Huang	2010/10/25	projection INCH/MM	size	A3	scale	DRAWING SCALE
eng	Henry Guo	2014/06/06		ecn no	ELX-N-17855-1		
chr	-	-	product family	rel level	Released		
appr	Rick Bian	2014/06/11		title	BERGSTIC II HEADER DR		rev
www.fci.com	cat. no.		dwg no	95157		sheet 3 of 5	

PRODUCT NUMBER
SEE TABLE



Copyright FCI.
FCI

dr	Yong Huang	2010/10/25	projection 	size A3	scale DRAWING SCALE
eng	Henry Guo	2014/06/06			
chr	-	-	product family	ecn no	ELX-N-17855-1
appr	Rick Bian	2014/06/11		rel level	Released
	title BERGSTIC II HEADER DR .100cc DUPLEX VERT. SMT		dwg no	95157	rev AJ
www.fci.com	cat. no.		Product - Customer Drw		sheet 4 of 5

	1	2		3		4		
	PRODUCT NUMBER	MATING LENGTH DIM H	CONTACT AREA DIM D	TAPE WIDTH DIM M	POCKET PITCH	POCKET DEPTH DIM N	PACKAGING	LF OPTION
A	55426-XXY	NOT AVAILABLE						SEE NOTES 8, 9, 10
	72598-XXX	.330/8.38	.200/5.08	-/-	-/-	-/-	POLY BAGS	
	84731-XXX	NOT AVAILABLE						
	84733-XXX	NOT AVAILABLE						
B	95157-XXX	.230/5.84	.185/4.70	2.205/56.00	.945/24.0	.43/11.0	POLY BAGS/TAPE-ON-REEL/TUBES	
	95157-210V	.230/5.84	.185/4.70	1.26/32	.945/24.0	.43/11.0	TAPE ON REEL	
	95157-216V	.230/5.84	.185/4.70	1.73/44	.945/24.0	.43/11.0	TAPE ON REEL	
	95157-X10VM	.230/5.84	.185/4.70	.945/24	.630/16.0	.441/11.2	TAPE ON REEL	
	95157-X14VM	.230/5.84	.185/4.70	1.73/44	.630/16.0	.441/11.2	TAPE ON REEL	
	95157-X16VM	.230/5.84	.185/4.70	1.73/44	.630/16.0	.441/11.2	TAPE ON REEL	
	95157-X20VM	.230/5.84	.185/4.70	1.73/44	.630/16.0	.441/11.2	TAPE ON REEL	
	95159-XXX	.318/8.08	.200/5.08	2.205/56.00	.945/24.0	.52/13.2	POLYBAGS/TAPE-ON-REEL/TUBES NOTE 7	
	98273-XXX	.360/9.14	.200/5.08	-/-	.945/24.0	-/-	POLY BAGS	
	71276-XXYH	.230/5.84	.200/5.08	2.205/56.00	.945/24.0	.433/11.00	POLY BAGS/TAPE ON REEL	
	71276-408HV	.230/5.84	.200/5.08	.945/24.00	.945/24.0	.433/11.00	TAPE ON REEL	
	C	71276-410HV2	.230/5.84	.200/5.08	.945/24.00	.945/24.0	.415/10.54	
71277-XXYH		.318/8.08	.288/7.32	2.205/56.00	.945/24.0	.524/13.28	POLY BAGS/TAPE ON REEL, NOTE 7	
71276-XXYHLF		.230/5.84	.200/5.08	2.205/56.00	.945/24.0	.433/11.00	POLY BAGS/TAPE ON REEL	
71276-408HVLF		.230/5.84	.200/5.08	.945/24.00	.945/24.0	.433/11.00	TAPE ON REEL	
71276-410HV2LF		.230/5.84	.200/5.08	.945/24.00	.945/24.0	.415/10.54	TAPE ON REEL	
71277-XXYHLF	.318/8.08	.288/7.32	2.205/56.00	.945/24.0	.524/13.28	POLY BAGS/TAPE ON REEL, NOTE 7		



Copyright FCI.

dr	Yong Huang	2010/10/25	projection	INCH/MM	size	A3	scale	DRAWING SCALE
eng	Henry Guo	2014/06/06			ecn no	ELX-N-17855-1		
chr	-	-			rel level	Released		
appr	Rick Bian	2014/06/11	product family					
		BERGSTIC II HEADER DR .100cc DUPLEX VERT. SMT			dwg no 95157	rev AJ		
www.fci.com		cat. no.	Product - Customer Drw		sheet 5 of 5			

X-ON Electronics

Largest Supplier of Electrical and Electronic Components

Click to view similar products for [Headers & Wire Housings](#) category:

Click to view products by [Amphenol](#) manufacturer:

Other Similar products are found below :

[892-18-020-10-001101](#) [58102-G61-06LF](#) [582553-1](#) [0009485154](#) [009176003701906](#) [0050291907](#) [LY20-4P-DT1-P1E-BR](#) [02.125.8002.8](#)
[609-3404](#) [61062-3](#) [622-0430](#) [622-3653LF](#) [63453-116](#) [636-1030](#) [636-1427](#) [636-3427](#) [636-4007](#) [641938-9](#) [641991-4](#) [644827-2](#) [65817-010LF](#)
[65817-015LF](#) [65863-015LF](#) [66207-023LF](#) [67095-007LF](#) [67601157](#) [68648-049](#) [70.362.1628.0](#) [70-4210](#) [70-4226B](#) [70-4853B](#) [707-5020](#) [707-](#)
[5028](#) [71.350.2428.0](#) [71918-208LF](#) [71961-016LF](#) [733-134](#) [733-162](#) [754199-000](#) [760-3052](#) [787-8014-00](#) [79531-3000](#) [FCN-360C032-B](#) [FCN-](#)
[367T-T012/H](#) [FCN-723D010/2](#) [80.063.4001.1](#) [800-90-001-10-001000](#) [800-90-010-10-002000](#) [801-43-002-10-013000](#) [801-43-006-10-002000](#)