

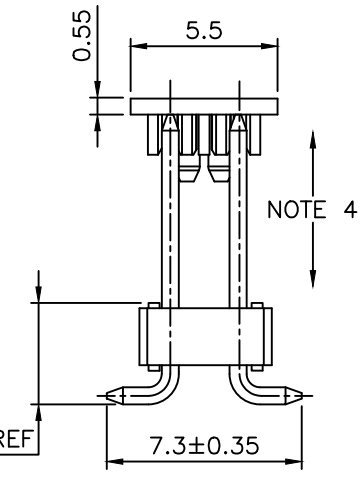
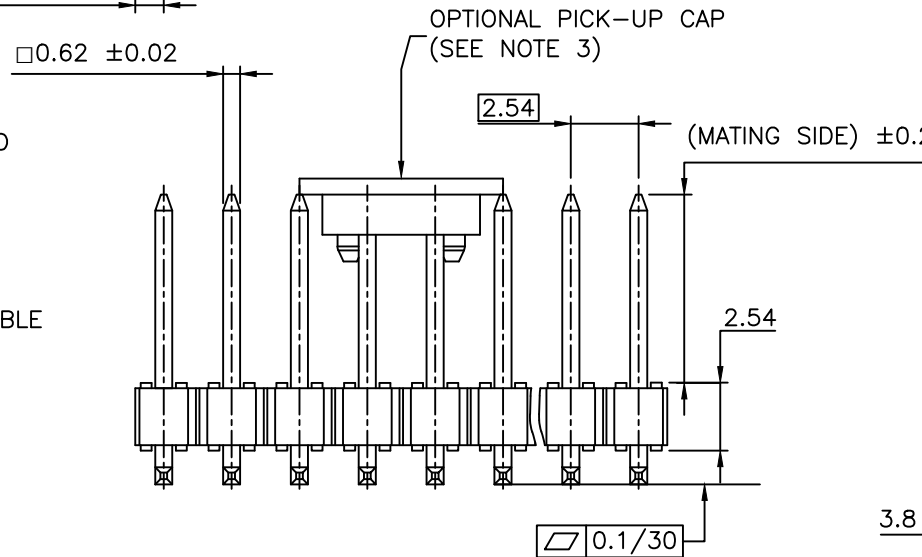
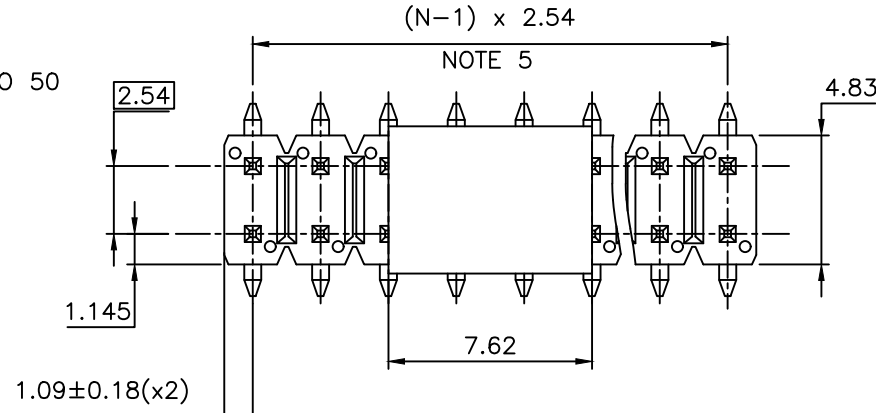
PRODUCT NUMBER

95278-YXX-XXLF

- └── RoHS COMPATIBLE, NOTE 6.
- └── TOTAL NB OF POSITIONS 04 TO 50
- └── PACKAGING OPTIONS, NOTE 3.
- └── PIN STYLE SEE SHEET 2
- └── PLATING SEE SHEET 2

NOTES:

1. HOUSING MAT'L : HIGH TEMPERATURE THERMOPLASTIC. UL94V-0 COLOR: BLACK
2. PIN MATERIAL : PHOSPHOR BRONZE
- 3 - PACKAGING OPTIONS:
 - = POLY BAGS
 - B = TUBE + CAP
 - A = TAPE & REEL WITH CAP, AS AVAILABLE
CAUTION: CAP ON 95278-YXX-04LF IS ORIENTED 90° VERSUS OTHER NB OF POSITIONS
 - TR = CUSTOM TAPE & REEL WITH CAP, SEE TA840 ONLY FOR P/N 95278-102TR04LF AND P/N 95278-101TR10LF
 - T = TUBE WITHOUT PICK UP CAP
 - K = TAPE & REEL WITHOUT PICK UP CAP, AS AVAILABLE
4. 9N MIN RETENTION IN EITHER DIRECTION
5. TO DETERMINE DIMENSIONS :
N = NUMBER OF POSITIONS PER ROW
6. RoHS COMPATIBLE PRODUCT SPECIFICATIONS
 - a - PLATING:
 - "LF" MEANS THE PRODUCT IS LEAD-FREE, 2µm MINIMUM MATTE TIN OVER 1.27µm MINIMUM NICKEL UNDERPLATE.
 - b - MANUFACTURING PROCESS COMPATIBILITY
 - THE HOUSING WILL WITHSTAND EXPOSURE TO 260°C PEAK TEMPERATURE FOR 30 SECONDES IN A CONVECTION, INFRA-RED OR VAPOR PHASE REFLOW OVEN.
 - c - LABELING:
 - MEETS PACKAGING SPECS AS PER GS-14-920
 - d - LEGAL STATEMENT: SEE GS-47-0004



mat'l. code		surface		tolerance		projection		product family	
		ISO 1302		ISO 406 ISO 1101		mm		BERGSTIK	
ltr ecn no dr date		tolerances unless otherwise specified						title	
AE F-36577 DDE 20.03.31		linear x.xx ±0.3						UNSHR.HEADER	
AF F-41211 DDE 21.06.15		x.xxx ±0.13						DR SMT	
		x.xxx ±0.05						dwg no sheet 1 of 2 size	
AA F-23246 AMA 16.02.12 dr D.LE 01.01.24								95278 A3	
AB F-23258 AMA 16.02.15 engr JM.C 01.01.24								type CUSTOMER Drawing	
AC F-23474 JJU 16.03.08 chr JM.C 01.01.24									
AD F-31155 DDE 18.09.05 appd JF.N 01.01.24									
sheet revision AF V									
index sheet 1 2									

PIN STYLE	MATING
01	5.9
02	8
03	9.9
04	11.4
05	9.2
06	10.4
07	5.3
09	17.00
10	8.10
11	8.50
12	3.05
13	14.35
14	4.00
15	6.60
16	3.30

PLATING

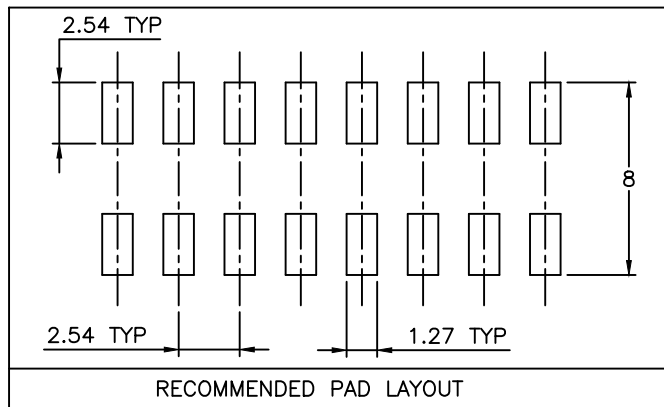
1 = 0.76µm GOLD/GXT ON CONTACT AREA, 2µm TIN MIN ON TAIL

4 = 2µm TIN MIN FULL PLATED

5 = 0.25µm GOLD/GXT ON CONTACT AREA, 2µm TIN MIN ON TAIL

8 = 0.38µm GOLD/GXT ON CONTACT AREA, 2µm TIN MIN ON TAIL

- 1.27µm NICKEL MIN UNDERLAYER FOR ALL PLATING VERSIONS



mat'l. code				surface ISO 1302 <input checked="" type="checkbox"/> ISO 406 <input type="checkbox"/> ISO 1101 <input type="checkbox"/>		tolerance tolerances unless otherwise specified		projection 		product family BERGSTIK	
ltr	ecn no	dr	date	angles		linear		mm		title UNSHR.HEADER DR SMT	
N	F08-0253	LMU	08.12.10					scale N/A		sheet 2 of - size	
P	B-18789	LMU	14.09.11							95278 A3	
R	B-18983	LMU	14.10.03							type CUSTOMER Drawing	
S	B-20276	LMU	15.02.16	dr	D.LE	01.01.24					
T	B-20561	AMA	15.03.26	engr	JM.C	01.01.24					
U	F-22120	BVE	15.10.09	chr	JM.C	01.01.24					
V	F-41211	DDE	21.06.15	appd	JF.N	01.01.24					
sheet index	revision sheet										



Copyright FCI

X-ON Electronics

Largest Supplier of Electrical and Electronic Components

Click to view similar products for [Headers & Wire Housings](#) category:

Click to view products by [Amphenol](#) manufacturer:

Other Similar products are found below :

[892-18-020-10-001101](#) [58102-G61-06LF](#) [582553-1](#) [0009485154](#) [009176003701906](#) [0050291907](#) [LY20-4P-DT1-P1E-BR](#) [02.125.8002.8](#)
[609-3404](#) [61062-3](#) [622-0430](#) [622-3653LF](#) [63453-116](#) [636-1030](#) [636-1427](#) [636-3427](#) [636-4007](#) [641938-9](#) [641991-4](#) [644827-2](#) [65817-010LF](#)
[65817-015LF](#) [65863-015LF](#) [66207-023LF](#) [67095-007LF](#) [67601157](#) [68648-049](#) [70.362.1628.0](#) [70-4210](#) [70-4226B](#) [70-4853B](#) [707-5020](#) [707-](#)
[5028](#) [71.350.2428.0](#) [71918-208LF](#) [71961-016LF](#) [733-134](#) [733-162](#) [754199-000](#) [760-3052](#) [787-8014-00](#) [79531-3000](#) [FCN-360C032-B](#) [FCN-](#)
[367T-T012/H](#) [FCN-723D010/2](#) [80.063.4001.1](#) [800-90-001-10-001000](#) [800-90-010-10-002000](#) [801-43-002-10-013000](#) [801-43-006-10-002000](#)