

PRODUCT NUMBER  
95293-XXX-XXLF

- RoHS COMPATIBLE, SEE NOTE 6
- TOTAL NB OF POSITIONS, 3 TO 17
- PACKAGING TYPE, NOTE 3

PLATING

- 1= 0.76µm GOLD/GXT ON CONTACT AREA, 2µm MATTE TIN MIN ON TAILS
  - 4= 2.0µm MATTE TIN MIN FULL PLATED
  - 5= 0.25µm GOLD/GXT ON CONTACT AREA, 2µm MATTE TIN MIN ON TAILS
  - 8= 0.38µm GOLD/GXT ON CONTACT AREA, 2µm MATTE TIN MIN ON TAILS
- 1.27µm NICKEL MIN UNDERLAYER FOR ALL PLATING VERSIONS

CATALOGUE RANGE	
PIN STYLE	MATING
01	5.84
02	8.08

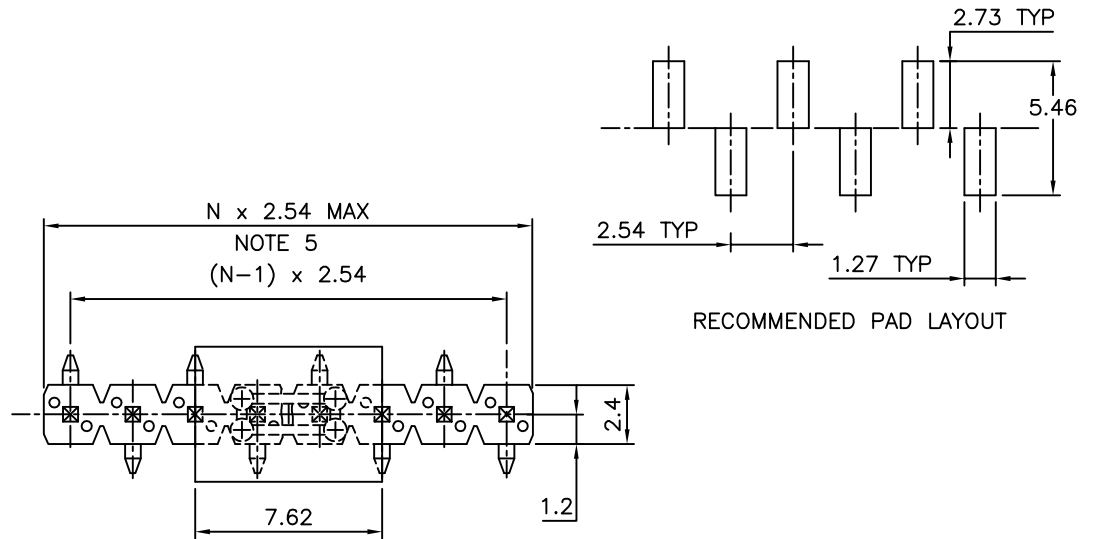
APPLICATION SPECIFIC	
PIN STYLE	MATING
05	9.60
06	3.00

NOTES:

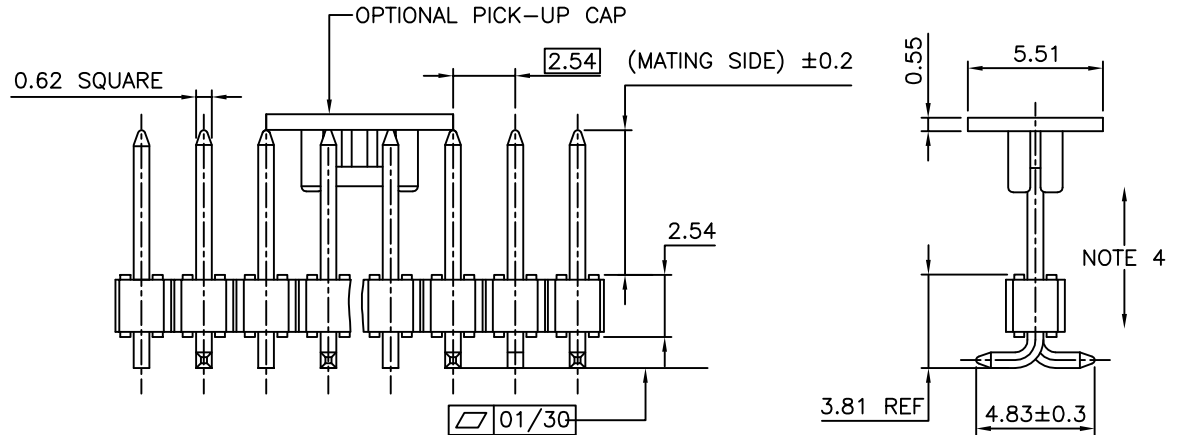
- 1 - HOUSING MAT'L : HIGH TEMPERATURE THERMOPLASTIC. UL94V-0 COLOR: BLACK
- 2 - PIN MATERIAL : PHOSPHOR BRONZE
- 3 - PACKAGING
  - = POLY BAGS
  - B = TUBE + CAP
  - A = TAPE & REEL + CAP, AS AVAILABLE
- 4 - 9N MIN RETENTION IN EITHER DIRECTION
- 5 - TO DETERMINE DIMENSIONS :  
N = NUMBER OF POSITIONS  
EXAMPLE : 8 POS N x 2.54 = 20.32mm

6. RoHS COMPATIBLE PRODUCT SPECIFICATIONS

- a - PLATING:
  - "LF" MEANS THE PRODUCT IS LEAD-FREE, 2µm MINIMUM MATTE TIN OVER 1.27µm MINIMUM NICKEL UNDERPLATE.
- b - MANUFACTURING PROCESS COMPATIBILITY
  - THE HOUSING WILL WITHSTAND EXPOSURE TO 260°C PEAK TEMPERATURE FOR 30 SECONDES IN A CONVECTION, INFRA-RED OR VAPOR PHASE REFLOW OVEN.
- c - LABELING:
  - MEETS PACKAGING SPECS AS PER GS-14-920
- d - LEGAL STATEMENT: SEE GS-47-0004



RECOMMENDED PAD LAYOUT



mat'l. code SEE NOTES		surface ISO 1302	tolerance ISO 406 ISO 1101	projection	product family BERGSTIK
ltr	ecn no	dr	date	tolerances unless otherwise specified	title
P	B-18983	LMU	14.10.03	angles	UNSHR.HEADER SR SMT
R	B-20569	AMA	15.03.26	linear	
S	F-23055	AMA	16.01.15	or ±2'	scale 5:1
T	F-25587	LMU	16.12.08	dr	Amphenol <b>FCI</b>
				enrg	
M	F08-0148	RTR	08.03.31	chr	dwg no
N	F10-0207	JCO	10.09.09	appd	JF.N
sheet	revision				sheet 1 of 1
index	sheet				size
					95293
					A3
					type
					CUSTOMER
					Drawing

## X-ON Electronics

Largest Supplier of Electrical and Electronic Components

*Click to view similar products for [Headers & Wire Housings](#) category:*

*Click to view products by [Amphenol](#) manufacturer:*

Other Similar products are found below :

[892-18-020-10-001101](#) [58102-G61-06LF](#) [582553-1](#) [0009485154](#) [009176003701906](#) [0050291907](#) [LY20-4P-DT1-P1E-BR](#) [02.125.8002.8](#)  
[609-3404](#) [61062-3](#) [622-0430](#) [622-3653LF](#) [63453-116](#) [636-1030](#) [636-1427](#) [636-3427](#) [636-4007](#) [641938-9](#) [641991-4](#) [644827-2](#) [65817-010LF](#)  
[65817-015LF](#) [65863-015LF](#) [66207-023LF](#) [67095-007LF](#) [67601157](#) [68648-049](#) [70.362.1628.0](#) [70-4210](#) [70-4226B](#) [70-4853B](#) [707-5020](#) [707-](#)  
[5028](#) [71.350.2428.0](#) [71918-208LF](#) [71961-016LF](#) [733-134](#) [733-162](#) [754199-000](#) [760-3052](#) [787-8014-00](#) [79531-3000](#) [FCN-360C032-B](#) [FCN-](#)  
[367T-T012/H](#) [FCN-723D010/2](#) [80.063.4001.1](#) [800-90-001-10-001000](#) [800-90-010-10-002000](#) [801-43-002-10-013000](#) [801-43-006-10-002000](#)