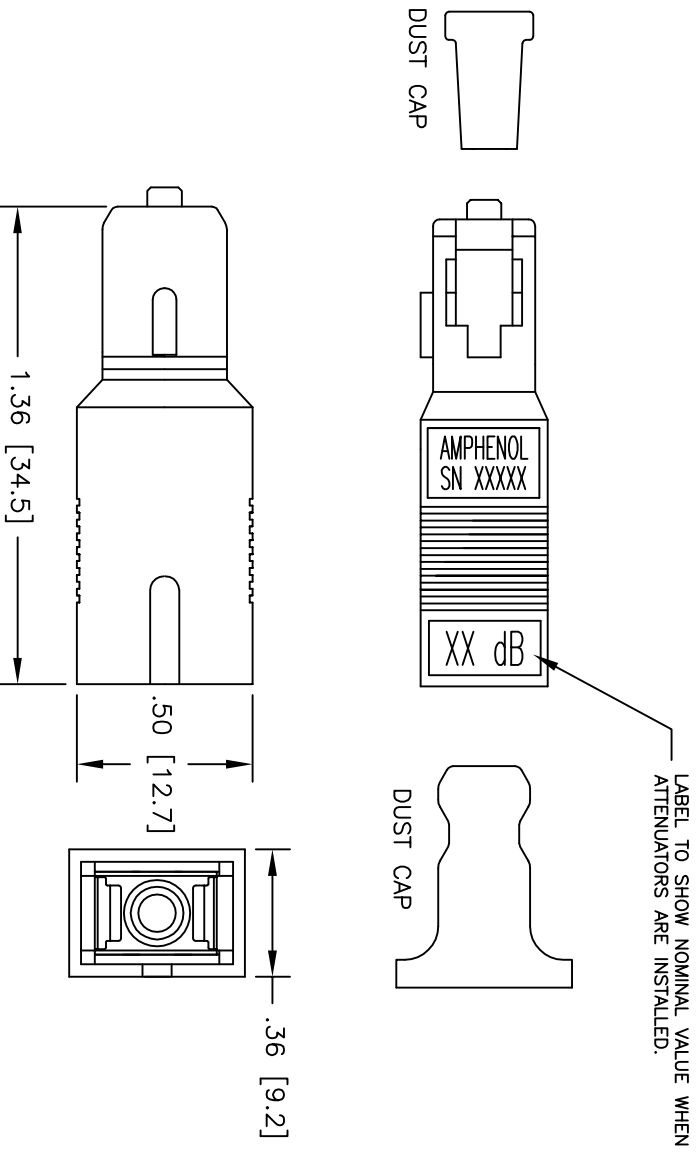


1	2	3	4	5	6
AMPHENOL PART NUMBER	ATTENUATION (NOTE 2)				
954-130-5101	1.0 ± 0.5 dB				
954-130-5102	2.0 ± 0.5 dB				
954-130-5103	3.0 ± 0.5 dB				
954-130-5104	4.0 ± 0.5 dB				
954-130-5105	5.0 ± 0.5 dB				
954-130-5106	6.0 ± 0.6 dB				
954-130-5107	7.0 ± 0.7 dB				
954-130-5108	8.0 ± 0.8 dB				
954-130-5109	9.0 ± 0.9 dB				
954-130-5110	10.0 ± 1.0 dB				
954-130-5111	11.0 ± 1.1 dB				
954-130-5112	12.0 ± 1.2 dB				
954-130-5113	13.0 ± 1.3 dB				
954-130-5114	14.0 ± 1.4 dB				
954-130-5115	15.0 ± 1.5 dB				
954-130-5116	16.0 ± 1.6 dB				
954-130-5117	17.0 ± 1.7 dB				
954-130-5118	18.0 ± 1.8 dB				
954-130-5119	19.0 ± 1.9 dB				
954-130-5120	20.0 ± 2.0 dB				

NOTES:

1. ALL DIMENSIONS ARE SHOWN IN INCHES[MILLIMETERS].
2. OPERATING WAVELENGTH: 1260-1360 AND 1430-1580 nm.  
ATTENUATION VALUES FOR DEVICES WHEN USED BETWEEN PATCH CORDS. WHEN USED AT A DETECTOR INTERFACE, CONSULT THE FACTORY FOR ATTENUATION VALUES.
3. BACKREFLECTION = <-55dB



LABEL TO SHOW NOMINAL VALUE WHEN ATTENUATORS ARE INSTALLED.

UNLESS OTHERWISE SPECIFIED		NOTE: - These drawings, specifications, & other data (1) are owned by Amphenol Corporation. All rights reserved. No part of this drawing may be reproduced or transmitted in any form or by any means, electronic or mechanical, including photocopying, recording, or by any information storage and retrieval system, without the prior written permission of Amphenol Corporation. (2) All dimensions are in inches unless otherwise noted. (3) All dimensions are nominal unless otherwise specified. (4) All dimensions are to be controlled by statistical process control (SPC) unless otherwise specified. (5) All dimensions are to be controlled by statistical process control (SPC) unless otherwise specified. (6) All dimensions are to be controlled by statistical process control (SPC) unless otherwise specified.		B		CHANGE OPERATING WAVELENGTH. UPDATE DRAWING FORMAT.		TLW		07/09/07		E07-0219	
TOLERANCE TO BE		ANGULAR		REV.		FIRST ISSUE		DSR		2/2/01		----	
LINEAR		X.X ± .1		X ± .1		DRN: T. BARKER		DATE:		2/2/01		TITLE:	
X.XX ± 0.01		X.X ± .30°		MATT:		CNK:		DATE:				ATTENUATOR, SC/UJPC PLUG STYLE	
X.XXX ± 0.003		X.XX ± .15°		FINISH:		APVD:		DATE:				Amphenol FIBER OPTIC PRODUCTS 1952A Ohio Street, Lima, OH 45032, USA	
BREAK ALL SHARP EDGES AND REMOVE ALL BURRS		REF.:		THIRD ANGLE PROJECTION		SCALE:		NTS		PART No:		954-130-51XX	
DO NOT SCALE		SCALE:		NTS		DATE:		954-130-51XX		SIZE:		B	
DIMENSIONS IN INCHES		SCALE:		NTS		DATE:		954-130-51XX		DRAWING NO.:		954-130-51XX	
DIMENSIONS IN INCHES		SCALE:		NTS		DATE:		954-130-51XX		DRAWING NO.:		954-130-51XX	

1 2 3 4 5 6

F E D C B A

**Amphenol**  
FIBER OPTIC PRODUCTS  
1952A Ohio Street, Lima, OH 45032, USA

SHEET 1 OF 1

## X-ON Electronics

Largest Supplier of Electrical and Electronic Components

*Click to view similar products for [Fibre Optic Connectors](#) category:*

*Click to view products by [Amphenol](#) manufacturer:*

Other Similar products are found below :

[0004700001](#) [6100-R](#) [6313](#) [F709722200](#) [F709730000](#) [F718183204](#) [F727403500](#) [F727752800](#) [8119](#) [9440F20-27S-190](#) [944-120-6001](#)  
[9441F10SL-3S](#) [9444W28-21S](#) [9444W36-10S](#) [9446W20-16S](#) [953-101-5310-P](#) [954-101-57202B](#) [A0270169](#) [12-9122](#) [12-5702](#) [AX101713](#)  
[AX102420](#) [AX103923](#) [AX104024](#) [AX104193](#) [AX104230](#) [AX104562](#) [AX105203-B25](#) [AX105205-S1](#) [EHSC2M](#) [17-300800](#) [181-011-126](#)  
[181-011-S](#) [181-057-126](#) [NKSOPBUY](#) [20500002116](#) [2064996-1](#) [20800001065](#) [2170](#) [9132](#) [2612](#) [2620](#) [9291](#) [9440F16-10S](#) [9440F20-18S](#)  
[9444W32-73S](#) [9446F16-10S-190](#) [953-106-50231](#) [953-120-5003](#) [955-120-5110](#)