

PT/MPO Harsh Environment Assemblies

The Industrial PT/MPO leverages the proven MIL spec 26482 connector system to provide an environmental seal and mechanical protection for a multi-fiber MPO style connector.

The metal bayonet connector system is quick to deploy, requiring only ¼ turn. It is a metal construction and has a positive latching system (both audible and visual).

The PT/MPO system uses a feed-thru style receptacle allowing industry standard MPO patch cables to be used inside the enclosure allowing simple connection to QSFP or can be used with a breakout cable for discrete or SFP connections.

Amphenol's PT/MPO connectors are exceptionally suited for WiMax, LTE, and other wireless and base station applications requiring more than 2 fibers. The PT/MPO is capable of performing in even the toughest environments.



Features/ Benefits

- Complies to applicable sections of MIL 26482
- Complies to TIA/EIA 604-5 and IEC61754-7
- Meets IP67 dust and water ingress specifications
- >100lbf axial cable retention
- Available in singlemode and multimode versions
- Fiber counts 4, 8, 12, and 24
- Submersible to depths of 20 feet (intermittent exposure)
- Excellent vibration characteristics
- Receptacle accepts standard MPO cable assemblies for internal connection

Common Specifications

Insertion Loss:

Multimode	0.25dB Typ. <0.75dB Max
Singlemode	0.38dB Typ. <0.75dB Max

Return Loss:

Multimode	≤ -25dB
Singlemode	≤ -55dB

Operating Temperature: -40 to +85°C

Durability: >200 cycles

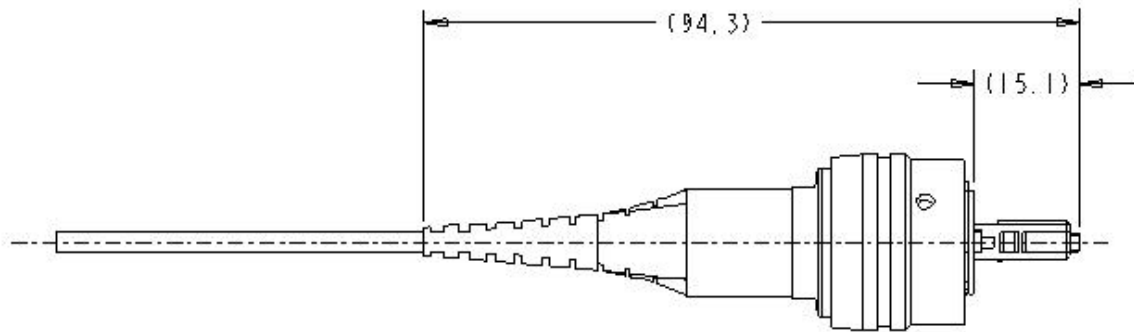
Amphenol
FIBER OPTIC PRODUCTS

www.amphenol-fiberoptics.com
sales@amphenol-fiberoptics.com
Customer Service 800-944-6446

AARC Harsh Environment Interconnect

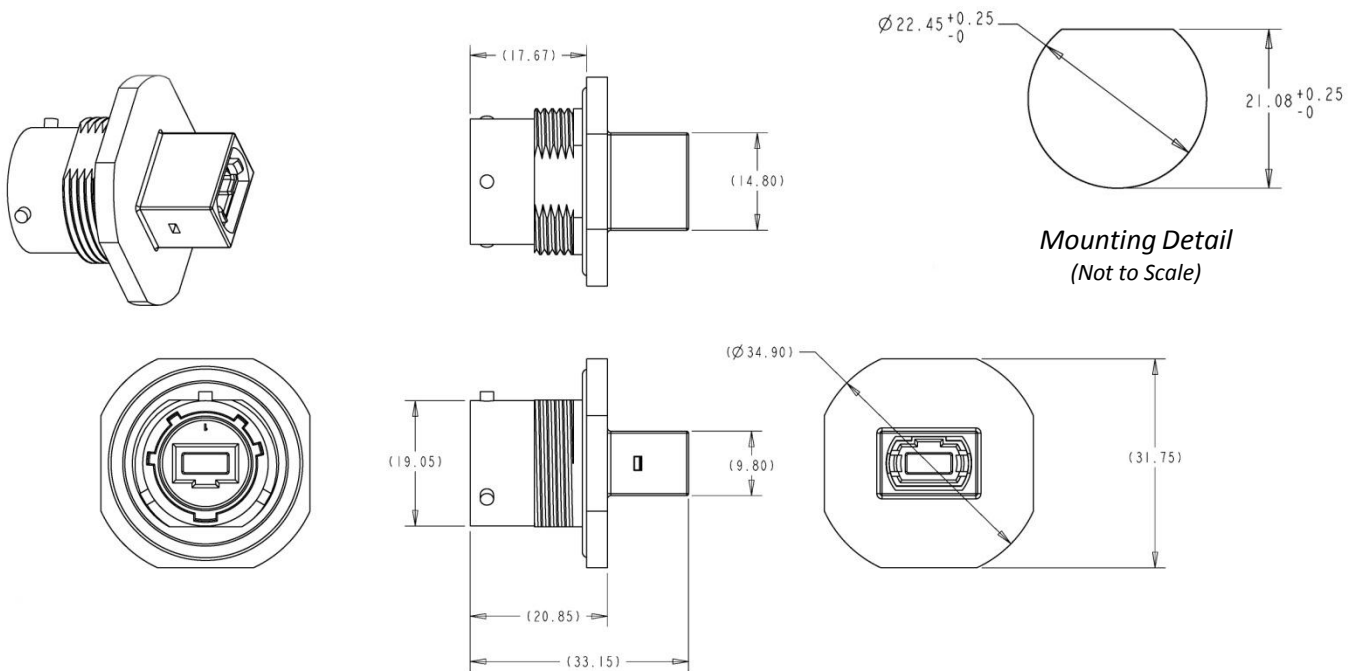
PT/MPO Plug Assembly

Shown Here: PT/MPO Pigtail Assembly with 4 fiber outdoor ribbon cable



PT/MPO Rear Mount Receptacle 955-220-5001

All dimensions in Millimeters



X-ON Electronics

Largest Supplier of Electrical and Electronic Components

Click to view similar products for [Fibre Optic Connectors](#) category:

Click to view products by [Amphenol](#) manufacturer:

Other Similar products are found below :

[0004700001](#) [6100-R](#) [6313](#) [F709034706](#) [F709730000](#) [F718183204](#) [F727403500](#) [F727752800](#) [8119](#) [944-120-6001](#) [953-101-5310-P](#) [954-101-57202B](#) [A0270169](#) [12-9122](#) [12-5702](#) [AX101713](#) [AX102420](#) [AX103923](#) [AX104024](#) [AX104193](#) [AX104230](#) [AX104498](#) [AX104562](#) [AX105203-B25](#) [AX105205-S1](#) [EHSC2M](#) [181-011-126](#) [181-011-S](#) [181-057-126](#) [HRFC-R2\(40\)](#) [NKSOPBUY](#) [20500002116](#) [2064996-1](#) [20800001065](#) [2170](#) [9132](#) [2612](#) [2620](#) [9291](#) [9440F16-10S](#) [9440F20-18S](#) [9446F16-10S-190](#) [953-106-50231](#) [953-120-5003](#) [955-120-5110](#) [1757711-1](#) [180-122NFS7-11-4N](#) [181-001-127](#) [181-011-K](#) [181-039-1260C](#)