

PRODUCT NUMBER
95615-XXXXLF

PLATING

0 = 0.20µm GOLD/GXT ON CONTACT AREA
 1 = 0.76µm GOLD/GXT ON CONTACT AREA
 2µm MIN MATTE TIN ON TAIL

3 = 0.58µm GOLD/GXT ON CONTACT AREA
 2µm MIN MATTE TIN ON TAIL

5 = 0.58µm GXT FULL PLATED

6 = 0.76µm GXT FULL PLATED

7 = 0.76µm GOLD/GXT FULL PLATED

9 = 0.20µm GOLD/GXT FULL PLATED

1.27µm NI MIN UNDERPLATING

TOTAL NB OF POSITIONS, 08 TO 34

PACKAGING, SEE NOTE 5

ROHS COMPATIBLE, SEE NOTE 6

NOTES:

1. MATERIAL HOUSING: HIGH TEMP. THERMOPLASTIC

UL 94V-0, COLOR CREAM

2. MATERIAL TERMINAL: COPPER ALLOY

3. TO DETERMINE DIMENSIONS:

N = NUMBER OF POSITIONS PER ROW

4. 7N MIN. PIN RETENTION IN EITHER DIRECTION.

5. PACKAGING:

= POLYBAGS

T = TUBE AVAILABILITY : FROM 2x5 UP TO 2x 17

B = TUBE WITH PICK UP CAP AVAILABLE FROM 2x5 UP TO 2x 17

K = TAPE AND REEL WITHOUT PICK-UP CAP, AS AVAILABLE

A = TAPE AND REEL WITH LARGE PICK-UP CAP, AS AVAILABLE

TR = TAPE AND REEL WITH PICK-UP CAP, AS AVAILABLE.

6. ROHS COMPATIBLE PRODUCT SPECIFICATIONS

o - PLATING:

- "LF" MEANS THE PRODUCT IS LEAD-FREE,

2µm MINIMUM MATTE TIN OVER 1.27µm

MINIMUM NICKEL UNDERPLATE.

b - MANUFACTURING PROCESS COMPATIBILITY

- THE HOUSING WILL WITHSTAND EXPOSURE TO

260°C PEAK TEMPERATURE FOR 30 SECONDS

MAX IN A CONNECTION, INFRA-RED OR VAPOR

PHASE OR REFLOW OVEN.

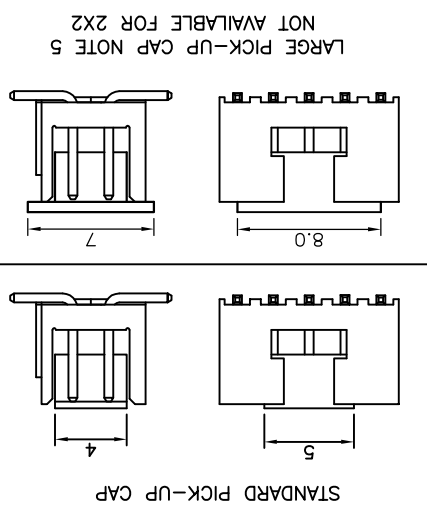
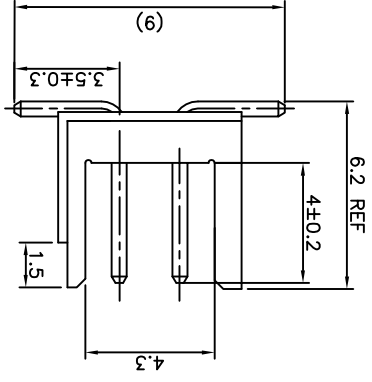
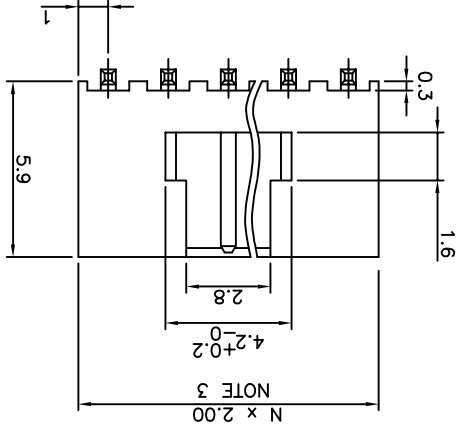
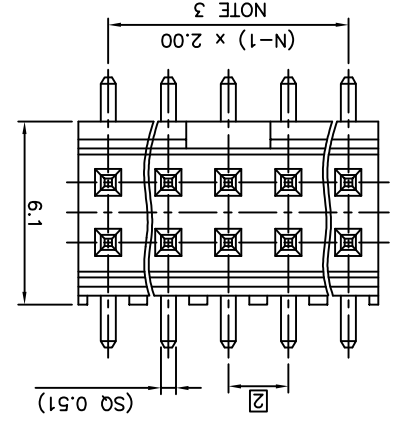
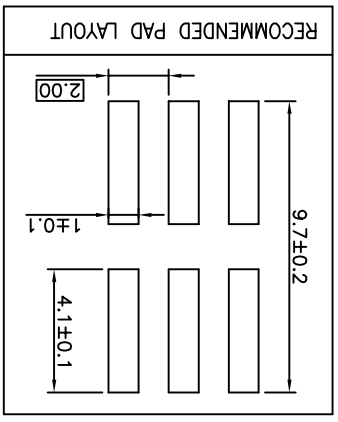
c - LABELLING:

- MEETS PACKAGING SPECS AS PER GS-14-920

- THIS PRODUCT MEETS EUROPEAN DIRECTIVES

AND OTHER COUNTRY REGULATIONS AS DESCRIBED

IN GS-47-0004.



mat'l. code		ISO 1302	surface	tolerance	projection	product family	MINITEK HEADER
SEE NOTES		ISO 1302	ISO 1302	ISO 406	ISO 101	product family	MINITEK HEADER
lfr	ecn no	dr	date	tolerances unless otherwise specified			
T	F-23051	AMA	16.01.15	angle	linear	mm	
				.XX ±0.13	.XX ±0.05	scale 7:1	
M	F07-019	JLCO	07.09.05	±Z		FCI	
N	F08-014	ELA	08.04.15	dr	JLCORDIER	97.07.26	95615
P	F11-007	JCO	11.06.17	engr	JLCOMPAGNON	97.07.26	dwg no
R	F11-033	JCO	11.12.06	chr	JLCORDIER	97.07.26	sheet 1 of 1 size
S	B-19190	LMU	14.10.24	qppd	JLCOMPAGNON	97.07.26	A3
sheet	revision	sheet	revision	index	sheet	revision	index

SHR HEADER

2.00mm SMT

95615

CUSTOMER Drawing

X-ON Electronics

Largest Supplier of Electrical and Electronic Components

Click to view similar products for [Headers & Wire Housings](#) category:

Click to view products by [Amphenol](#) manufacturer:

Other Similar products are found below :

[95000-104TRLF](#) [10135584-644402LF](#) [DF62W-EP2022PCA](#) [95000-106TRLF](#) [DF62W-2022SCA](#) [DF62W-EP2022PC](#) [2203348](#) [DF62W-2022SC](#) [1084018](#) [1029039](#) [1084017](#) [802-10-012-10-002000](#) [1112640](#) [1112639](#) [000-34000](#) [0008550134](#) [0009482033](#) [0009507031](#) [57102-F02-18ULF](#) [57102-S06-03LF](#) [57202-S52-04LF](#) [PCN6-15S-2.5E](#) [0039019024](#) [58102-G61-06LF](#) [582553-1](#) [0009485154](#) [0009508121](#) [009176003701906](#) [0022285053](#) [0050291907](#) [018731A](#) [LY20-4P-DT1-P1E-BR](#) [02.125.8002.8](#) [60101931](#) [60598-1 \(Cut Strip\)](#) [M1625-3R/100](#) [61062-3](#) [61082-181009](#) [CSU011177004](#) [636-1427](#) [638009-1](#) [641938-9](#) [641991-4](#) [644168-1](#) [644827-2](#) [647662-1](#) [65039-019ELF](#) [65692-001LF](#) [65781-018](#) [65781-047](#)