

PRODUCT NUMBER
95615-XXXXLF

PLATING

0 = 0.20µm GOLD/GXT ON CONTACT AREA
 1 = 0.76µm GOLD/GXT ON CONTACT AREA
 2µm MIN MATTE TIN ON TAIL

3 = 0.58µm GOLD/GXT ON CONTACT AREA
 2µm MIN MATTE TIN ON TAIL

5 = 0.58µm GXT FULL PLATED

6 = 0.76µm GXT FULL PLATED

7 = 0.76µm GOLD/GXT FULL PLATED

9 = 0.20µm GOLD/GXT FULL PLATED

1.27µm NI MIN UNDERPLATING

ROHS COMPATIBLE, SEE NOTE 6

PACKAGING, SEE NOTE 5

TOTAL NB OF POSITIONS, 08 TO 34

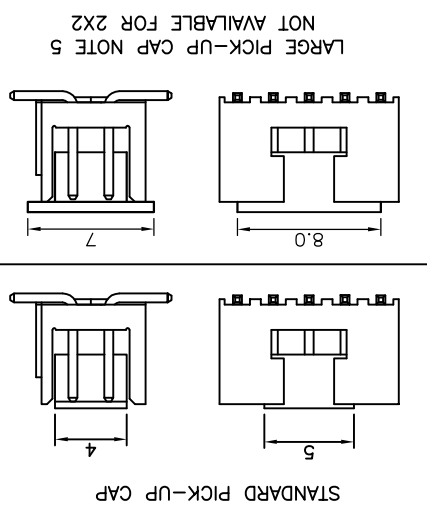
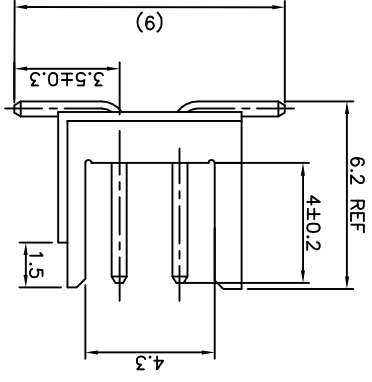
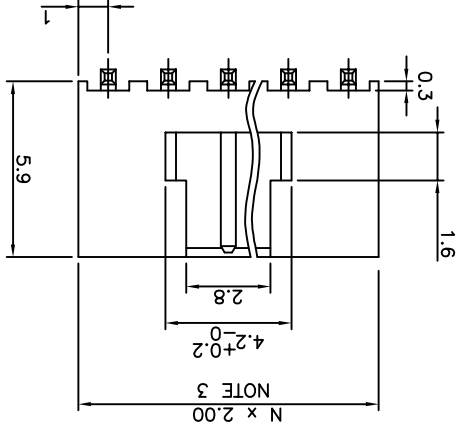
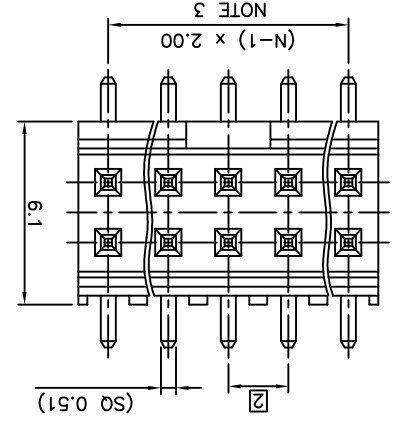
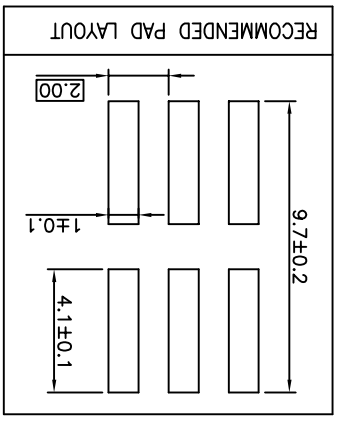
NOTES:

1. MATERIAL HOUSING: HIGH TEMP. THERMOPLASTIC UL 94V-0, COLOR CREAM
2. MATERIAL TERMINAL: COPPER ALLOY
3. TO DETERMINE DIMENSIONS: N = NUMBER OF POSITIONS PER ROW
4. 7N MIN. PIN RETENTION IN EITHER DIRECTION.
5. PACKAGING:

- = POLYBAGS
- T = TUBE AVAILABILITY : FROM 2x5 UP TO 2x 17
- B = TUBE WITH PICK UP CAP AVAILABLE FROM 2x5 UP TO 2x 17
- K = TAPE AND REEL WITHOUT PICK-UP CAP, AS AVAILABLE
- A = TAPE AND REEL WITH LARGE PICK-UP CAP, AS AVAILABLE
- TR = TAPE AND REEL WITH PICK-UP CAP, AS AVAILABLE.

6. ROHS COMPATIBLE PRODUCT SPECIFICATIONS

- o - PLATING:
- "LF" MEANS THE PRODUCT IS LEAD-FREE, 2µm MINIMUM MATTE TIN OVER 1.27µm MINIMUM NICKEL UNDERPLATE.
- b - MANUFACTURING PROCESS COMPATIBILITY
- THE HOUSING WILL WITHSTAND EXPOSURE TO 260°C PEAK TEMPERATURE FOR 30 SECONDS MAX IN A CONNECTION, INFRA-RED OR VAPOR PHASE OR REFLOW OVEN.
- c - LABELLING:
- MEETS PACKAGING SPECS AS PER GS-14-920
- THIS PRODUCT MEETS EUROPEAN DIRECTIVES AND OTHER COUNTRY REGULATIONS AS DESCRIBED IN GS-47-0004.



mat'l. code		surface	ISO 1302	tolerance	ISO 406 ISO 101	projection	product family	MINITEK HEADER	title
SEE NOTES		ISO 1302	tolerance unless otherwise specified	ISO 406 ISO 101	projection	product family	MINITEK HEADER	title	
T	F-23051	AMA	16.01.15	angle	linear	mm			
M	F07-019	JL CO	07.09.05	±Z	.XXX ±0.05	scale	7:1		
N	F08-014	ELA	08.04.15	dr	JL CORDIER	97.07.26			
P	F11-007	JCO	11.06.17	engr	JL COMPAGNON	97.07.26			
R	F11-033	JCO	11.12.06	chr	JL CORDIER	97.07.26			
S	B-19190	LMU	14.10.24	appd	JL COMPAGNON	97.07.26			
sheet	revision	index	sheet						

SHR HEADER
2.00mm SMT

95615
sheet 1 of 1 size A3

CUSTOMER Drawing

product family

MINITEK HEADER

title

projection

product family

MINITEK HEADER

title

product family

MINITEK HEADER

title

product family

MINITEK HEADER

title

product family

MINITEK HEADER

title

product family

MINITEK HEADER

title

6
5
4
3
2
1
A
B
C
D

X-ON Electronics

Largest Supplier of Electrical and Electronic Components

Click to view similar products for [Headers & Wire Housings](#) category:

Click to view products by [Amphenol](#) manufacturer:

Other Similar products are found below :

[95000-104TRLF](#) [10135584-644402LF](#) [DF62W-EP2022PCA](#) [95000-106TRLF](#) [DF62W-2022SCA](#) [DF62W-EP2022PC](#) [2203348](#) [DF62W-2022SC](#) [1084018](#) [1029039](#) [1084017](#) [802-10-012-10-002000](#) [1112640](#) [1112639](#) [891-007-9SS-BST1T](#) [000-34000](#) [0008550134](#) [0009482033](#) [0009507031](#) [57102-F02-18ULF](#) [57102-S06-03LF](#) [57202-S52-04LF](#) [PCN6-15S-2.5E](#) [0039019024](#) [58102-G61-06LF](#) [582553-1](#) [0009485154](#) [0009508121](#) [009176003701906](#) [0022285053](#) [0050291907](#) [018731A](#) [LY20-4P-DT1-P1E-BR](#) [02.125.8002.8](#) [60101931](#) [60598-1 \(Cut Strip\)](#) [M1625-3R/100](#) [61062-3](#) [61082-181009](#) [CSU011177004](#) [636-1427](#) [638009-1](#) [641938-9](#) [641991-4](#) [644168-1](#) [644827-2](#) [647662-1](#) [65039-019ELF](#) [65692-001LF](#) [65781-018](#)