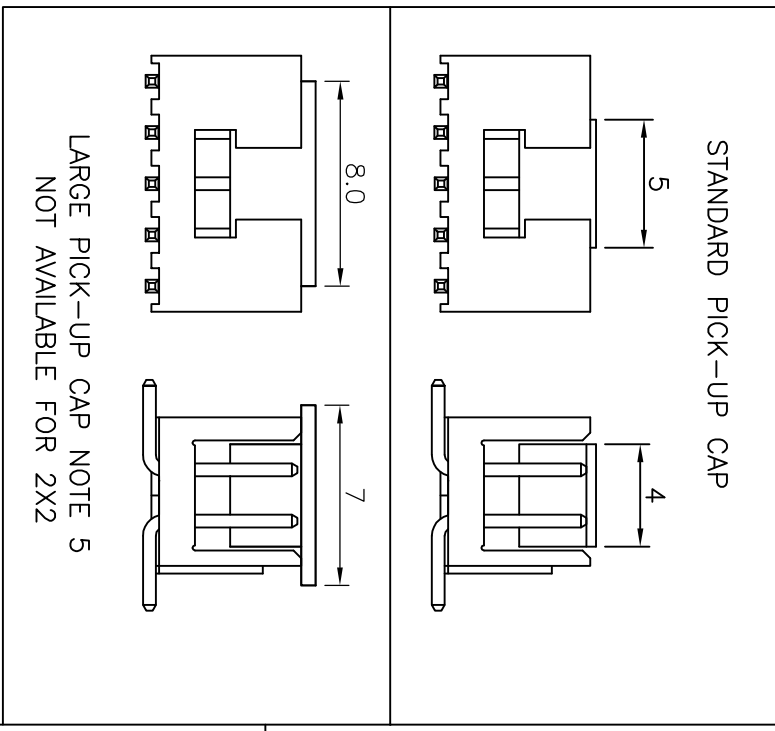
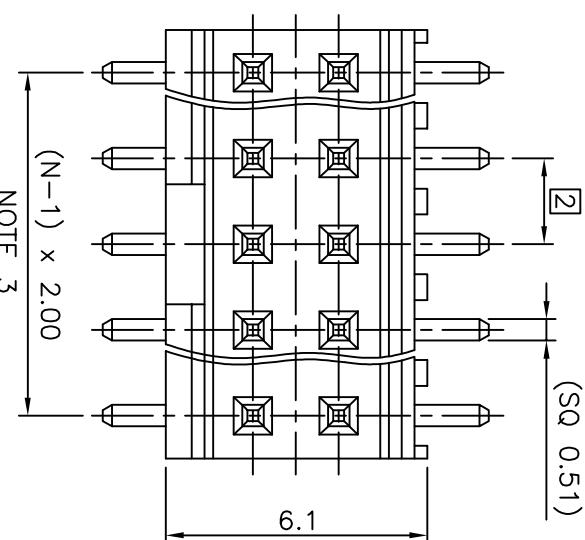


PRODUCT NUMBER
95615-XXXXLF

PLATING _____ ROHS COMPATIBLE, SEE NOTE 6
PACKAGING, SEE NOTE 5
TOTAL NB OF POSITIONS, 08 TO 34

- 0 = 0.20µm GOLD/GXT ON CONTACT AREA
2µm MIN MATTE TIN ON TAIL
 - 1 = 0.76µm GOLD/GXT ON CONTACT AREA
2µm MIN MATTE TIN ON TAIL
 - 3 = 0.38µm GOLD/GXT ON CONTACT AREA
2µm MIN MATTE TIN ON TAIL
 - 5 = 0.38µm GXT FULL PLATED
 - 6 = 0.76µm GXT FULL PLATED
 - 7 = 0.76µm GOLD/GXT FULL PLATED
 - 9 = 0.20µm GOLD/GXT FULL PLATED
- 1.27µm Ni MIN UNDERPLATING

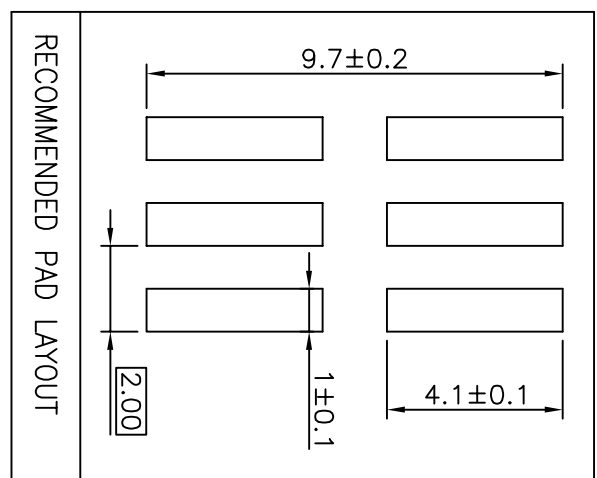
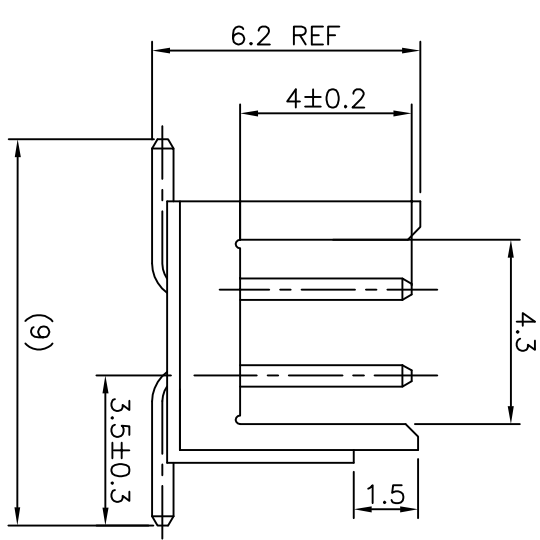
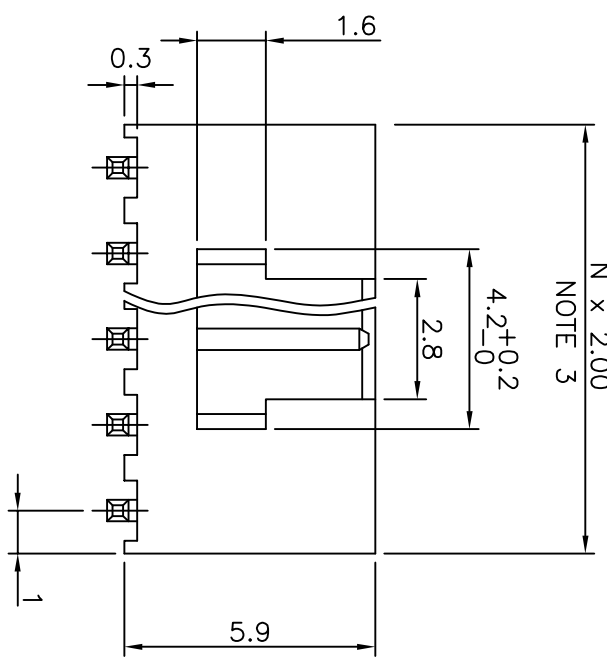


NOTES:

1. MATERIAL HOUSING: HIGH TEMP. THERMOPLASTIC
UL 94V-0, COLOR CREAM
2. MATERIAL TERMINAL: COPPER ALLOY
3. TO DETERMINE DIMENSIONS:
N = NUMBER OF POSITIONS PER ROW
4. 7N MIN. PIN RETENTION IN EITHER DIRECTION.
5. PACKAGING:
= POLYBAGS
T = TUBE AVAILABILITY : FROM 2x5 UP TO 2x 17
B = TUBE WITH PICK UP CAP AVAILABLE FROM 2x5 UP TO 2x 17
K = TAPE AND REEL WITHOUT PICK-UP CAP, AVAILABLE FROM TA-845
A = TAPE AND REEL WITH LARGE PICK-UP CAP, NOT AVAILABLE FOR 2X2
TR = TAPE AND REEL WITH PICK-UP CAP, AVAILABLE FROM TA-845.

6. ROHS COMPATIBLE PRODUCT SPECIFICATIONS

- a - **PLATING:**
- "LF" MEANS THE PRODUCT IS LEAD-FREE,
2µm MINIMUM MATTE TIN OVER 1.27µm
MINIMUM NICKEL UNDERPLATE.
- b - **MANUFACTURING PROCESS COMPATIBILITY**
- THE HOUSING WILL WITHSTAND EXPOSURE TO
260°C PEAK TEMPERATURE FOR 30 SECONDS
MAX IN A CONVECTION, INFRA-RED OR VAPOR
PHASE OR REFLOW OVEN.
- c - **LABELLING:**
- MEETS PACKAGING SPECS AS PER GS-14-920
- d - THIS PRODUCT MEETS EUROPEAN DIRECTIVES
AND OTHER COUNTRY REGULATIONS AS DESCRIBED
IN GS-47-0004.



mat'l. code		surface		tolerance		projection		product family	
SEE NOTES		ISO 1302	ISO 406	ISO 101	ISO 101	mm		MINITEK HEADER	
ltr	ecn no	dr	date	tolerances unless otherwise specified	linear	angular	scale	title	product family
K	F05-0128	LMU	05.02.21	.X	±0.3	7:1	mm	SHR HEADER	MINITEK HEADER
L	F06-0210	LMU	06.07.05	.XX	±0.13	7:1	mm	2.00mm SMT	MINITEK HEADER
M	F07-0191	JCO	07.09.05	±2°	.XXX	±0.05	7:1	95615	MINITEK HEADER
N	F08-0145	ELA	08.04.15	±2°	.XXX	±0.05	7:1	Sheet 1 of 1	MINITEK HEADER
P	F11-0071	JCO	11.06.17	eng J	J.COMPAGNON	97.07.26	7:1	size	MINITEK HEADER
R	F11-0339	JCO	11.12.06	chr	JL.CORDIER	97.07.26	7:1	A3	MINITEK HEADER
S	B-19190	LMU	14.10.24	dppd	COMPAGNON	97.07.26	7:1	CUSTOMER Drawing	MINITEK HEADER
Sheet index	revision	sheet	sheet						

X-ON Electronics

Largest Supplier of Electrical and Electronic Components

Click to view similar products for [Headers & Wire Housings](#) category:

Click to view products by [Amphenol](#) manufacturer:

Other Similar products are found below :

[892-18-020-10-001101](#) [58102-G61-06LF](#) [582553-1](#) [0009485154](#) [009176003701906](#) [0050291907](#) [LY20-4P-DT1-P1E-BR](#) [02.125.8002.8](#)
[609-3404](#) [61062-3](#) [622-0430](#) [622-3653LF](#) [63453-116](#) [636-1030](#) [636-1427](#) [636-3427](#) [636-4007](#) [641938-9](#) [641991-4](#) [644827-2](#) [65817-010LF](#)
[65817-015LF](#) [65863-015LF](#) [66207-023LF](#) [67095-007LF](#) [67601157](#) [68648-049](#) [70.362.1628.0](#) [70-4210](#) [70-4226B](#) [70-4853B](#) [707-5020](#) [707-5028](#) [71.350.2428.0](#) [71918-208LF](#) [71961-016LF](#) [733-134](#) [733-162](#) [754199-000](#) [760-3052](#) [787-8014-00](#) [79531-3000](#) [FCN-360C032-B](#) [FCN-367T-T012/H](#) [FCN-723D010/2](#) [80.063.4001.1](#) [800-90-001-10-001000](#) [800-90-010-10-002000](#) [801-43-002-10-013000](#) [801-43-006-10-002000](#)