

PRODUCT NUMBER
95615-XXXXLF

PLATING

0 = 0.20µm GOLD/GXT ON CONTACT AREA
1 = 0.76µm GOLD/GXT ON CONTACT AREA
2µm MIN MATTE TIN ON TAIL
3 = 0.58µm GOLD/GXT ON CONTACT AREA
2µm MIN MATTE TIN ON TAIL
5 = 0.58µm GXT FULL PLATED
6 = 0.76µm GXT FULL PLATED
7 = 0.76µm GOLD/GXT FULL PLATED
9 = 0.20µm GOLD/GXT FULL PLATED
1.27µm NI MIN UNDERPLATING

NOTES:

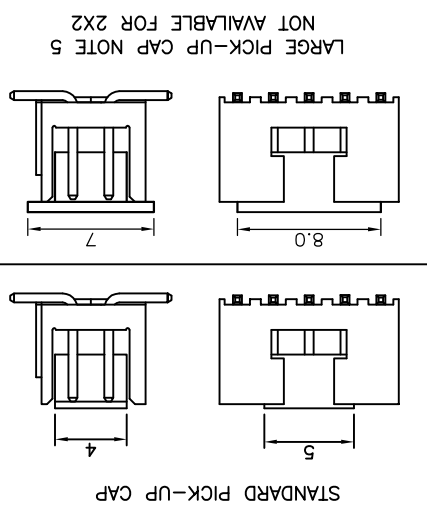
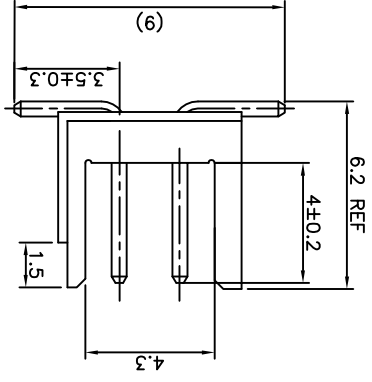
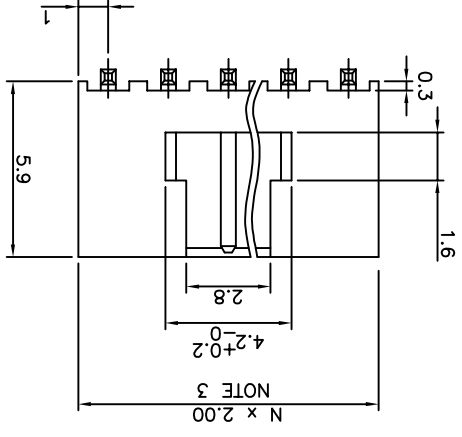
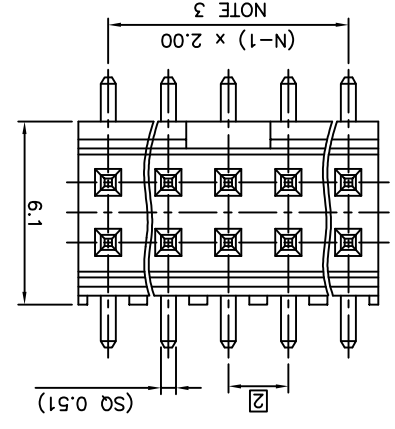
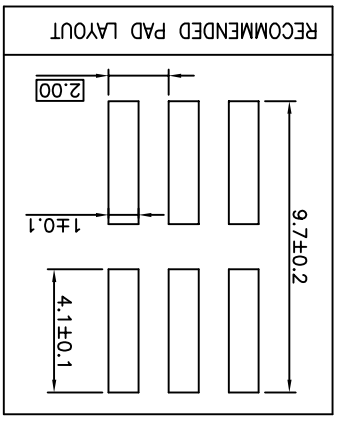
1. MATERIAL HOUSING: HIGH TEMP. THERMOPLASTIC UL 94V-0, COLOR CREAM
2. MATERIAL TERMINAL: COPPER ALLOY
3. TO DETERMINE DIMENSIONS: N = NUMBER OF POSITIONS PER ROW
4. 7N MIN. PIN RETENTION IN EITHER DIRECTION.
5. PACKAGING:

- = POLYBAGS
- T = TUBE AVAILABILITY : FROM 2x5 UP TO 2x 17
- B = TUBE WITH PICK UP CAP AVAILABLE FROM 2x5 UP TO 2x 17
- K = TAPE AND REEL WITHOUT PICK-UP CAP, AS AVAILABLE
- A = TAPE AND REEL WITH LARGE PICK-UP CAP, AS AVAILABLE
- TR = TAPE AND REEL WITH PICK-UP CAP, AS AVAILABLE.

6. ROHS COMPATIBLE PRODUCT SPECIFICATIONS

- o - PLATING:
- "LF" MEANS THE PRODUCT IS LEAD-FREE, 2µm MINIMUM MATTE TIN OVER 1.27µm MINIMUM NICKEL UNDERPLATE.
- b - MANUFACTURING PROCESS COMPATIBILITY
- THE HOUSING WILL WITHSTAND EXPOSURE TO 260°C PEAK TEMPERATURE FOR 30 SECONDS MAX IN A CONNECTION, INFRA-RED OR VAPOR PHASE OR REFLOW OVEN.

- c - LABELLING:
- MEETS PACKAGING SPECS AS PER GS-14-920
- THIS PRODUCT MEETS EUROPEAN DIRECTIVES AND OTHER COUNTRY REGULATIONS AS DESCRIBED IN GS-47-0004.



mat'l. code		surface		tolerance		projection		product family		title	
SEE NOTES		ISO 1302		ISO 406 ISO		ISO 101		MINITEK HEADER		SHR HEADER	
date		dr		dr		date		tolerances unless otherwise specified		mm	
F-23051		AMA		16.01.15		angle		linear		.XX ±0.13	
M		F07-019		JUCO		07.09.05		±Z		.XXX ±0.05	
N		F08-014		ELA		08.04.15		dr		JL.CORDIER	
P		F11-007		JCO		11.06.17		engr		JL.COMPAIGNON	
R		F11-033		JCO		11.12.06		chr		JL.CORDIER	
S		B-19190		LMU		14.10.24		qppd		JL.COMPAIGNON	
sheet revision		sheet		index		sheet		type		CUSTOMER Drawing	
95615		95615		95615		95615		95615		95615	
dwg no		sheet 1 of 1		size		A3		type		CUSTOMER Drawing	

X-ON Electronics

Largest Supplier of Electrical and Electronic Components

Click to view similar products for [Headers & Wire Housings](#) category:

Click to view products by [Amphenol](#) manufacturer:

Other Similar products are found below :

[95000-104TRLF](#) [10135584-644402LF](#) [DF62W-EP2022PCA](#) [95000-106TRLF](#) [DF62W-2022SCA](#) [DF62W-EP2022PC](#) [2203348](#) [DF62W-2022SC](#) [1084018](#) [1029039](#) [1084017](#) [802-10-012-10-002000](#) [1112640](#) [1112639](#) [891-007-9SS-BST1T](#) [000-34000](#) [0008550134](#) [0009482033](#) [0009507031](#) [57102-F02-18ULF](#) [57102-S06-03LF](#) [57202-S52-04LF](#) [PCN6-15S-2.5E](#) [0039019024](#) [58102-G61-06LF](#) [582553-1](#) [0009485154](#) [0009508121](#) [0022285053](#) [0050291907](#) [018731A](#) [LY20-4P-DT1-P1E-BR](#) [02.125.8002.8](#) [60101931](#) [60598-1 \(Cut Strip\)](#) [M1625-3R/100](#) [61062-3](#) [61082-181009](#) [CSU011177004](#) [636-1427](#) [638009-1](#) [641938-9](#) [641991-4](#) [644168-1](#) [644827-2](#) [647662-1](#) [65039-019ELF](#) [65692-001LF](#) [65781-018](#) [65781-047](#)