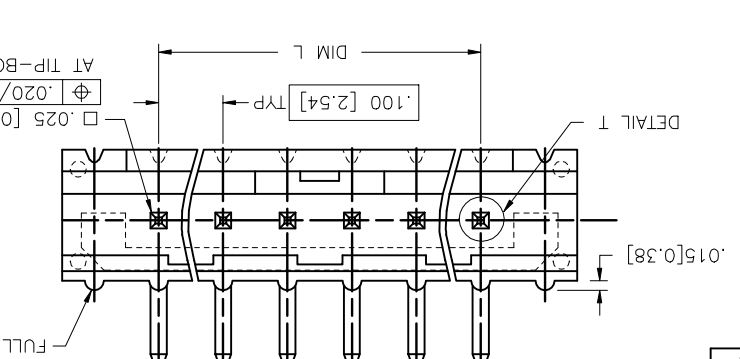
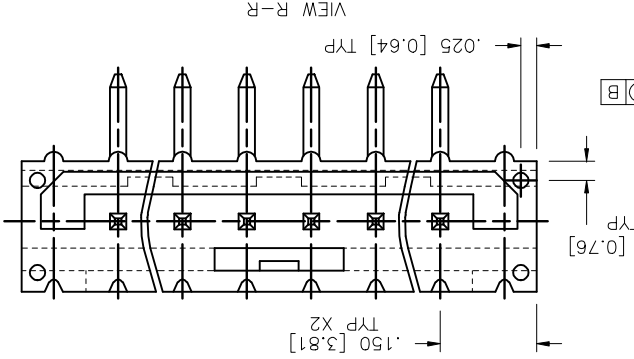
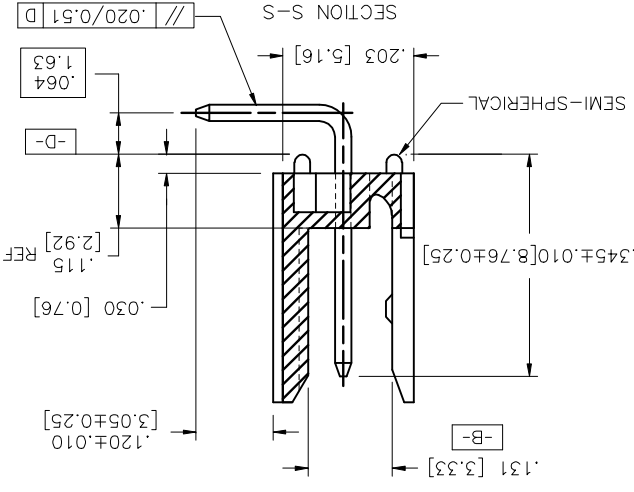
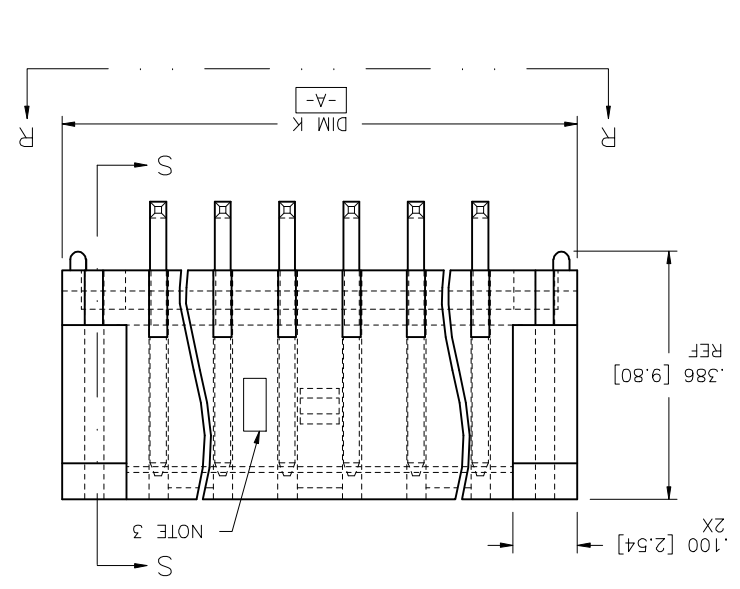
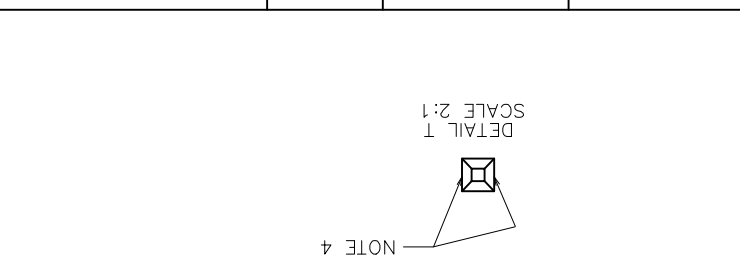
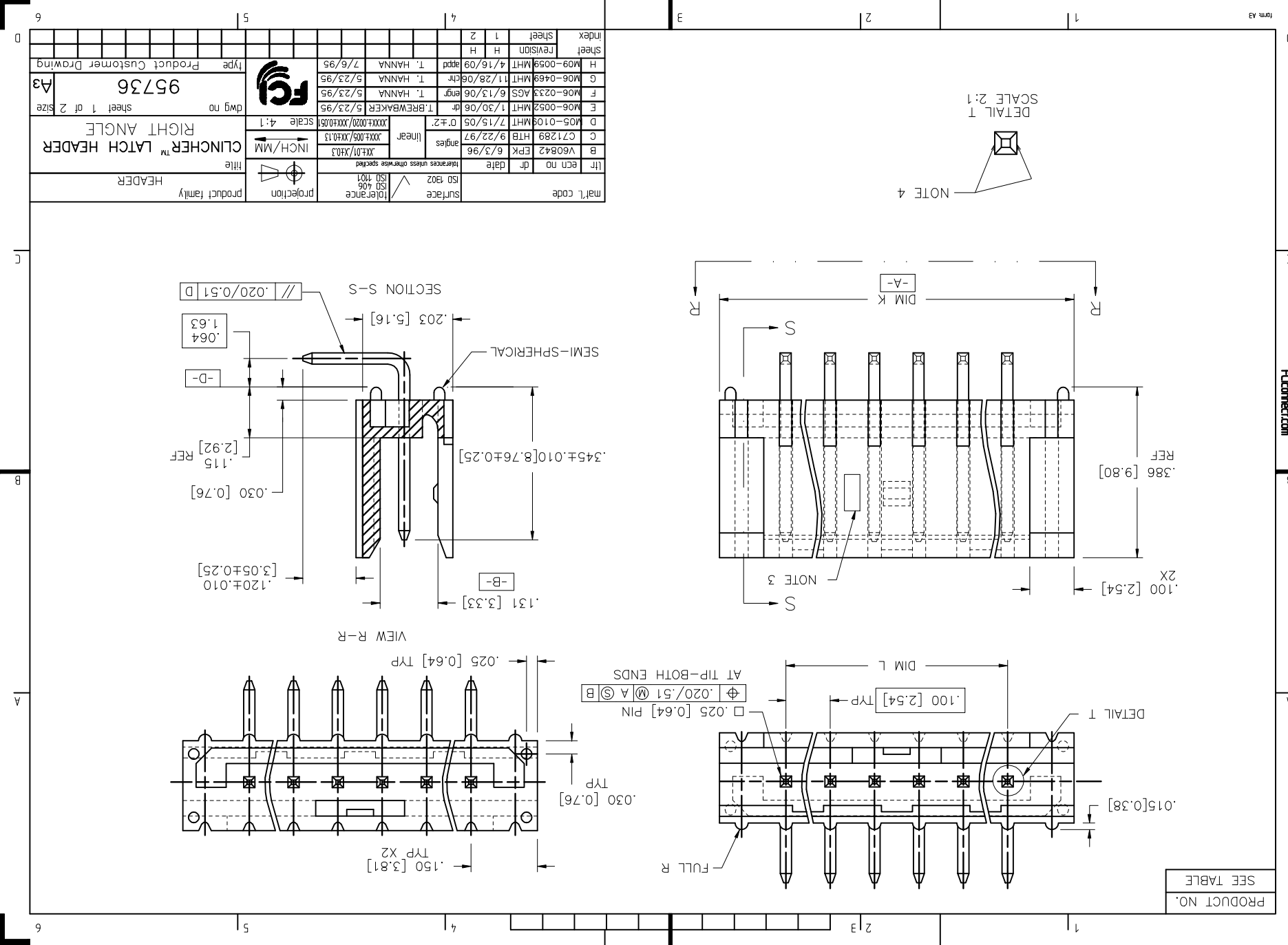


mat'l code	surface	ISO 1002	ISO 1001	ISO 1006
projection	projection	ISO 1002	ISO 1001	ISO 1006
product family	product family	ISO 1002	ISO 1001	ISO 1006
HEADER	HEADER	ISO 1002	ISO 1001	ISO 1006
title	title	ISO 1002	ISO 1001	ISO 1006
CLINCHER™ LATCH HEADER	CLINCHER™ LATCH HEADER	ISO 1002	ISO 1001	ISO 1006
RIGHT ANGLE	RIGHT ANGLE	ISO 1002	ISO 1001	ISO 1006
sheet 1 of 2 size	sheet 1 of 2 size	ISO 1002	ISO 1001	ISO 1006
95736	95736	ISO 1002	ISO 1001	ISO 1006
Product Customer Drawing	Product Customer Drawing	ISO 1002	ISO 1001	ISO 1006
type	type	ISO 1002	ISO 1001	ISO 1006
M09-0059	M09-0059	ISO 1002	ISO 1001	ISO 1006
revision	revision	ISO 1002	ISO 1001	ISO 1006
H H	H H	ISO 1002	ISO 1001	ISO 1006
sheet	sheet	ISO 1002	ISO 1001	ISO 1006
1 2	1 2	ISO 1002	ISO 1001	ISO 1006
index	index	ISO 1002	ISO 1001	ISO 1006



PRODUCT NO. SEE TABLE



PRODUCT NO.	NOTE 5	POSITIONS		ENGLISH		METRIC		ENGLISH		METRIC	
		NO. OF	DIM K	DIM K	DIM L	DIM K	DIM L	DIM K	DIM L		
95736-X02	1 X 2	0.400	10.16	0.100	2.54	-	-	-	-	-	-
95736-X03	1 X 3	0.500	12.70	0.200	5.08	-	-	-	-	-	-
95736-X04	1 X 4	0.600	15.24	0.300	7.62	-	-	-	-	-	-
95736-X05	1 X 5	0.700	17.78	0.400	10.16	-	-	-	-	-	-
95736-X06	1 X 6	0.800	20.32	0.500	12.70	-	-	-	-	-	-
95736-X07	1 X 7	0.900	22.86	0.600	15.24	-	-	-	-	-	-
95736-X08	1 X 8	1.000	25.40	0.700	17.78	-	-	-	-	-	-
95736-X09	1 X 9	1.100	27.94	0.800	20.32	-	-	-	-	-	-
95736-X10	1 X 10	1.200	30.48	0.900	22.86	-	-	-	-	-	-
95736-X11	1 X 11	1.300	33.02	1.000	25.40	-	-	-	-	-	-
95736-X12	1 X 12	1.400	35.56	1.100	27.94	-	-	-	-	-	-
95736-X13	1 X 13	1.500	38.10	1.200	30.48	-	-	-	-	-	-
95736-X14	1 X 14	1.600	40.64	1.300	33.02	-	-	-	-	-	-
95736-X15	1 X 15	1.700	43.18	1.400	35.56	-	-	-	-	-	-
95736-X16	1 X 16	1.800	45.72	1.500	38.10	-	-	-	-	-	-

NOTE
 ① MOLDING MATERIAL: HIGH TEMPERATURE PLASTIC
 FLAME RETARDENT PER UL-94V-0. COLOR: NATURAL

② PIN MATERIAL: 3/4 HD PHOS. BRONZE

③ LOGO TO BE LOCATED APPROX. AS SHOWN.

④ TWO NON-CRITICAL SIDES OF PIN TIP NOT PLATED,

BOTH ENDS.

⑤ FOR LEAD FREE OPTION ADD "LF" IN THE END OF

THE EXISTING PART NUMBERS.

⑥ IF "LF" P/N THE PRODUCT MEETS EUROPEAN UNION DIRECTIVES

AND OTHER COUNTRY REGULATION AS DESCRIBED IN GS-22-008.

⑦ THE HOUSING WILL WITHSTAND EXPOSURE TO 260°C PEAK

TEMPERATURE FOR 20-30 SECONDS IN A CONNECTION,

INFRARED OR VAPOR PHASE REFLOW OVEN. SEE APPLICATION

NOTES/PROCEDURES IF THEY ARE AVAILABLE

OR THE HOUSING WILL WITHSTAND EXPOSURE TO 260°C PEAK

TEMPERATURE FOR 15 SECONDS IN A WAVE SOLDER APPLICATION

NOTES/PROCEDURES IF THEY ARE AVAILABLE.

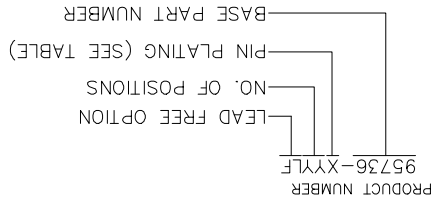
⑧ MAY BE EITHER GOLD OR EXT PLATED AT THE MANUFACTURER'S CHOICE

"THIS PRODUCT HAS 100% TIN PLATING IN THE INTERFACE AND

HAS NOT BEEN TESTED FOR WHISKER GROWTH IN ALL

INTERCONNECT ENVIRONMENTS."

DASH NO	OVERPLATING	UNDERPLATING
-1YY	30u"/.76u MIN (SEE NOTE 8)	50u"/1.27u MIN NI
-1YYLF	30u"/.76u MIN (SEE NOTE 8)	50u"/1.27u MIN NI
-4YY	100u"/2.54u MIN Sn (NOTE 9)	50u"/1.27u MIN NI
-4YYLF	100u"/2.54u MIN Sn (NOTE 9)	50u"/1.27u MIN NI



mat'l. code	ISO 1302	ISO 1406	ISO 1407	surface	tolerance	projection	product family	HEADER
ltf	ecn no	df	date	tolerances unless otherwise specified	XXFD/XXF3	INCH/MM	title	CLINCHER™ LATCH HEADER
angles	linear	0±.2	scale	XXXXX.0020/XXXXX.005	4:1	INCH/MM	dwg no	95736
dr	engr	appd	revision	sheet	index	sheet	Product Customer Drawing	A3
dr	engr	appd	revision	sheet	index	sheet	Product Customer Drawing	A3
dr	engr	appd	revision	sheet	index	sheet	Product Customer Drawing	A3

X-ON Electronics

Largest Supplier of Electrical and Electronic Components

Click to view similar products for [FFC & FPC Connectors](#) category:

Click to view products by [Amphenol](#) manufacturer:

Other Similar products are found below :

[HFW11R-1STE1H1LF](#) [FH29B-100S-0.2SHW\(99\)](#) [FA5S008HP1](#) [FH29B-120S-0.2SHW\(99\)](#) [FH29B-80S-0.2SHW\(99\)](#) [FHS-16](#) [FPH-2022G](#)
[52610-1075](#) [52610-1275](#) [52610-1934](#) [XF3M\(1\)-1415-1B-R100](#) [501864-3091-TR225](#) [0525594033](#) [086210010340800](#) [086222026001800](#)
[52271-2869-CUT-TAPE](#) [62674-201121DLF](#) [62684-36210E9ALF](#) [52610-1675](#) [52746-1671-TR250](#) [10051922-2810EHLF](#) [6-520415-9](#)
[BD021-09A-A1-0350-0200-0550-LD](#) [SFV6R-1STE9HLF](#) [XF3M-2915-1B-R100](#) [1658549-1](#) [62674-221121ALF](#) [46214008010800](#)
[046298003000883](#) [151660622](#) [842-816-2630-035](#) [AYF530665TA](#) [AYF351525](#) [046296011930846+](#) [AYF352325A](#) [046254020000800+](#)
[FH19C-13S-0.5SH\(99\)](#) [FH39J-51S-0.3SHW\(99\)](#) [AYF355125A](#) [AYF530365TA](#) [FH29B-44S-0.2SHW\(99\)](#) [SFW5R-2STAE9LF](#) [AYF351125A](#)
[AYF350725A](#) [62684-502100AHLF](#) [FH39-61S-0.3SHW\(99\)](#) [AYF414035A](#) [10064555-172520HLF](#) [AYF212335A](#) [504754-2500](#)