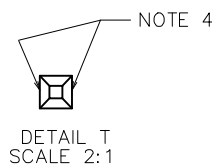
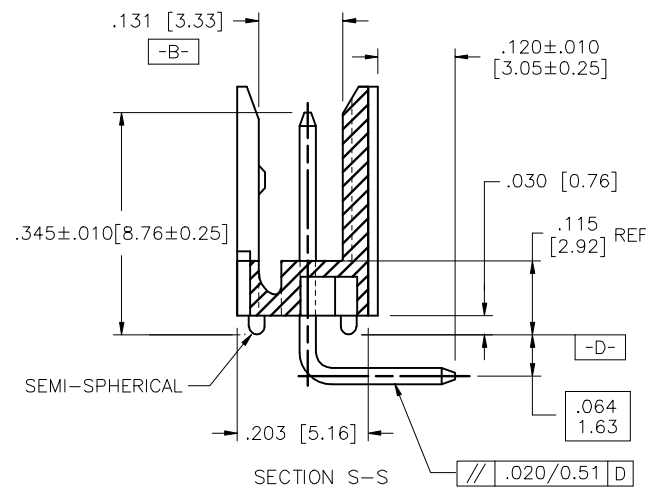
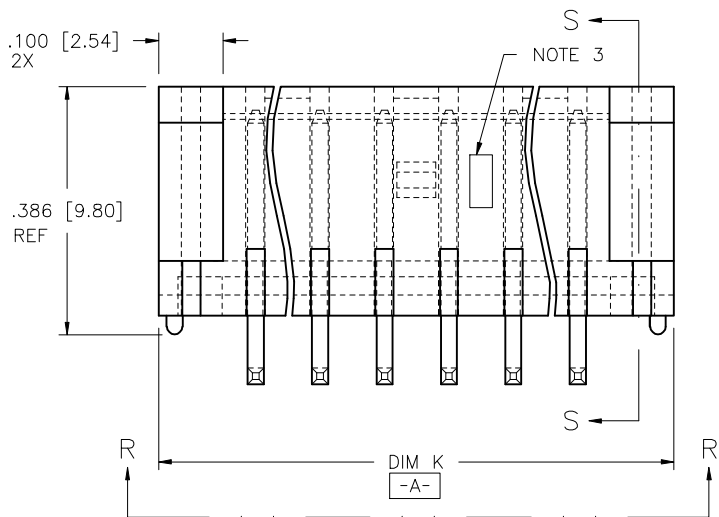
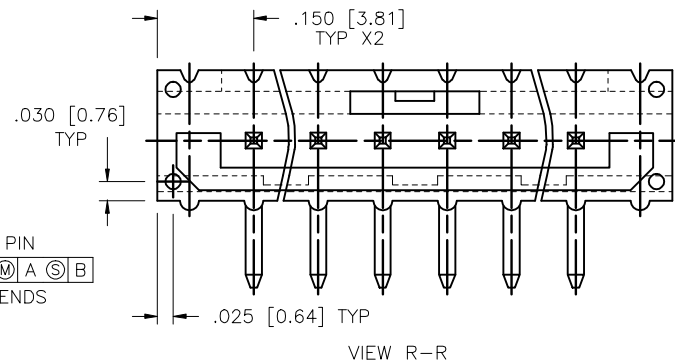
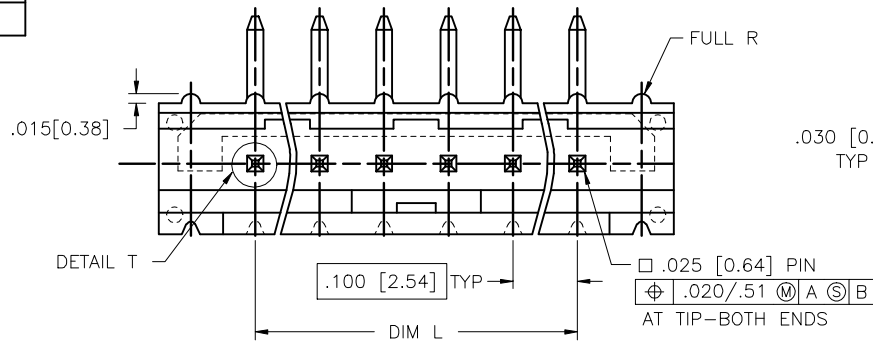


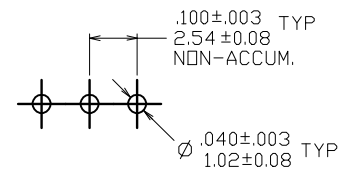
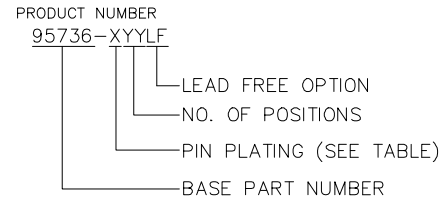
PRODUCT NO.
SEE TABLE



mat'l. code				surface ISO 1302	tolerance ISO 406 ISO 1101	projection ISO 1002	product family HEADER
ltr	ecn no	dr	date	tolerances unless otherwise specified		INCH/MM	title CLINCHER™ LATCH HEADER RIGHT ANGLE
B	V60842	EPK	6/3/96	angles	.XX±.01/XX±0.3		
C	C71289	HTB	9/22/97	linear	.XXX±.006/XX±0.13	scale 4:1	dwg no 95736
D	M05-0109	MHT	7/15/05	0'±2'	.XXX±.0020/XXX±0.05		sheet 1 of 2 size A3
E	M06-0052	MHT	1/30/06	dr	T.BREWBAKER	5/23/95	type Product Customer Drawing
F	M06-0233	AGS	6/13/06	engr	T. HANNA	5/23/95	
G	M06-0469	MHT	11/28/06	chr	T. HANNA	5/23/95	
H	M09-0059	MHT	4/16/09	appd	T. HANNA	7/6/95	
sheet	revision		H	H			
index	sheet	1	2				

PRODUCT NO. NOTE 5	NO. OF POSITIONS	DIM K		DIM L		NOTES
		ENGLISH	METRIC	ENGLISH	METRIC	
95736-X02	1 X 2	0.400	10.16	0.100	2.54	-
95736-X03	1 X 3	0.500	12.70	0.200	5.08	-
95736-X04	1 X 4	0.600	15.24	0.300	7.62	-
95736-X05	1 X 5	0.700	17.78	0.400	10.16	-
95736-X06	1 X 6	0.800	20.32	0.500	12.70	-
95736-X07	1 X 7	0.900	22.86	0.600	15.24	-
95736-X08	1 X 8	1.000	25.40	0.700	17.78	-
95736-X09	1 X 9	1.100	27.94	0.800	20.32	-
95736-X10	1 X 10	1.200	30.48	0.900	22.86	-
95736-X11	1 X 11	1.300	33.02	1.000	25.40	-
95736-X12	1 X 12	1.400	35.56	1.100	27.94	-
95736-X13	1 X 13	1.500	38.10	1.200	30.48	-
95736-X14	1 X 14	1.600	40.64	1.300	33.02	-
95736-X15	1 X 15	1.700	43.18	1.400	35.56	-
95736-X16	1 X 16	1.800	45.72	1.500	38.10	-

DASH NO	OVERPLATING	UNDERPLATING
-1YY	30u"/.76u MIN (SEE NOTE 8)	50u"/1.27u MIN Ni
-1YYLF	30u"/.76u MIN (SEE NOTE 8)	50u"/1.27u MIN Ni
-4YY	100u"/2.54u MIN Sn (NOTE 9)	50u"/1.27u MIN Ni
-4YYLF		50u"/1.27u MIN Ni



SCALE 3/1
RECOMMENDED HOLE PATTERN

NOTE

- MOLDING MATERIAL: HIGH TEMPERATURE PLASTIC FLAME RETARDENT PER UL-94V-0. COLOR: NATURAL
- PIN MATERIAL: 3/4 HD PHOS. BRONZE
- LOGO TO BE LOCATED APPROX. AS SHOWN.
- TWO NON-CRITICAL SIDES OF PIN TIP NOT PLATED, BOTH ENDS.
- FOR LEAD FREE OPTION ADD "LF" IN THE END OF THE EXISTING PART NUMBERS.
- IF "LF" P/N THE PRODUCT MEETS EUROPEAN UNION DIRECTIVES AND OTHER COUNTRY REGULATION AS DESCRIBED IN GS-22-008.
- THE HOUSING WILL WITHSTAND EXPOSURE TO 260°C PEAK TEMPERATURE FOR 20-30 SECONDS IN A CONVECTION, INFRA-RED OR VAPOR PHASE REFLOW OVEN. SEE APPLICATION NOTES/PROCEDURES IF THEY ARE AVAILABLE OR THE HOUSING WILL WITHSTAND EXPOSURE TO 260°C PEAK TEMPERATURE FOR 15 SECONDS IN A WAVE SOLDER APPLICATION WITH A 1.5mm MINIMUM THICK CIRCUIT BOARD. SEE APPLICATION NOTES/PROCEDURES IF THEY ARE AVAILABLE.
- PLATING OPTIONS: MAY BE EITHER GOLD OR GXT PLATED AT THE MANUFACTURER'S CHOICE
- "THIS PRODUCT HAS 100% TIN PLATING IN THE INTERFACE AND HAS NOT BEEN TESTED FOR WHISKER GROWTH IN ALL INTERCONNECT ENVIRONMENTS."

mal't. code		surface ISO 1302	tolerance ISO 406 ISO 1101	projection INCH/MM	product family HEADER
ltr	ecn no	dr	date	title CLINCHER™ LATCH HEADER RIGHT ANGLE	
tolerances unless otherwise specified				scale 4:1	
angles		linear		sheet 2 of 2 size A3	
0°±2'		XXX±.01/XX±0.3 XXX±.006/XX±0.13 XXX±.0020/XXX±0.05		dwg no 95736	
dr		engr		type Product Customer Drawing	
T.BREWBAKER		T. HANNA		5/23/95	
5/23/95		T. HANNA		5/23/95	
7/6/95		T. HANNA		7/6/95	
appd		revision		sheet	
sheet		index		sheet	

FCJ
FConnect.com
Copyright FCJ

X-ON Electronics

Largest Supplier of Electrical and Electronic Components

Click to view similar products for [FFC & FPC Connectors](#) category:

Click to view products by [Amphenol](#) manufacturer:

Other Similar products are found below :

[K-FC20](#) [FH29B-80S-0.2SHW\(99\)](#) [FPH-2022G](#) [AYF332735](#) [52610-1075](#) [52610-1275](#) [52610-1934](#) [501864-3091-TR225](#) [086222026001800](#)
[52610-0675](#) [62684-36210E9ALF](#) [52746-1671-TR250](#) [10051922-2810EHLF](#) [6-520415-9](#) [SFV6R-1STE9HLF](#) [XF3M-2915-1B-R100](#)
[1658549-1](#) [46214008010800](#) [AYF534065TA](#) [AYF351525](#) [086212040340800+](#) [AYF530365TA](#) [67000-014LF](#) [67000-004LF](#)
[006207341915000+](#) [DS1020-19RT1D](#) [67000-003LF](#) [67000-011LF](#) [67000-016LF](#) [HFW14R-2STE9LF](#) [SFV32R-2STBE9HLF](#) [SFW12R-](#)
[5STE9LF](#) [SFW18R-1STAE9LF](#) [SFW4R-5STE9LF](#) [52807-0430](#) [046283021002868+](#) [THD1015-8CL-SN](#) [67000-006LF](#) [502250-8027](#)
[104267-9617](#) [66987-011LF](#) [AYF362535](#) [F0501-T-50-20T-R](#) [HFW8S-2STAE1HLF](#) [67000-008LF](#) [67000-012LF](#) [ECC576069EU](#) [F1002-B-](#)
[20-20T-R](#) [HFW15S-2STAE1HLF](#) [5019511030](#)