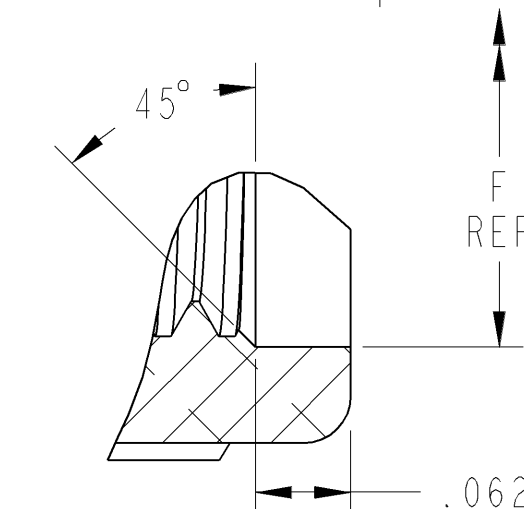
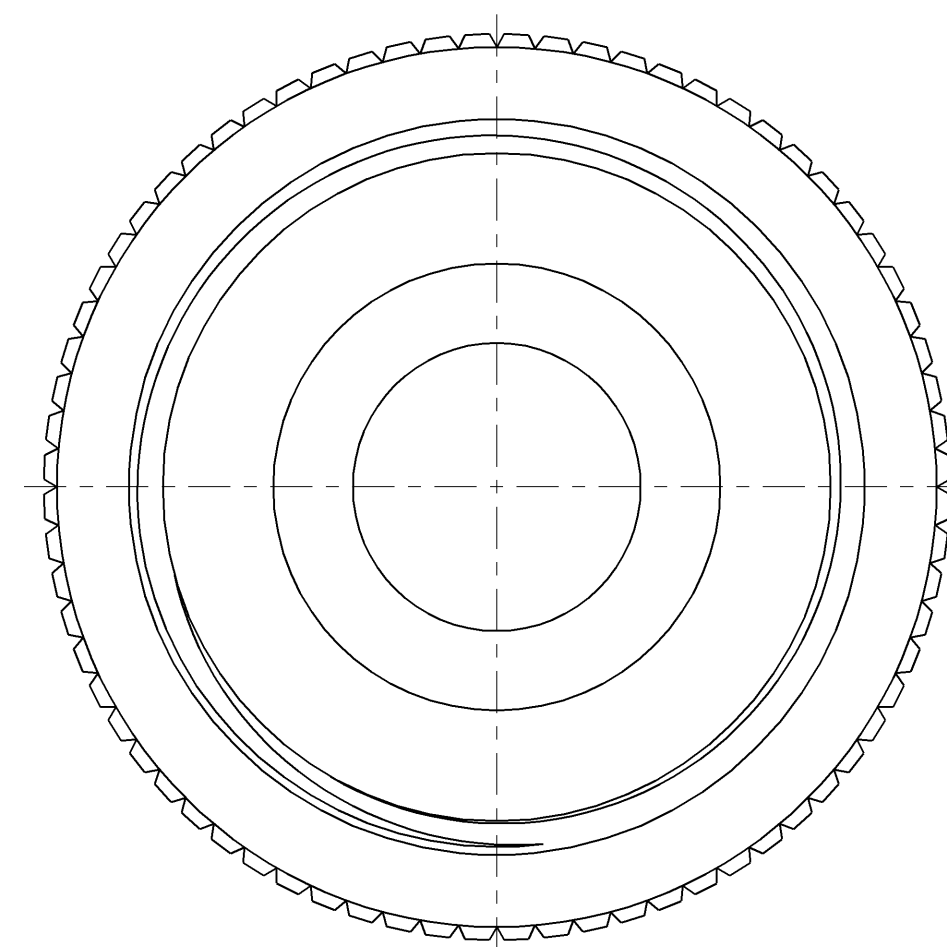
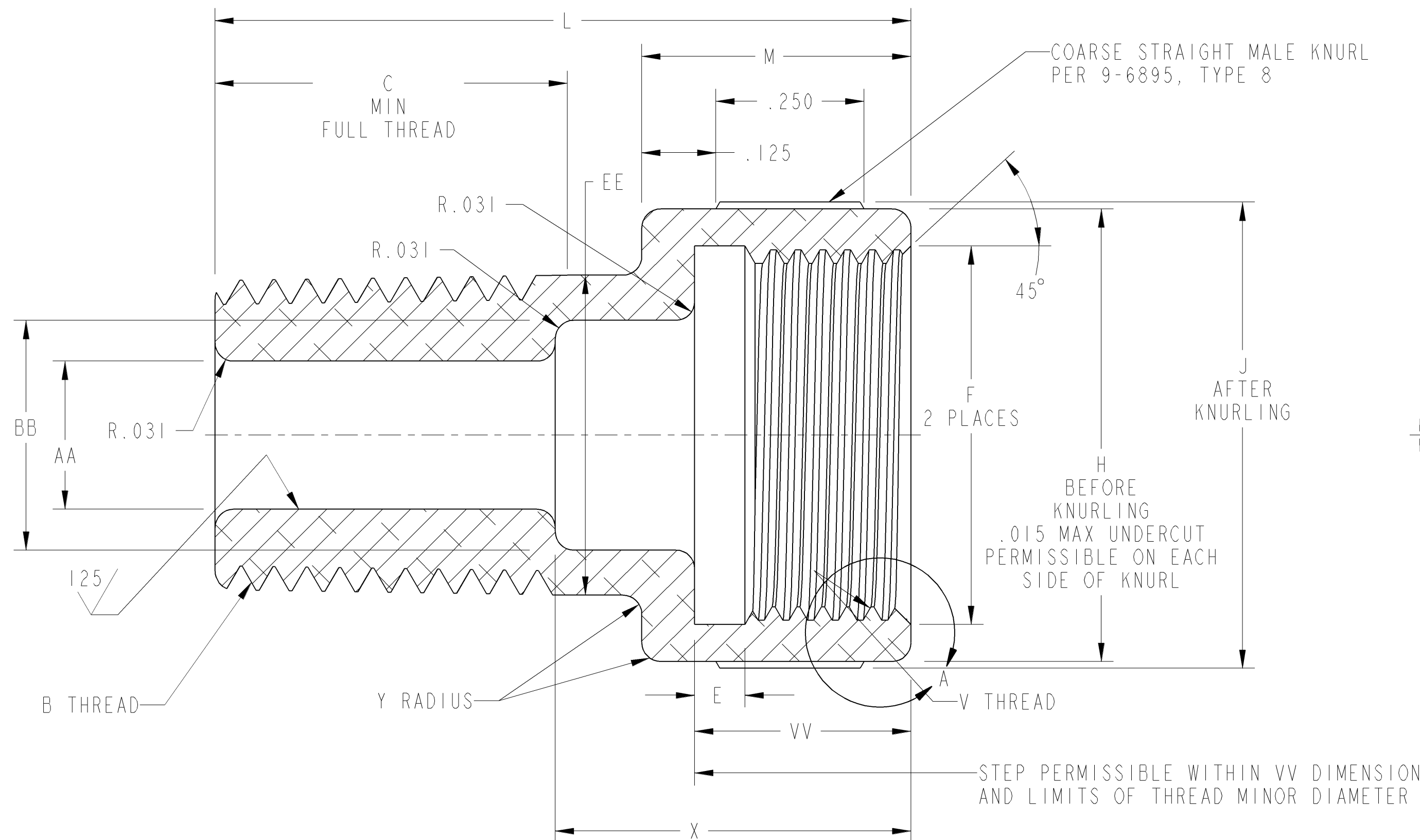


REVISIONS			
LTR	DESCRIPTION	DATE	APPVD
B	ADD AND RELEASE -183 AND DATA SEE ECN 91775		
C	(CL I) SEE ECN: 95298	8/2/04 A.G. MORRISON	JED
D	(CL I) ADD & REL -182 & DATA SEE ECN:97876	9/2/05	JED
E	(CL II) SEE CHANGE NOTICE ECN: A0428	6-9-08	H.BROOKER



DETAIL A
ALTERNATE METHOD

UNLESS OTHERWISE SPECIFIED

LINEAR DIMENSIONS ARE IN INCHES

TOLERANCES:

.XXXX = ±.0005

.XXX = ±.010

.XX = ±.03

.X = ±.1

ANGLES = ±2°

OTHER STANDARDS PER 9-3800 AND DOD-D-1000

THIRD ANGLE PROJECTION

SPECIFICATIONS

MATERIAL SPEC.
ALUMINUM PER AMS 4150

PROCESS SPEC.
SEE NOTE 2

POS	QTY	PART NUMBER	DESCRIPTION	NOTE
PARTS LIST				
AMPHENOL CORPORATION <small>SIDNEY, N. Y. 13838</small>				
ADAPTER, RIGID CONDUIT, ELECTRICAL CONNECTOR, TYPE 97-3055-121				
SIZE	FSCM NO.	DOCUMENT NO.	REV.	
C	77820	10-831900/909	E	
SCALE: NONE		REF:	10-830983	SHEET 1 OF 2

THIS DOCUMENT CONTAINS PROPRIETARY INFORMATION AND SUCH INFORMATION MAY NOT BE DISCLOSED TO OTHERS FOR ANY PURPOSE OR USED FOR MANUFACTURING PURPOSES WITHOUT WRITTEN PERMISSION FROM THE AMPHENOL CORPORATION.

N/A

N/A

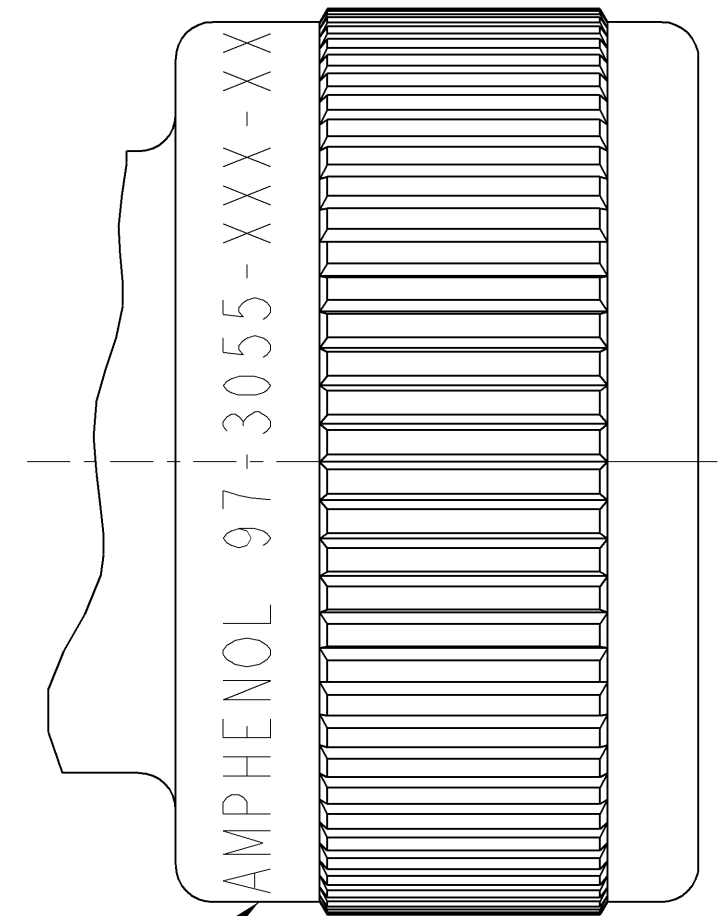
NEXT ASSEMBLY

PART NUMBER	AMPHENOL PART NUMBER	B THREAD	C MIN FULL THREAD	E +.008 -.007	F DIA ±.005	H DIA +.002 -.003	J DIA REF	L	M	V THREAD PER FEDERAL HANDBOOK H-28	X	AA DIA	BB DIA	EE DIA	VV	Y RAD	APPROXIMATE SURFACE AREA (SQ. IN.)
10-831900-121	97-3055-121-12001	1/4-18 NPT	.5946	.085	.639	.764	.787	1.171	.454	.6250-24 UNEF-2B	.600	.250	.388	.540	.365	.032	5.63
10-831901-()	NOT AVAILABLE																
10-831902-()	NOT AVAILABLE																
10-831903-182	97-3055-121-18002	1/2-14 NPT	.7815	.085	1.008	1.154	1.177	1.360	.454	1.0000-20 UNEF-2B	.600	.500	.625	.840	.365	.016	11.10
10-831903-183	97-3055-121-18003	3/4-14 NPT	.7395	.085	1.008	1.154	1.177	1.375	.454	1.0000-20 UNEF-2B	.600	.750	.875	1.050	.365	.016	11.42
10-831904-222	97-3055-121-22002	1/2-14 NPT	.7815	.085	1.206	1.353	1.376	1.360	.454	1.1875-18 UNEF-2B	.600	.500	.625	.840	.365	.032	11.53
10-831904-223	97-3055-121-22003	3/4-14 NPT	.7935	.085	1.206	1.353	1.376	1.375	.454	1.1875-18 UNEF-2B	.600	.750	.875	1.050	.365	.032	12.91
10-831905-282	97-3055-121-28002	1/2-14 NPT	.7815	.085	1.456	1.608	1.631	1.360	.454	1.4375-18 UNEF-2B	.600	.500	.625	.840	.365	.032	13.48
10-831905-283	97-3055-121-28003	3/4-14 NPT	.7935	.085	1.456	1.608	1.631	1.375	.454	1.4375-18 UNEF-2B	.600	.750	.875	1.050	.365	.032	14.86
10-831905-284	97-3055-121-28004	1-11 1/2 NPT	.9845	.085	1.456	1.608	1.631	1.563	.454	1.4375-18 UNEF-2B	.600	1.000	1.188	1.315	.365	.032	18.13
10-831906-()	NOT AVAILABLE																
10-831907-()	NOT AVAILABLE																
10-831908-()	NOT AVAILABLE																
10-831909-()	NOT AVAILABLE																

3. STAMP "AMPHENOL" & 97-3055-XXX-XXXXX ON INDICATED SURFACE APPROXIMATELY .062 HIGH PER 9-2811.
2. PROCESS SPECIFICATION:
CADMIUM PLATE PER 9-3047
9-2811, 9-6895
1. SPECIFIED GENERAL TOLERANCES:
REMOVE ALL BURRS AND SHARP EDGES
.032 RAD ON ALL EXTERNAL CORNERS.

NOTES:

THIS DOCUMENT CONTAINS PROPRIETARY INFORMATION AND SUCH INFORMATION MAY NOT BE DISCLOSED TO OTHERS FOR ANY PURPOSE OR USED FOR MANUFACTURING PURPOSES WITHOUT WRITTEN PERMISSION FROM THE AMPHENOL CORPORATION.



3

SIZE C	FSCM NO. 77820	DOCUMENT NO. 10-831900/909	REV. E
SCALE: NONE REF:		SHEET 2 OF 2	

DOC NO 10-831900/909 SH 2 OF 2

TAB.

X-ON Electronics

Largest Supplier of Electrical and Electronic Components

Click to view similar products for [Circular MIL Spec Strain Reliefs & Adapters](#) category:

Click to view products by [Amphenol](#) manufacturer:

Other Similar products are found below :

[896227-000](#) [899170S004](#) [0113-023-000](#) [6000-063-0022](#) [CS6624-000](#) [620AB038Z136](#) [620AS001Z108](#) [620AS038Z112](#) [620AS038Z120](#)
[620AS038Z132](#) [620FB038NF08](#) [620HA038NF09](#) [620HA038NF11](#) [620HA038NF13](#) [620HA038NF25](#) [620HB049NF17](#) [620HS038NF11](#)
[620HS038Z121](#) [620HS042XM19](#) [620HS042XM25](#) [620HS048B17](#) [620MS064NF12](#) [620MS065Z107](#) [620MS065ZNU06](#) [627-123NF21-11](#)
[627-125NF23-6](#) [630J041M06H](#) [630J041M20H](#) [637S010NF0212H](#) [637S010NF0416A](#) [640830-000](#) [659943-000](#) [66241-10A](#) [CW0597-000](#)
[CW0598-000](#) [CW0948-000](#) [CY0122-000](#) [M85049/41-6A W/B](#) [M85049/42-12DS](#) [M85049/47N8](#) [M85049/51-1-14S](#) [M85049/51S16S](#)
[M85049/60-1N16](#) [M85049/60-2G12W](#) [M85049/69-11N](#) [CZ3661-000](#) [D02922-000](#) [70.360.1628.0](#) [703797-000](#) [705825-000](#)