

4

3

2

1

REVISIONS				
ZONE	LTR	DESCRIPTION	DATE	APPROVED
—	C	(CLII) ADDED NOTE 7 ECN:22391	08/29/89 BURNSIDE	m.n. J.B.

D

D

C

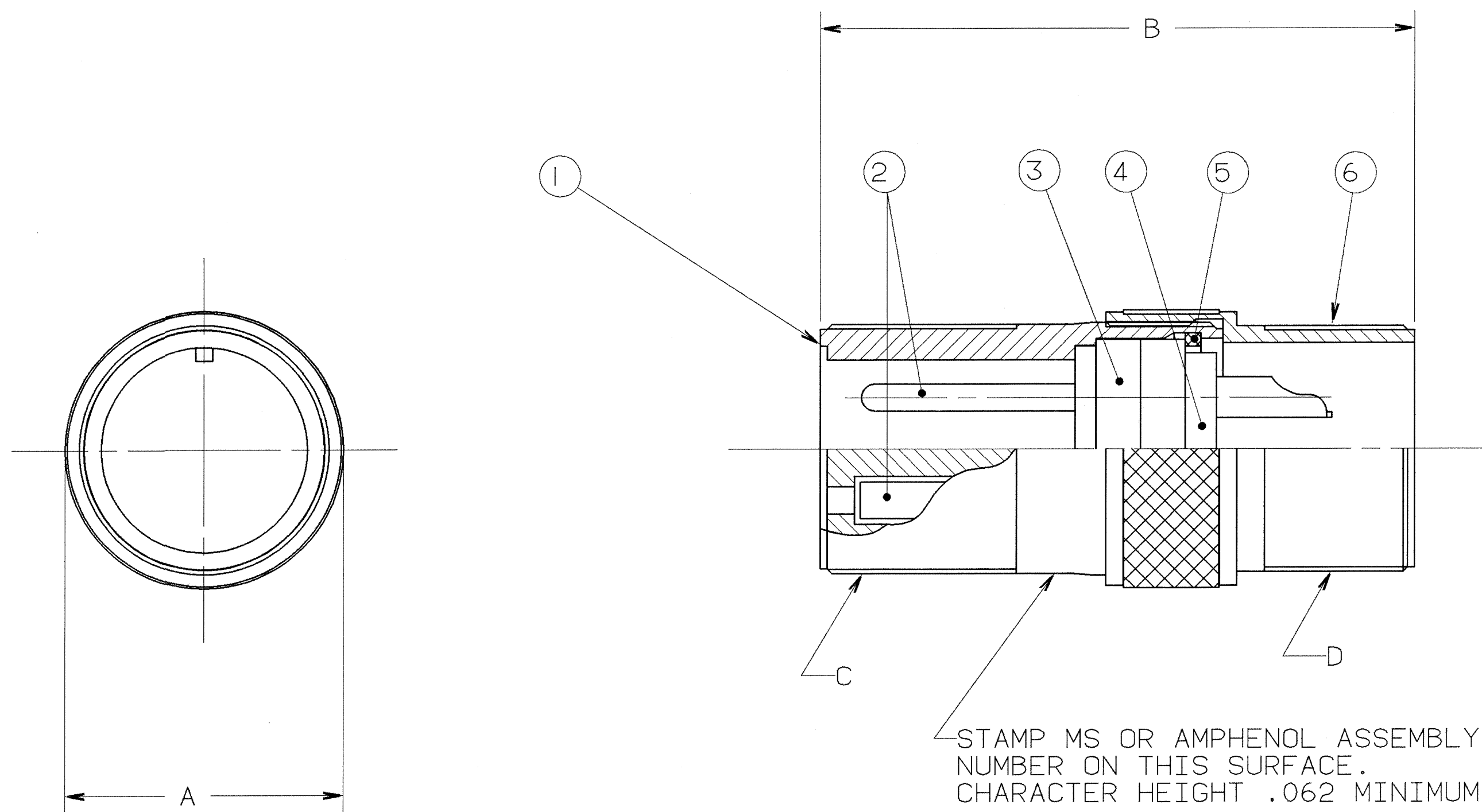
C

B

B

A

A



STAMP MS OR AMPHENOL ASSEMBLY NUMBER ON THIS SURFACE.
CHARACTER HEIGHT .062 MINIMUM.

FIND NO.	QTY REQD.	FSCM NO.	PART NUMBER	DESCRIPTION	NOTE REF.
6	SEE NOTE		SEE NOTE 1	BACK SHELL	
5				RING, RETAINING	
4				INSERT, REAR	
3				INSERT, FRONT	
2				CONTACTS	
1				SHELL	

UNLESS OTHERWISE SPECIFIED
LINEAR DIMENSIONS ARE IN
INCHES.
TOLERANCES: .XXX±.010,
.XX ±.03, .X ±.1,
ANGLES ±2°.
OTHER STANDARDS PER 9-3800
AND DOD-D-1000.
NOTE REF. = Δ

PARTS LIST				AMPHENOL CORPORATION BENDIX CONNECTOR OPERATIONS SIDNEY, N.Y.	
SPECIFICATIONS	SIGNATURES	DATES	SIZE	FSCM NO.	REV.
MATERIAL SPEC. N/A	PREPARED A. PRESCOTT CHECKED PHILPOTT MATERIAL	11/6/87 11/17/87	C	77820	C
PROCESS SPEC. 9-2437-33	APPROVED BERNHARDT HAYNER 1ST PART NO.	11/17/87 11/17/87	SCALE	NONE	WT.
				10-820020-01P	REF N/A
					SHEET 1 OF 2

SEE SHEET 2.
NOTES:

THE USE OF THIS DOCUMENT IS UNLIMITED.
HOWEVER, DOCUMENTS REFERENCED HEREON
MAY CONTAIN LIMITED RIGHTS DATA.

N/A	N/A
	NEXT ASSEMBLY

97-3101A

8/29/89 16:19 * 89241 14.46 * PRELISE * 10-820020/039 0001

8/23/83 16:19 * 89241 14 81 * PRELISE * 10-820020/039 0002

4

3

2

1

BENDIX ASSEMBLY NUMBER	AMPHENOL ASSEMBLY NUMBER	MS ASSEMBLY NUMBER	A DIA.	B	C THREAD	G THREAD
10-820020-()	97-3101A- 8S -()	MS3101A- 8S -()	.531	1.250	.5000-28 UNEF-2A	.5000-28 UNEF-2A
10-820021-()	-10S -()	-10S -()	.625	1.312	.6250-24 UNEF-2A	.5000-28 UNEF-2A
10-820022-()	-10SL-()	-10SL-()	.784	1.457	.6250-24 UNEF-2A	.6250-24 UNEF-2A
10-820023-()	-12S -()	-12S -()	.784	1.457	.7500-20 UNEF-2A	.6250-24 UNEF-2A
10-820024-()	-12SL-()	-12SL-()	NOT AVAILABLE			
10-820025-()	-12 -()	-12 -()	.784	1.844	.7500-20 UNEF-2A	.6250-24 UNEF-2A
10-820026-()	-14S -()	-14S -()	.875	1.438	.8750-20 UNEF-2A	.7500-20 UNEF-2A
10-820027-()	-14 -()	-14 -()	.875	1.844	.8750-20 UNEF-2A	.7500-20 UNEF-2A
10-820028-()	-16S -()	-16S -()	1.000	1.484	1.0000-20 UNEF-2A	.8750-20 UNEF-2A
10-820029-()	-16 -()	-16 -()	1.000	1.891	1.0000-20 UNEF-2A	.8750-20 UNEF-2A
10-820030-()	-18 -()	-18 -()	1.125	2.000	1.1250-18 UNEF-2A	1.0000-20 UNEF-2A
10-820031-()	-20 -()	-20 -()	1.250	2.125	1.2500-18 UNEF-2A	1.1875-18 UNEF-2A
10-820032-()	-22 -()	-22 -()	1.375	2.125	1.3750-18 UNEF-2A	1.1875-18 UNEF-2A
10-820033-()	-24 -()	-24 -()	1.500	2.250	1.5000-18 UNEF-2A	1.4375-18 UNEF-2A
10-820034-()	-28 -()	-28 -()	1.750	2.250	1.7500-18 UNEF-2A	1.4375-18 UNEF-2A
10-820035-()	-32 -()	-32 -()	2.031	2.375	2.0000-18 UNEF-2A	1.7500-18 UNEF-2A
10-820036-()	-36 -()	-36 -()	2.250	2.375	2.2500-16 UN-2A	2.0000-18 UNEF-2A
10-820037-()	-40 -()	-40 -()	2.750	2.375	2.5000-16 UN-2A	2.2500-16 UN-2A
10-820038-()	-44 -()	-44 -()	NOT AVAILABLE			
10-820039-()	-48 -()	-48 -()	NOT AVAILABLE			

D

D

C

C

B

97-3101A

A

A

TO COMPLETE, ADD APPLICABLE INSERT ARRANGEMENT SUFFIX PER 9-2437-33. ⁶

7. IDENTIFY PACKAGE WITH APPLICABLE MS OR 97- PART NUMBER PER NOTE 6.
6. FOR BENDIX INSERT ARRANGEMENT SUFFIX -1 THROUGH -49, STAMP MS ASSEMBLY NUMBER. FOR BENDIX INSERT ARRANGEMENT SUFFIX -50 THROUGH -99, AND -AA THROUGH -BC, STAMP AMPHENOL ASSEMBLY NUMBER.
5. FOR CONTACT ARRANGEMENT, SEE MIL-STD-1651 AND L-22208-() THROUGH L-22248-().
4. PACKAGE PER PRODUCTION PROCESS SHEET.
3. UNITS MEET THE APPLICABLE REQUIREMENTS OF MIL-C-5015.
2. SEE WORK ORDER FOR PERMISSIBLE ADDITIONAL OR ALTERNATE STAMPING.
1. SEE SEPARATE PARTS LIST FOR COMPONENT PART NUMBERS AND QUANTITIES.

NOTES:

THE USE OF THIS DOCUMENT IS UNLIMITED. HOWEVER, DOCUMENTS REFERENCED HEREON MAY CONTAIN LIMITED RIGHTS DATA.

SIZE	FSCM NO.	REV.
C	77820	C
SCALE	WT.	REF.
		SHEET 2

COMPUTER GENERATED DRAWING

TAB.

X-ON Electronics

Largest Supplier of Electrical and Electronic Components

Click to view similar products for [Circular MIL Spec Backshells](#) category:

Click to view products by [Amphenol](#) manufacturer:

Other Similar products are found below :

[60-036152-022](#) [610HS012M15](#) [M28840/504WA](#) [M28840/805WB](#) [M28840/809WA](#) [M28840/815WA](#) [M28840/816WA](#) [627AS017M14](#)
[627MA124M14S](#) [655HS002NF11](#) [CW3899-000](#) [M85049/10-134S](#) [M85049/10-17S](#) [M85049/10-33S](#) [M85049/10-94W](#) [M85049/11-28N](#)
[M85049/11-37N](#) [M85049/11-53N](#) [M85049/11-63N](#) [M85049/124-23W](#) [M85049/1720N04B](#) [M85049/1821W05C](#) [M85049/1825W06C](#)
[M85049/1919N05](#) [M85049/23-74W](#) [M85049/24-71N](#) [M85049/25-47N](#) [M85049/25-94W](#) [M85049/27S12N](#) [M85049/39-11S](#) [M85049/39-17S](#)
[M85049/39-9S](#) [M85049/6-10B](#) [M85049/6-19N](#) [M85049/6-20B](#) [M85049/77-20W04](#) [M85049/78-11N03](#) [M85049/78-15W02](#) [M85049/78-](#)
[17N04](#) [M85049/78-19N05](#) [M85049/79-19N07](#) [M85049/79-25N04](#) [M85049/82-18N02](#) [M85049/82-22P02](#) [M85049/83-10W03](#) [M85049/84-](#)
[20N03](#) [M85049/8-48N](#) [M85049/85-24N01](#) [M85049/85-24P01](#) [M85049/86-16P03](#)