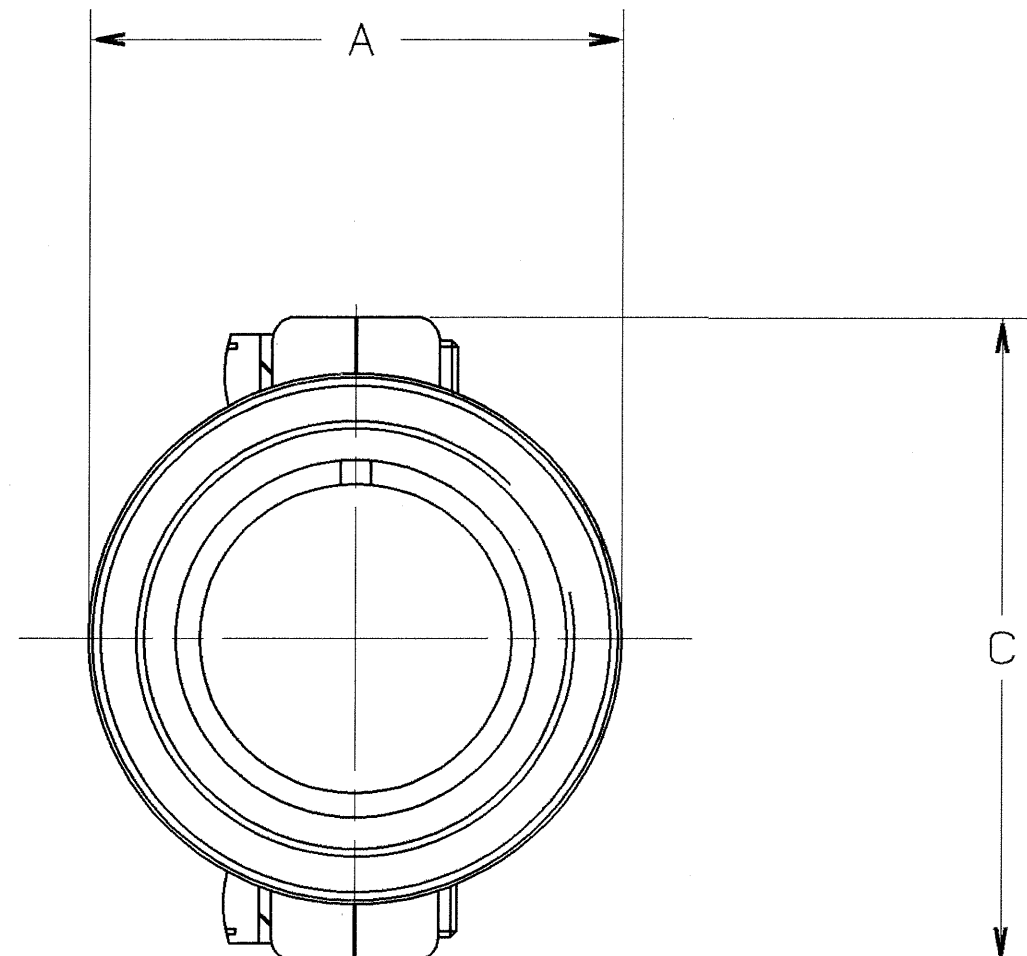
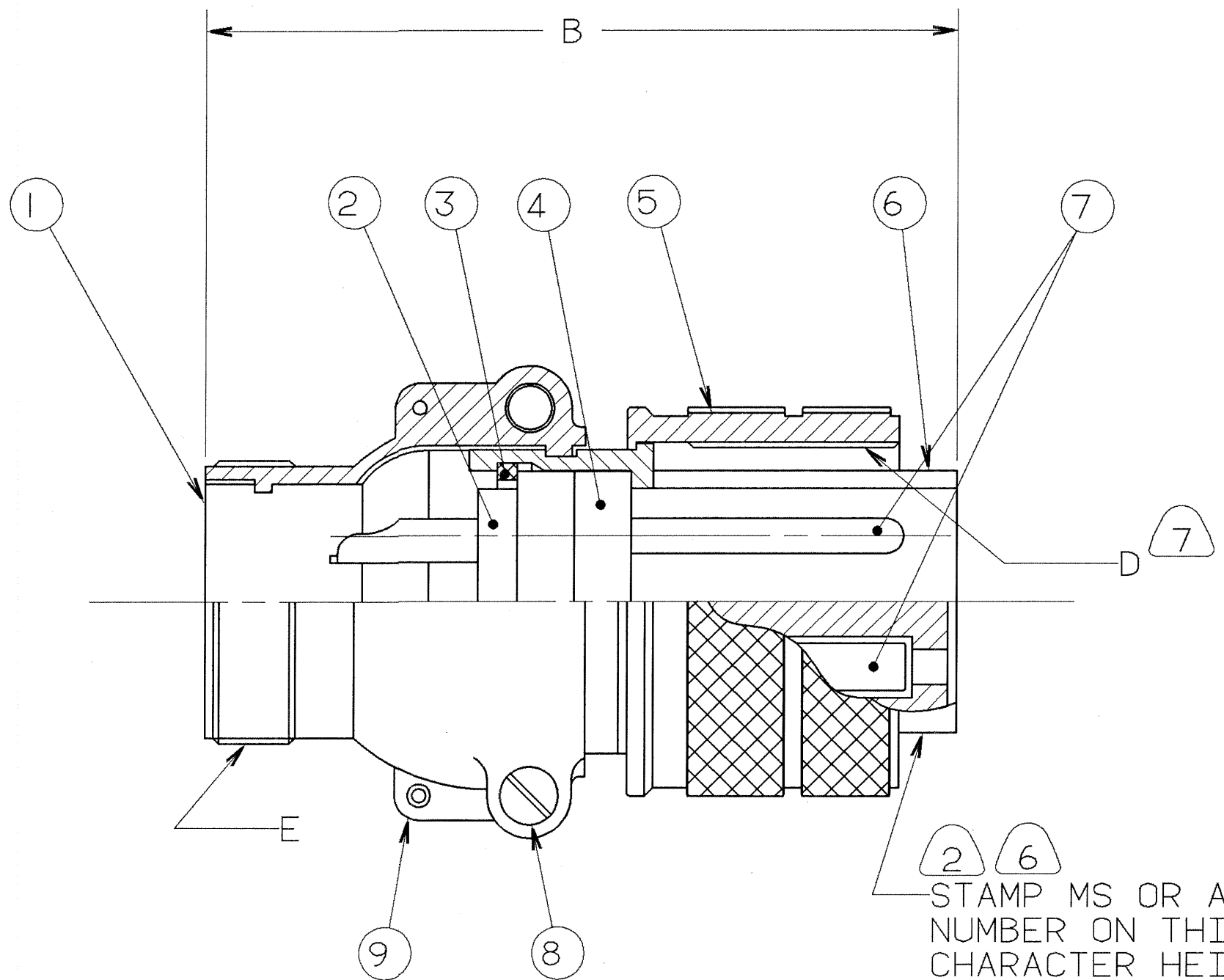


REVISIONS				
ZONE	LTR	DESCRIPTION	DATE	APPROVED
—	C	(CLII) ADDED NOTE 8 ECN:22391	08/29/89 BURNSIDE	m.d. J.B.



STAMP MS OR AMPHENOL ASSEMBLY NUMBER ON THIS SURFACE. CHARACTER HEIGHT .062 MINIMUM.

FIND NO.	QTY REQD.	FSCM NO.	PART NUMBER	DESCRIPTION	NOTE REF.
9	SEE NOTE		SEE NOTE 1	BACK SHELL, FEMALE	
8				SCREW, BACK SHELL	
7				CONTACTS	
6				SHELL	
5				RING, COUPLING	7
4				INSERT, FRONT	
3				RING, RETAINING	
2				INSERT, REAR	
1				BACK SHELL, MALE	

UNLESS OTHERWISE SPECIFIED LINEAR DIMENSIONS ARE IN INCHES.  
 TOLERANCES: .XXX±.010,  
 .XX ±.03, .X ±.1,  
 ANGLES ±2°.  
 OTHER STANDARDS PER 9-3800  
 AND DOD-D-1000.  
 NOTE REF. = XX

PARTS LIST					
PREPARED	SIGNATURES	DATES	AMPHENOL CORPORATION BENDIX CONNECTOR OPERATIONS SIDNEY, N.Y.		
A. PRESCOTT		11/6/87	CONNECTOR, ELECTRICAL PLUG, TYPE 97-3106B, OLIVE DRAB CADMIUM PLATED		
PHILPOTT		11/12/87			
APPROVED	BERNHARDT	11/13/87	SIZE	FSCM NO.	REV.
APPROVED	HAYNER	11/17/87	C	77820	C
1ST PART NO.	10-820126-02P		SCALE	NONE	WT.
			REF	N/A	SHEET 1 OF 2

SEE SHEET 2.  
 NOTES:

THE USE OF THIS DOCUMENT IS UNLIMITED. HOWEVER, DOCUMENTS REFERENCED HEREON MAY CONTAIN LIMITED RIGHTS DATA.

N/A  
 N/A  
 NEXT ASSEMBLY

97-3106B

8/29/89 16:24 • 89241 18:30 • PRELISE • 10-820120/139 0002

4

3

2

1

BENDIX ASSEMBLY NUMBER	AMPHENOL ASSEMBLY NUMBER	MS ASSEMBLY NUMBER	A DIA.	B	C	D THREAD	E THREAD
10-820120-()	97-3106B- 8S -()	MS3106B- 8S -()	NOT AVAILABLE				
10-820121-()	-10S -()	-10S -()	↓				
10-820122-()	-10SL-()	-10SL-()					
10-820123-()	-12S -()	-12S -()					
10-820124-()	-12SL-()	-12SL-()	↓				
10-820125-()	-12 -()	-12 -()					
10-820126-()	-14S -()	-14S -()					
10-820127-()	-14 -()	-14 -()	NOT AVAILABLE				
10-820128-()	-16S -()	-16S -()	1.250	1.688	1.250	1.0000-20 UNEF-2B	.8750-20 UNEF-2A
10-820129-()	-16 -()	-16 -()	NOT AVAILABLE				
10-820130-()	-18 -()	-18 -()	1.344	2.063	1.641	1.1250-18 UNEF-2B	1.0000-20 UNEF-2A
10-820131-()	-20 -()	-20 -()	1.469	2.125	1.812	1.2500-18 UNEF-2B	1.1875-18 UNEF-2A
10-820132-()	-22 -()	-22 -()	1.594	2.125	1.937	1.3750-18 UNEF-2B	1.1875-18 UNEF-2A
10-820133-()	-24 -()	-24 -()	1.719	2.281	2.063	1.5000-18 UNEF-2B	1.4375-18 UNEF-2A
10-820134-()	-28 -()	-28 -()	1.969	2.281	2.312	1.7500-18 UNEF-2B	1.4375-18 UNEF-2A
10-820135-()	-32 -()	-32 -()	2.219	2.312	2.594	2.0000-18 UNEF-2B	1.7500-18 UNEF-2A
10-820136-()	-36 -()	-36 -()	2.469	2.344	2.848	2.2500-16 UN-2B	2.0000-18 UNEF-2A
10-820137-()	-40 -()	-40 -()	2.812	2.344	3.156	2.5000-16 UN-2B	2.2500-16 UN-2A
10-820138-()	-44 -()	-44 -()	NOT AVAILABLE				
10-820139-()	-48 -()	-48 -()	NOT AVAILABLE				

TO COMPLETE, ADD APPLICABLE INSERT ARRANGEMENT SUFFIX PER 9-2437-33.

6

8. IDENTIFY PACKAGE WITH APPLICABLE MS OR 97- PART NUMBER PER NOTE 6.
7. APPLY LUBRICANT 9-7568 TO THREADS OF COUPLING RING.
6. FOR BENDIX INSERT ARRANGEMENT SUFFIX -1 THROUGH -49, STAMP MS ASSEMBLY NUMBER. FOR BENDIX INSERT ARRANGEMENT SUFFIX -50 THROUGH -99, AND -AA THROUGH -BC, STAMP AMPHENOL ASSEMBLY NUMBER.
5. FOR CONTACT ARRANGEMENT, SEE MIL-STD-1651 AND L-22208-() THROUGH L-22248-().
4. PACKAGE PER PRODUCTION PROCESS SHEET.
3. UNITS MEET THE APPLICABLE REQUIREMENTS OF MIL-C-5015.
2. SEE WORK ORDER FOR PERMISSIBLE ADDITIONAL OR ALTERNATE STAMPING.
1. SEE SEPARATE PARTS LIST FOR COMPONENT PART NUMBERS AND QUANTITIES.

NOTES:

THE USE OF THIS DOCUMENT IS UNLIMITED. HOWEVER, DOCUMENTS REFERENCED HEREON MAY CONTAIN LIMITED RIGHTS DATA.

SIZE	FSCM NO.	REV.
C	77820	C
SCALE	WT.	REF.
SHEET		2

COMPUTER GENERATED DRAWING

TAB.

97-3106B

D

D

C

C

B

B

A

A

## X-ON Electronics

Largest Supplier of Electrical and Electronic Components

*Click to view similar products for* [Circular MIL Spec Tools, Hardware & Accessories](#) *category:*

*Click to view products by* [Amphenol](#) *manufacturer:*

Other Similar products are found below :

[0113-201-2025](#) [600-079-06](#) [600-146-06](#) [M10-101983-183](#) [M10-454396-008](#) [602GB18808](#) [CS3102A-22-14PW](#) [M2887615-CD](#) [627-009](#)  
[M38999/9-19B](#) [630A007NF083A](#) [630B007M051A](#) [630BJ003NF032H](#) [637-149NF04B](#) [M39029/29-215](#) [6408-203V-09273](#) [6426-201-11343](#)  
[650FS002NF16](#) [660-008NF14S7-01](#) [660-009M22H8-03](#) [660-013NF19U6-210](#) [660-015M10S6-17](#) [660-015NF10S5-01](#) [660-015NF14R3.5-01](#)  
[660-023NF19H6-19](#) [660-024NF11S12-01](#) [660-024NF11S3-01](#) [660-024NF17S4-109](#) [660-050XM17F4-01](#) [660-068NF25R6-30G](#) [660-](#)  
[070M23S8-04](#) [660-073MTCH9-20](#) [M83723/61-18W](#) [M83723/61-218R](#) [M83723/61-224W](#) [667-084-23C](#) [667-084-35C](#) [667-224NF16](#) [687-](#)  
[697NF-1](#) [M85049/94-10-A](#) [M85049/96-7-A](#) [M855282-10A01A](#) [M85528/2-10B](#) [M855282-18A01A](#) [M85528/2-22A01A](#) [M85528/2-22AA](#)  
[710HS460NF2508](#) [780-001-22G12-SK](#) [780-002-19G12-SK](#) [780-002-20G12SK](#)