

PRODUCT NUMBER

98414-XXX-XX-XXXLF

- PLATING \_\_\_\_\_ RoHS COMPATIBLE, SEE NOTE 8
- S = 0.38µm GOLD/GXT ON CONTACT AREA POLARIZATION, SEE NOTE 7
- 2µm MIN MATTE TIN ON TAIL PACKAGING, SEE NOTE 5
- G = 0.76µm GOLD/GXT ON CONTACT AREA TOTAL NB OF POSITIONS, 04 TO 50 POS
- 2µm MIN MATTE TIN ON TAIL COLOR OPTION NOTE 1
- F = GOLD FLASH ON CONTACT AREA
- 2µm MIN MATTE TIN ON TAIL
- T = 2.0-6.0µm FULL MATTE TIN
- 1.27µm Ni MIN UNDERLAYER

PIN STYLE	POST LENGTH	TAIL LENGTH
04	4.00	2.00
06	4.00	2.50
08	4.00	3.10
10	4.00	3.70

NOTES:

- MATERIAL HOUSING: HIGH TEMP. THERMOPLASTIC UL-94V0  
 - = STANDARD COLOR CREAM  
 B = OPTIONAL COLOR BLACK
- MATERIAL TERMINAL: COPPER ALLOY
- TO DETERMINE DIMENSIONS:  
 N = NUMBER OF POSITIONS PER ROW
- 7N MIN. PIN RETENTION IN EITHER DIRECTION.
- PACKAGING:  
 = STANDARD PACKAGING IN POLYBAGS  
 - = POLYBAGS PACKAGING WHEN POLARISATION FEATURE APPLICABLE  
 B = TUBE WITH PICK-UP CAP FOR 12 UP TO 50 POS  
 U = TUBE AVAILABLE FROM 06 TO 50 POS  
 UV = TUBE WITHOUT PICK UP CAP FOR CUSTOMER DEDICATED PART  
 A = TAPE & REEL WITH PICK UP CAP  
 AV = TAPE & REEL WITH PICK UP CAP FOR CUSTOMER DEDICATED PART  
 KV = TAPE & REEL WITHOUT PICK UP CAP FOR CUSTOMER DEDICATED PART
- DIM "C" = (N x 2) + 1.4  
 EXAMPLE: N = 7  
 DIM "C" = (7 x 2) + 1.4 = 15.4 mm
- FOR POLARIZATION, SPECIFIED PIN  
 EXAMPLE : A03 = ROW A, POSITION 03 TO OMIT PIN  
 OMIT FROM PRODUCT NUMBER IF THIS FEATURE IS NOT APPLICABLE.
- RoHS COMPATIBLE PRODUCT SPECIFICATIONS

a - PLATING:

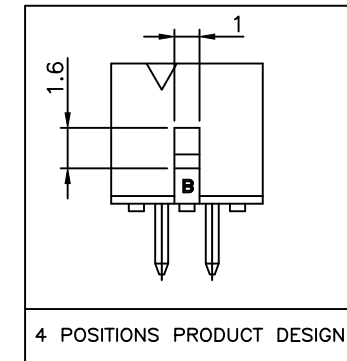
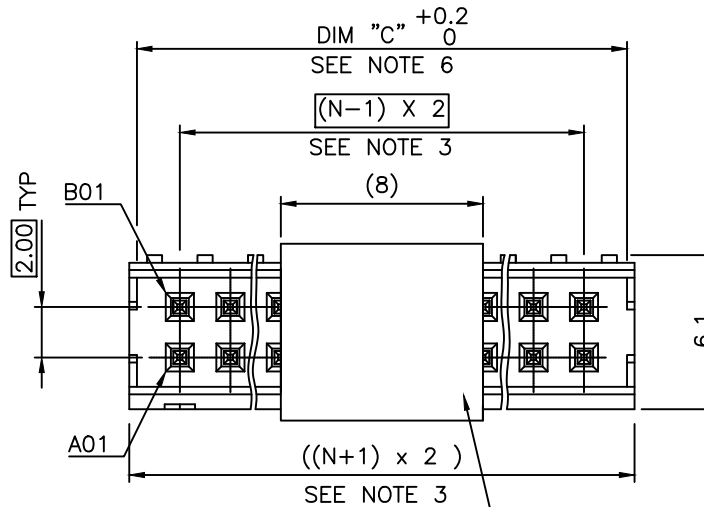
- "LF" MEANS THE PRODUCT IS LEAD-FREE, 2µm MINIMUM MATTE TIN OVER 1.27µm MINIMUM NICKEL UNDERPLATE.

b - MANUFACTURING PROCESS COMPATIBILITY

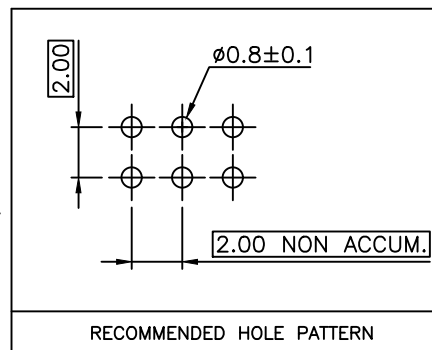
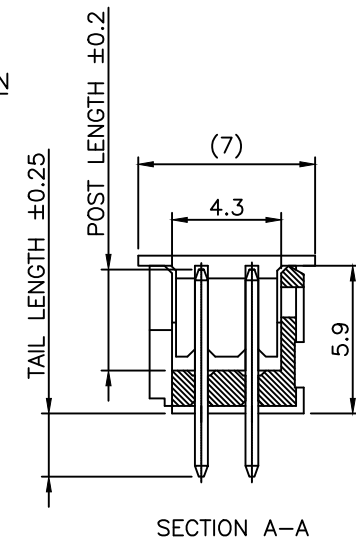
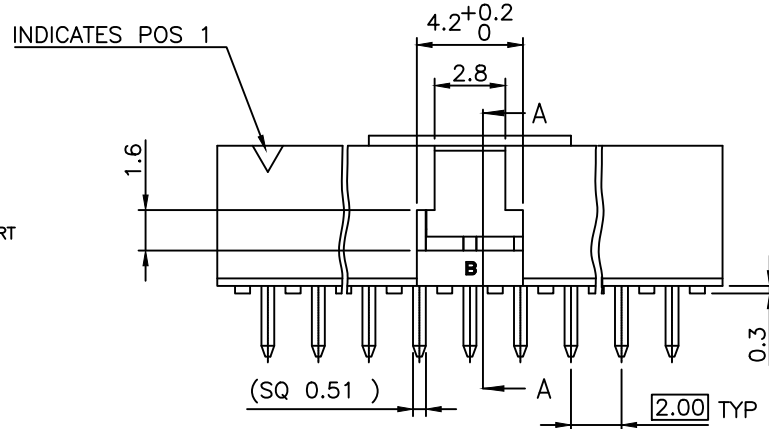
- THE HOUSING WILL WITHSTAND EXPOSURE TO 260°C PEAK TEMPERATURE FOR 30 SECONDS MAX IN A CONVECTION, INFRA-RED, OR VAPOR PHASE OR REFLOW OVEN
- THE HOUSING WILL WITHSTAND EXPOSURE TO 260°C ±5°C SOLDER BATH TEMPERATURE FOR 5 SECONDS IN A WAVE SOLDER APPLICATION WITH A 1.6mm MIN THICK CIRCUIT BOARD.

c - LABELLING:

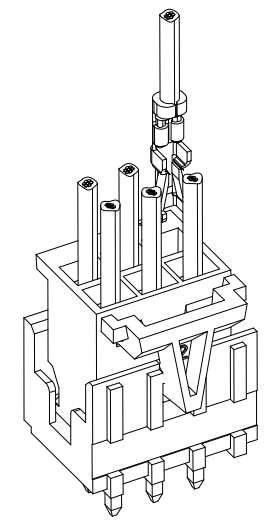
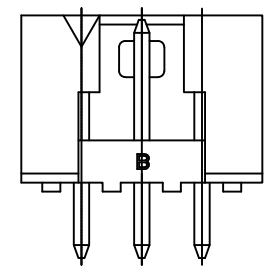
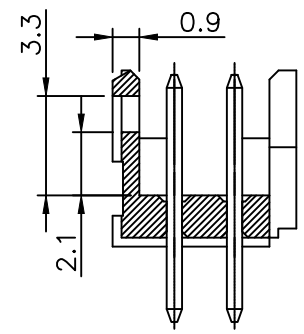
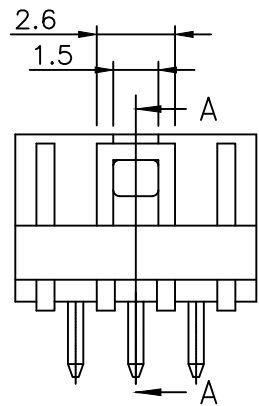
- MEETS PACKAGING SPECS AS PER GS-14-920
- THIS PRODUCT MEETS EUROPEAN DIRECTIVES AND OTHER COUNTRY REGULATIONS AS DISCRIBED IN GS-47-0004



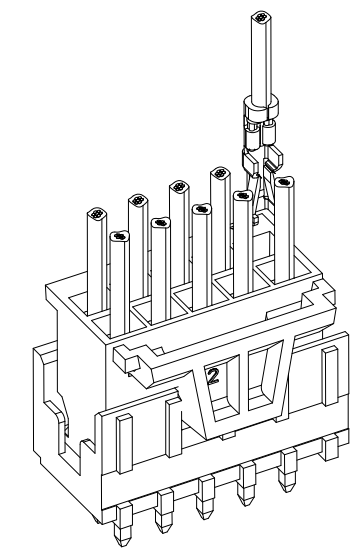
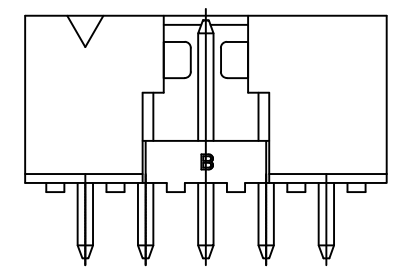
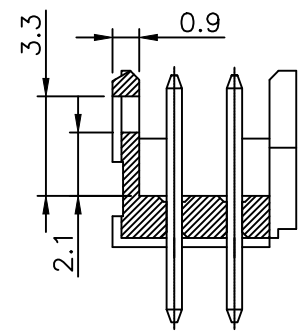
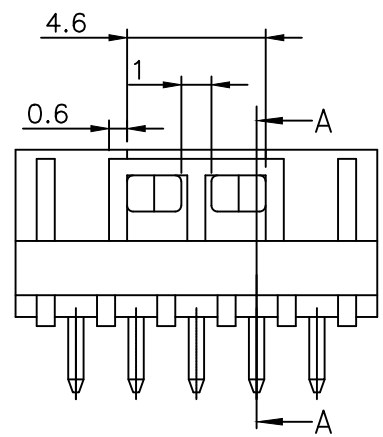
PICK UP CAP OPTION NOTE 5



mat'l. code		surface		tolerance		projection		product family	
SEE NOTES		ISO 1302 ✓		ISO 406 ISO 101		mm		MINITEK	
ltr	ecn no	dr	date	tolerances unless otherwise specified		mm		title	
P	F10-0215	JCO	10.09.16	X.X ±0.3		mm		SHR HEADER	
R	B-18812	LMU	14.09.15	X.XX ±0.13		mm		2.00 VERTICAL TMT	
S	B-19190	LMU	14.10.24	X.XXX ±0.05		scale 1:1		dwg no	
T	B-19797	AMA	14.12.16	dr	L.MULIN	04.09.27	sheet 1 of 2		size
U	B-19988	LMU	15.01.13	engr	J.COMPAGNON	04.09.27	98414		A3
V	F-34383	LMU	19.07.30	chr			type		
W	F-34619	DDE	19.08.20	appd	JM.C	04.09.27	CUSTOMER Drawing		
sheet index	revision	W	A						
	sheet	1	2						



2x3 POS AND 2x4 POS CONFIGURATION  
NO LATCHING AVAILABLE FOR 2x2 POS



2x5 POS UP TO 2x25 POS CONFIGURATION

LATCHING FEATURES WHEN USED IN COMBINATION  
WITH ACTIVE LATCH HOUSING 10073599

mat'l. code		surface		tolerance		projection		product family	
SEE NOTES		ISO 1302 ✓		ISO 406 ISO 101		101		MINITEK	
ltr	ecn no	dr	date	tolerances unless otherwise specified		mm		title	
A	F08-0113	LMU	08.01.17	angles	linear	X.X ±0.3	scale 1:1	SHR HEADER	
						X.XX ±0.13		2.00 VERTICAL TMT	
						X.XXX ±0.05			
		dr	L.MULIN	07.11.06				dwg no	
		engr	J.COMPAGNON	07.11.06				sheet 2 of - size	
		chr						98414 A3	
		appd	JM.C	07.11.06				type CUSTOMER Drawing	
sheet index	revision sheet								



Copyright FCJ

## X-ON Electronics

Largest Supplier of Electrical and Electronic Components

*Click to view similar products for [Headers & Wire Housings](#) category:*

*Click to view products by [Amphenol](#) manufacturer:*

Other Similar products are found below :

[892-18-020-10-001101](#) [58102-G61-06LF](#) [582553-1](#) [0009485154](#) [009176003701906](#) [0050291907](#) [LY20-4P-DT1-P1E-BR](#) [02.125.8002.8](#)  
[609-3404](#) [61062-3](#) [622-0430](#) [622-3653LF](#) [63453-116](#) [636-1030](#) [636-1427](#) [636-3427](#) [636-4007](#) [641938-9](#) [641991-4](#) [644827-2](#) [65817-010LF](#)  
[65817-015LF](#) [65863-015LF](#) [66207-023LF](#) [67095-007LF](#) [67601157](#) [68648-049](#) [70.362.1628.0](#) [70-4210](#) [70-4226B](#) [70-4853B](#) [707-5020](#) [707-](#)  
[5028](#) [71.350.2428.0](#) [71918-208LF](#) [71961-016LF](#) [733-134](#) [733-162](#) [754199-000](#) [760-3052](#) [787-8014-00](#) [79531-3000](#) [FCN-360C032-B](#) [FCN-](#)  
[367T-T012/H](#) [FCN-723D010/2](#) [80.063.4001.1](#) [800-90-001-10-001000](#) [800-90-010-10-002000](#) [801-43-002-10-013000](#) [801-43-006-10-002000](#)