

PRODUCT NUMBER
98424-X52-XX-XXXLF

PLATING
S = 0.38µm GOLD/GXT ON CONTACT AREA
2µm MIN MATTE TIN ON TAIL
G = 0.76µm GOLD/GXT ON CONTACT AREA
2µm MIN MATTE TIN ON TAIL
F = GOLD FLASH ON CONTACT AREA
2µm MIN MATTE TIN ON TAIL
T = 2.0-6.0µm FULL MATTE TIN
1.27µm Ni MIN UNDERLAYER

RoHS COMPATIBLE, SEE NOTE 8
POLARIZATION (SEE NOTE 7)
PACKAGING OPTIONAL LETTER (SEE NOTE 5)
TOTAL NB OF POSITIONS, 04 TO 50
COLOR OPTION NOTE 1

NOTES:

- MATERIAL HOUSING: HIGH TEMP. THERMOPLASTIC UL-94VO
- = STANDARD COLOR CREAM
B = OPTIONAL COLOR BLACK
- MATERIAL TERMINAL: COPPER ALLOY
- TO DETERMINE DIMENSIONS:
N = NUMBER OF POSITIONS PER ROW
- 7N MIN. PIN RETENTION IN EITHER DIRECTION.

5. PACKAGING:

- = STANDARD PACKAGING IN POLYBAGS
- = POLYBAGS PACKAGING WHEN POLARISATION FEATURE APPLICABLE
- U = TUBE AVAILABLE FROM 08 TO 50 POS
- A = TAPE AND REEL WITH PICK UP CAP, AS AVAILABLE
- K = TAPE AND REEL WITHOUT PICK UP CAP, AS AVAILABLE.
- C = TAPE AND REEL WITH SPECIAL LARGE CAP, ONLY FOR 98424-Y52-06CLF FOR ALL SPECIAL PACKAGING, FCI TO BE CONTACTED
- UV = TUBE WITHOUT PICK UP CAP FOR CUSTOMER DEDICATED PART
- AV = TAPE & REEL WITH PICK UP CAP FOR CUSTOMER DEDICATED PART
- KV = TAPE & REEL WITHOUT PICK UP CAP FOR CUSTOMER DEDICATED PART

6. DIM "C" = (N x 2) + 1.4

EXAMPLE: N = 7
DIM "C" = (7 x 2) + 1.4 = 15.4 mm

7. FOR POLARIZATION, SPECIFIED PIN

EXAMPLE : A03 = ROW A, POSITION 03 TO OMIT PIN
OMIT FROM PRODUCT NUMBER IF THIS FEATURE IS NOT APPLICABLE

8. RoHS COMPATIBLE PRODUCT SPECIFICATIONS

a - PLATING:

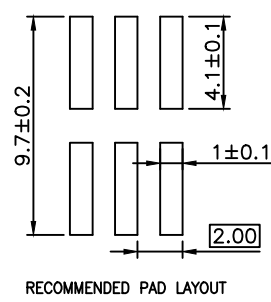
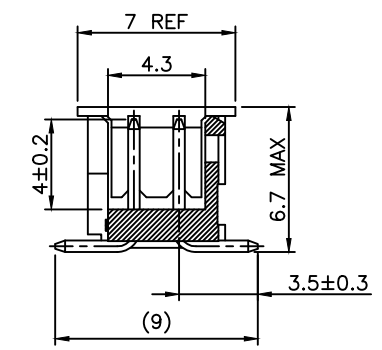
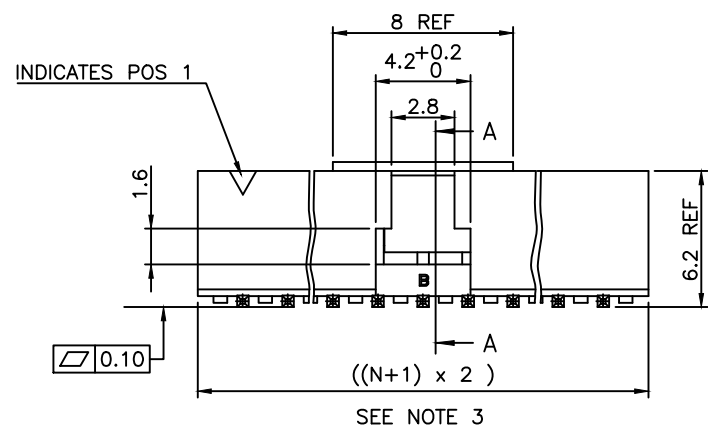
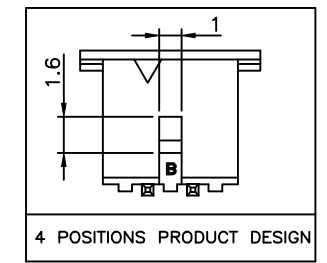
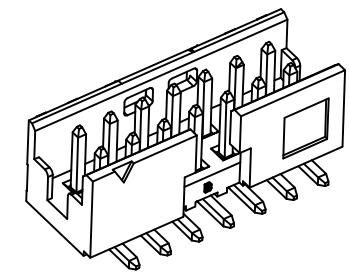
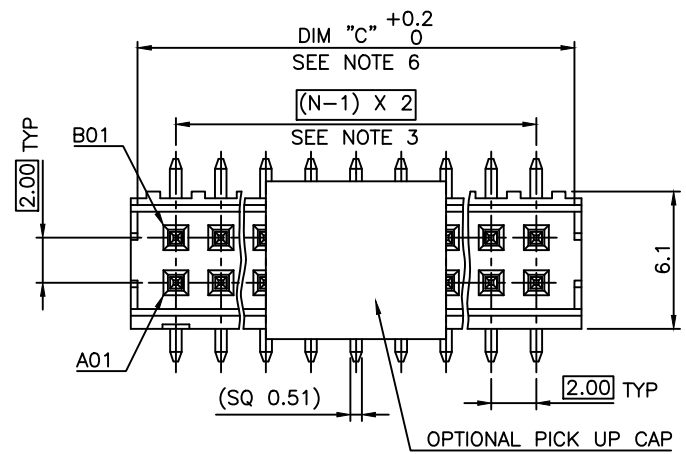
- "LF" MEANS THE PRODUCT IS LEAD-FREE,
2µm MINIMUM MATTE TIN OVER 1.27µm
MINIMUM NICKEL UNDERPLATE.

b - MANUFACTURING PROCESS COMPATIBILITY

- THE HOUSING WILL WITHSTAND EXPOSURE TO
260°C PEAK TEMPERATURE FOR 30 SECONDES
MAX IN A CONVECTION, INFRA-RED OR VAPOR
PHASE OR REFLOW OVEN.

c - LABELLING:

- MEETS PACKAGING SPECS AS PER GS-14-920
- THIS PRODUCT MEETS EUROPEAN DIRECTIVES
AND OTHER COUNTRY REGULATIONS AS DISCRIBED
IN GS-47-0004.

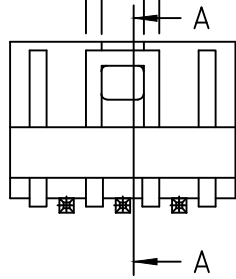


mat'l. code SEE NOTES		surface ISO 1302 ✓	tolerance ISO 406 ISO 1101	projection mm	product family MINITEK
ltr	ecn no dr date	tolerances unless otherwise specified		mm	title SHR HEADER 2.00 VERTICAL SMT
N	F10-0007 JCO 10.01.28	angles	X.X ±0.3		scale 1:1
P	F11-0071 JCO 11.06.17	linear	X.XX ±0.13	FCI	sheet 1 of 2 size A3
R	B-18975 LMU 14.10.01		X.XXX ±0.05		98424
S	B-19190 LMU 14.10.24	dr	L.MULIN 04.09.27	type CUSTOMER Drawing	
T	B-19797 AMA 14.12.16	engr	J.COMPAGNON 04.09.27		
U	B-19988 LMU 15.01.13	chr			
V	F-23051 AMA 16.01.15	appd	JMC 04.09.27		
sheet index	revision sheet	V A			
	1 2				

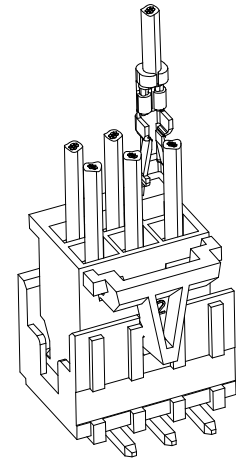
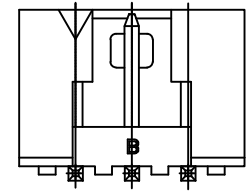
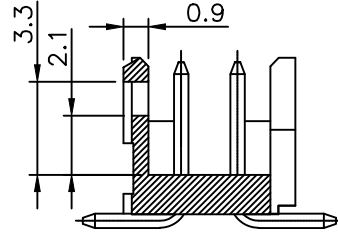


Copyright FCI

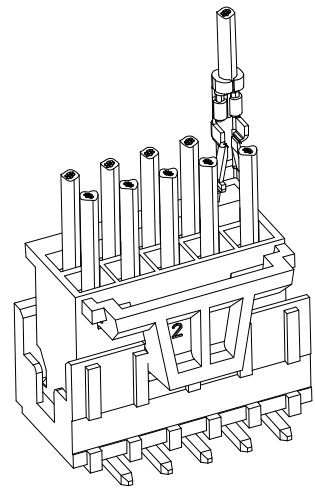
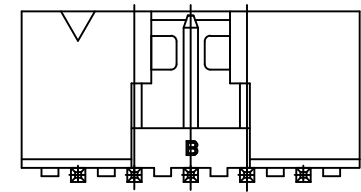
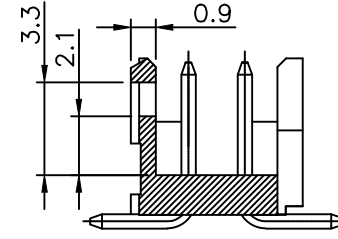
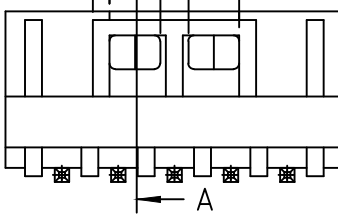
2.6
1.5



2x3 POS AND 2x4 POS CONFIGURATION
NO LATCHING AVAILABLE FOR 2x2 POS



4.6
0.6
1



2x5 POS UP TO 2x25 POS CONFIGURATION

LATCHING FEATURES WHEN USED IN COMBINATION
WITH ACTIVE LATCH HOUSING 10073599

mat'l. code		surface		tolerance		projection		product family	
SEE NOTES		ISO 1302 ✓		ISO 406 ISO 101				MINITEK	
ltr	ecn no	dr	date	tolerances unless otherwise specified				title	
A	F08-0113	LMU	08.01.17	angles	X.X ±0.3	mm		SHR HEADER	
				linear	X.XX ±0.13	scale 1:1		2.00 VERTICAL SMT	
					X.XXX ±0.05			dwg no	
				dr	L.MULIN	07.11.06	sheet 2 of - size		
				enr	J.COMPAGNON	07.11.06	98424		
				chr			A3		
				appd	JM.C	07.11.06	type		
							CUSTOMER Drawing		
sheet index	revision								
	sheet								



Copyright FCI

X-ON Electronics

Largest Supplier of Electrical and Electronic Components

Click to view similar products for [Headers & Wire Housings](#) category:

Click to view products by [Amphenol](#) manufacturer:

Other Similar products are found below :

[892-18-020-10-001101](#) [58102-G61-06LF](#) [582553-1](#) [0009485154](#) [009176003701906](#) [0050291907](#) [LY20-4P-DT1-P1E-BR](#) [02.125.8002.8](#)
[609-3404](#) [61062-3](#) [622-0430](#) [622-3653LF](#) [63453-116](#) [636-1030](#) [636-1427](#) [636-3427](#) [636-4007](#) [641938-9](#) [641991-4](#) [644827-2](#) [65817-010LF](#)
[65817-015LF](#) [65863-015LF](#) [66207-023LF](#) [67095-007LF](#) [67601157](#) [68648-049](#) [70.362.1628.0](#) [70-4210](#) [70-4226B](#) [70-4853B](#) [707-5020](#) [707-](#)
[5028](#) [71.350.2428.0](#) [71918-208LF](#) [71961-016LF](#) [733-134](#) [733-162](#) [754199-000](#) [760-3052](#) [787-8014-00](#) [79531-3000](#) [FCN-360C032-B](#) [FCN-](#)
[367T-T012/H](#) [FCN-723D010/2](#) [80.063.4001.1](#) [800-90-001-10-001000](#) [800-90-010-10-002000](#) [801-43-002-10-013000](#) [801-43-006-10-002000](#)