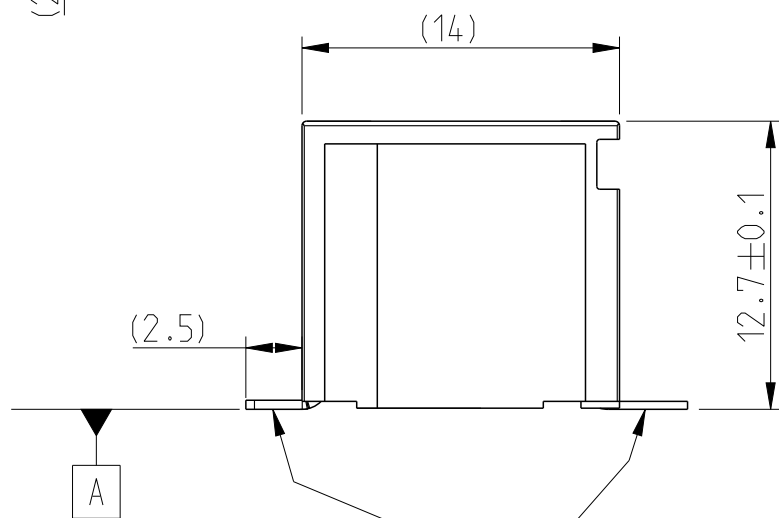
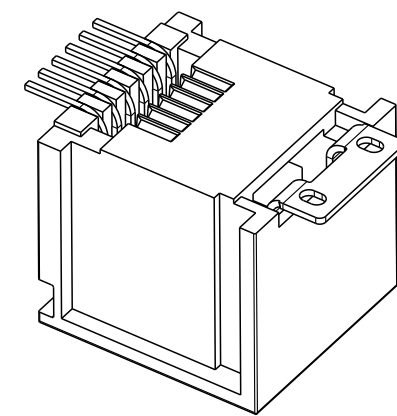
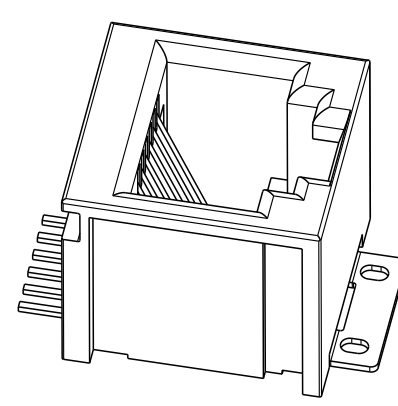
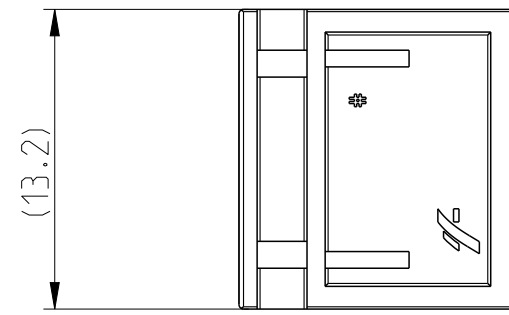
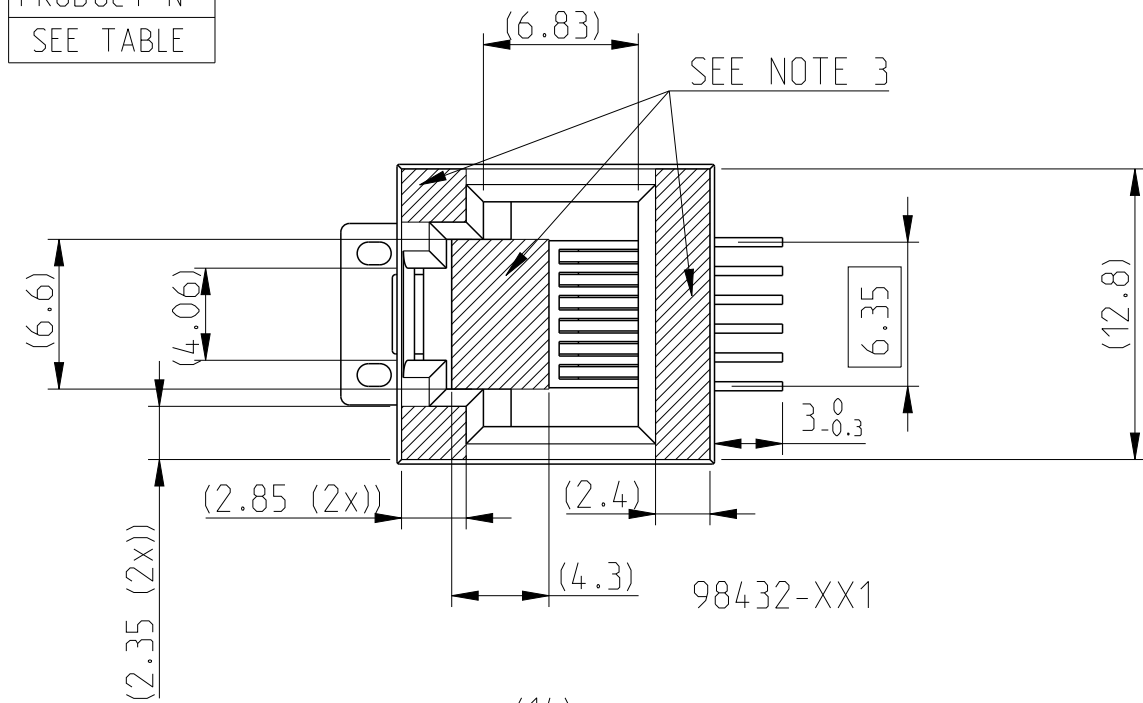
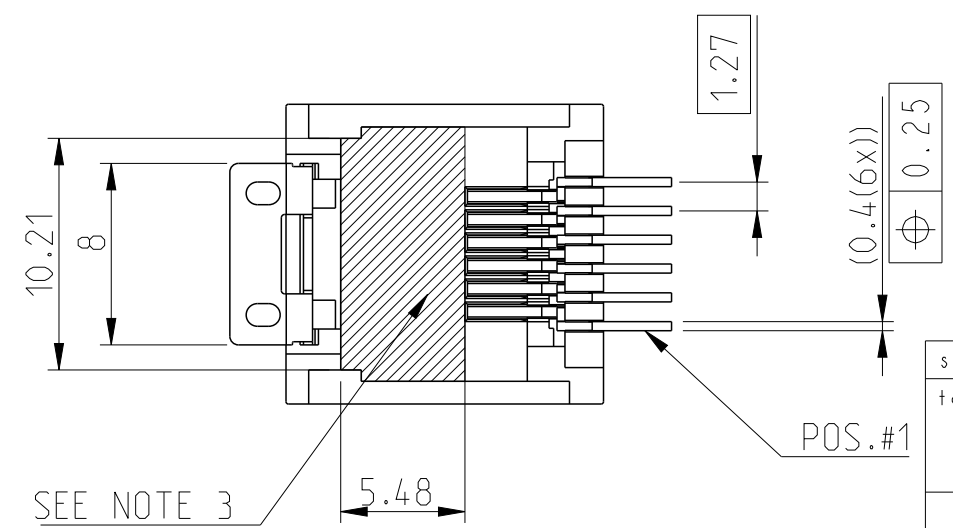
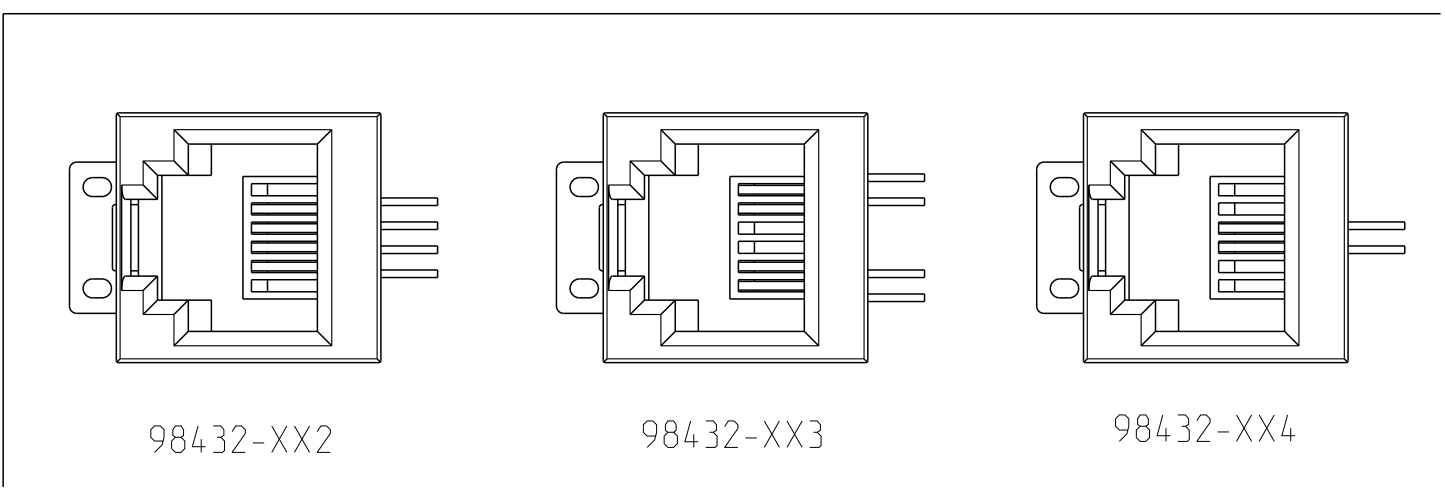


PRODUCT N°
SEE TABLE



REFERENCE PLAN DEFINED BY THE BEARING SURFACE

0.1
SEE NOTE 6



VACUUM AREA FOR 98432-X2XLF

spec ref	-	dr	A Parrenin	2002/09/19	projection	mm	size	A3	scale	3:1	
tolerance std	±0.13 ±2°	eng	J Dalibard	2016/02/01			ecn no	ELX-B-16041-1	rel level		Released
surface	ISO 1302	chr	J Dalibard	2016/02/01			product family	MODULAR JACK	rel level		Released
		appr	Aymeric Soudy	2016/02/08	title		98432		rev	U	
					cat. no.	98432-XXX(LF)	Product - Customer Drw		sheet 1 of 2		



Copyright FCI.

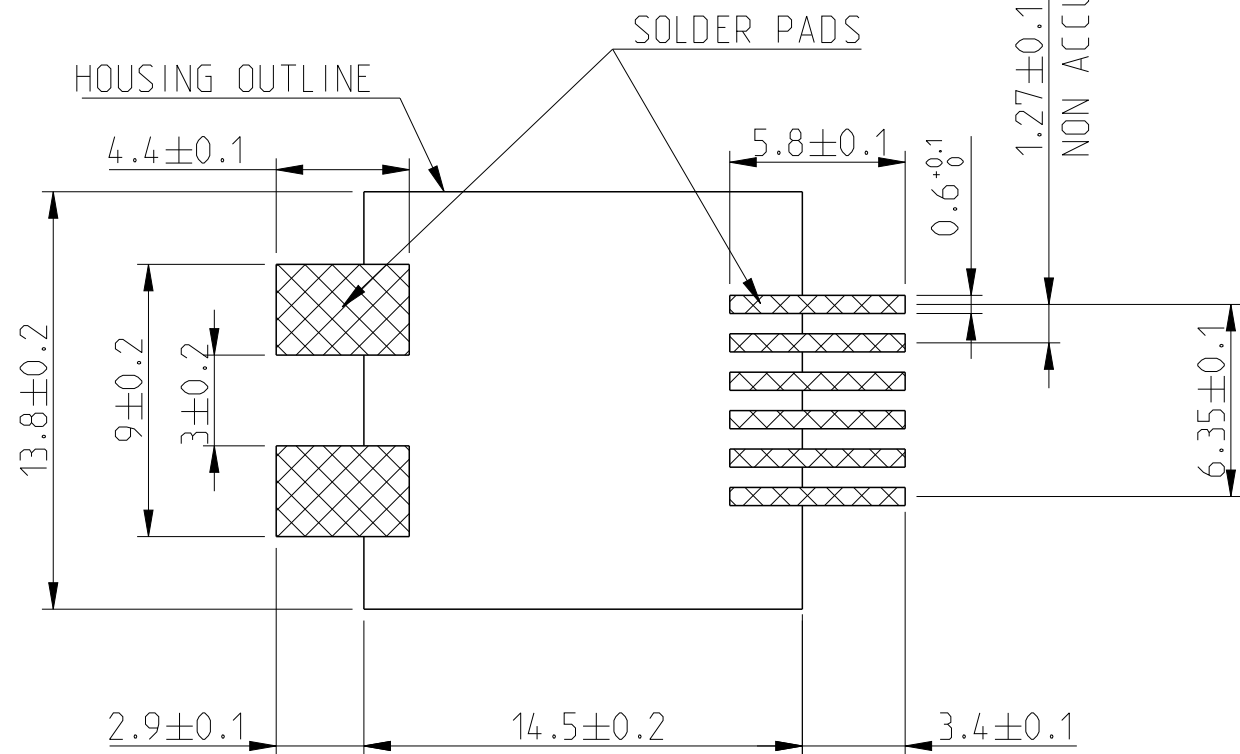
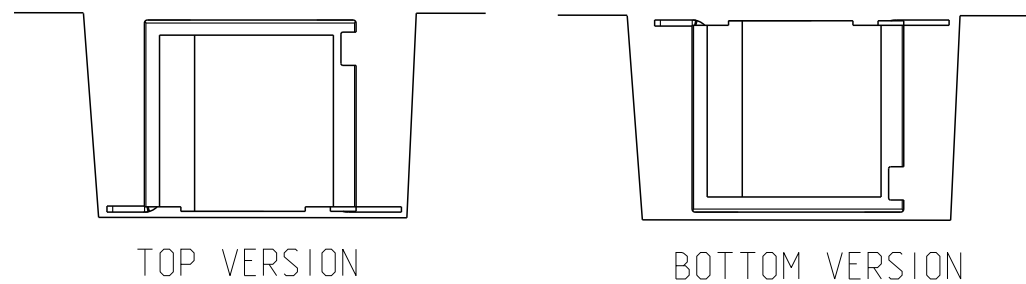
PRODUCT N°
98432-XXXLF

CONTACT PLATING OPTION
1= GXT 0.76 μm
3= 0.76 μm GOLD
5= 1.27 μm GOLD

PACKAGE OPTIONS	VERSION	PLASTIC COLOR
TAPE AND REEL PACKAGE 1= LOADED FACE UP	TOP	BLACK
TAPE AND REEL PACKAGE 2= LOADED FACE DOWN	BOTTOM	BLACK
TAPE AND REEL PACKAGE 3= LOADED FACE UP	TOP	GREY

TERMINAL LOADING OPTIONS
1 = FULLY LOADED 6 POSITIONS
2 = ONLY POS 2,3,4,5 LOADED
3 = ONLY POS 1,2,5,6 LOADED
4 = ONLY POS 3,4 LOADED

WHEN NEEDED, SUFFIX LETTER "LF" INDICATES THE PRODUCT IS RoHS COMPATIBLE SEE NOTE 7.



RECOMMENDED PCB FOOTPRINT

NOTES:

- 1 - MATERIAL:
HOUSING: HIGH TEMP. PLASTIC, COLOR : SEE TABLE HERE ABOVE.
- GWF1 IS 850 °C AT 1mm AND 960 °C AT 2mm THICKNESS OF THE PLATES.
- GWIT IS AT 725 °C FOR 1 AND 2 mm THICKNESS OF THE PLATES.
TERMINAL PHOSPHOR BRONZE
- 2 - PLATING
CONTACT AREA: OPTIONAL SEE TABLE
SOLDER TAIL: SnPb 90/10 2 μm MIN
NO RAW EDGES EXCEPT SOLDER TAILS TIPS
- 3 - AREA FOR VACUUM PICK AND PLACE VENTURY
- 4 - PACKAGING SPECIFICATION SEE TA 858
- 5 - DIMENSION MEASURED FROM "A" TO THE TOP OF PRODUCT
- 6 - COPLANARITY SEE TA 861.
- 7 - RoHS COMPATIBLE PRODUCT SPECIFICATIONS
 - a - PLATING:
- "LF" MEANS THE PRODUCT IS LEAD-FREE,
2 μm MINIMUM MATTE TIN OVER 1.27 μm
MINIMUM NICKEL UNDERPLATE.
 - b - MANUFACTURING PROCESS COMPATIBILITY:
- THE HOUSING WILL WITHSTAND EXPOSURE TO
245 °C PEAK TEMPERATURE FOR 30 SECONDS
MAX IN A CONVECTION, INFRA-RED OR VAPOR
PHASE OR REFLOW OVEN.
 - c - LABELLING:
- MEETS PACKAGING SPECS AS PER GS-14-920.
 - d - LEGAL STATEMENT: SEE GS-22-008

spec ref	-	dr	A Parrenin	2002/09/19	projection	mm	size	A3	scale	5:1
tolerance std	±0.13 ±2°	eng	J Dalibard	2016/02/01			ecn no	ELX-B-16041-1	rel level	Released
TOLERANCES UNLESS OTHERWISE SPECIFIED		chr	J Dalibard	2016/02/01						
surface	ISO 1302	appr	Aymeric Soudy	2016/02/08			dwg no	98432	rev	U
					cat. no.	98432-XXX(LF)	Product - Customer Drw		sheet 2 of 2	

X-ON Electronics

Largest Supplier of Electrical and Electronic Components

Click to view similar products for [Modular Connectors](#) / [Ethernet Connectors](#) category:

Click to view products by [Amphenol](#) manufacturer:

Other Similar products are found below :

[RJE231881317T](#) [MP1010RX-1000](#) [MP44RX-1000](#) [GAX-3-66](#) [GAX-8-62](#) [93606-0253](#) [GD-A-44](#) [GDCX-PA-66-50](#) [GDCX-PN-64](#) [GDCX-PN-66](#) [GDCX-PN-66-50](#) [GDLX-A-66](#) [GDLX-A-88](#) [GDLX-N-66](#) [GDLX-S-88K](#) [GDTX-S-88-50](#) [GDX-PA-1010](#) [GLX-N-1010M-BLK](#) [GLX-N-44M](#) [GLX-S-88M-BLK](#) [GMX-N-1010](#) [GMX-S-1010](#) [GMX-S-66](#) [GMX-SMT2-N-1010](#) [GMX-SMT2-N-64-50](#) [GMX-SMT2-S6-88](#) [GMX-SMT4-N-88](#) [GPX-2-64](#) [GRT1-BT1-5](#) [GSGX-N-2-88](#) [GSX-NS2-88-3.05](#) [GSX-NS2-88-3.05-50](#) [GSX-NS-88-3.05-30](#) [GSX-NS-88-3.05-50](#) [GSX-NS-88-3.68](#) [1-1775629-2](#) [GWLX-S-88-GR](#) [GWLX-S9-88-YG](#) [1300500326](#) [1300500227](#) [1300530003](#) [1300570002](#) [1324640-4](#) [RJ11FTVC2G](#) [RJ11FTVC2N](#) [RJFTVX2SA1G](#) [132764-001](#) [1400000](#) [1413176](#) [1413235](#)