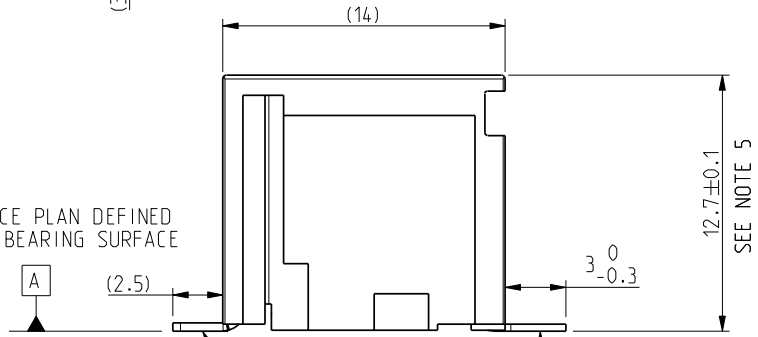
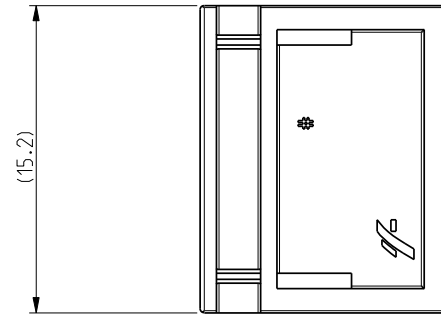
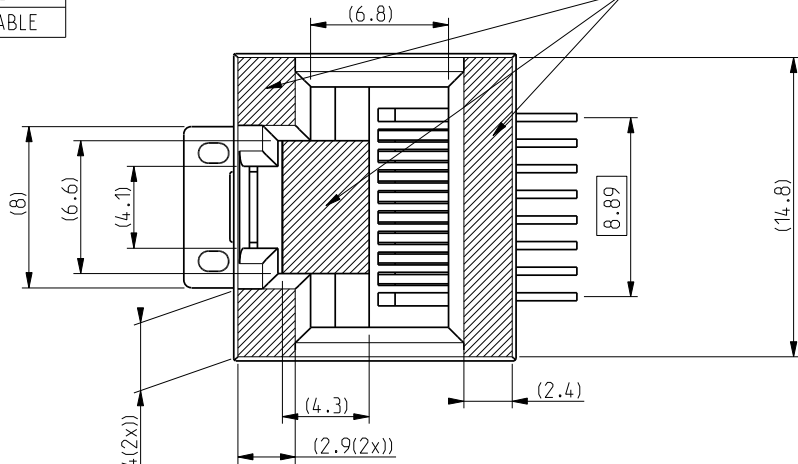


PRODUCT N°
SEE TABLE

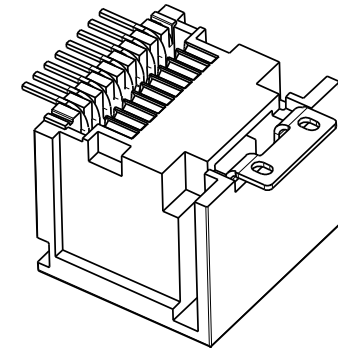
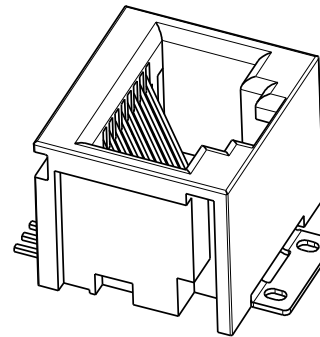
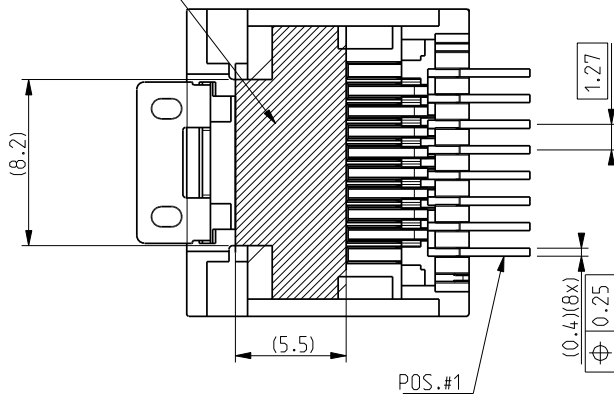
SEE NOTE 3



SEE NOTE 5

0.1
SEE NOTE 6

SEE NOTE 3



Copyright FCI.

Rev	ecn no	dr	date
L	F05-0247	DLE	05.09.30
M	F06-0242	DLE	06.07.20
N	F08-0127	LSA	08-02-15
P	F11-0333	APA	11-08-17
-	-	-	-
-	-	-	-
-	-	-	-

www.fciconnect.com		surface ISO 1302	-	tolerance std ±0.13	±2°	projection A3	mm
TOLERANCES UNLESS OTHERWISE SPECIFIED							
Dr	D LEGRAND	02.09.16	ANGULAR	0.x	±y	size	Scale
Eng	P NIZZI	02.09.16	LINEAR	0.xx	±y	A3	4:1
Chr	D LEGRAND	02.09.16	0° ±y°	0.xxx	±y	ECN	
Appr	P NIZZI	02.09.16	Product family	MODULAR JACK		Spec ref	-
Title		VERTICAL SMT		dwg no		98435	
8 POSITIONS		catalog no		98435-14 1LF		CUSTOMER	
Rev.		P		sheet 1 of 2			

REV E - 2006-03-28

PRODUCT N°
98435-XXXHLF

CONTACT PLATING OPTION
1= GXT 0.76 μm
3= 0.76 μm GOLD
5= 1.27 μm GOLD

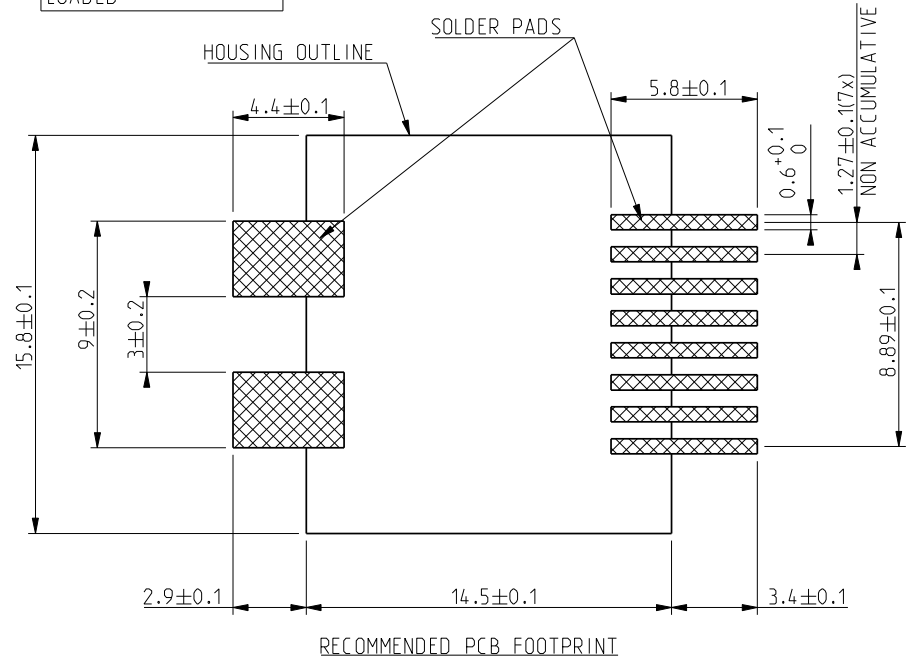
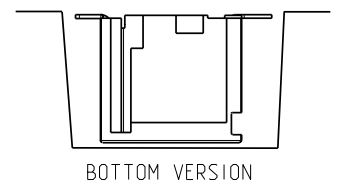
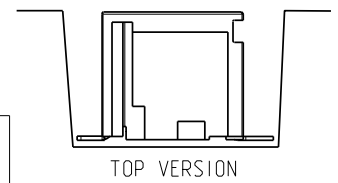
PACKAGE OPTIONS
TAPE AND REEL PACKAGE 1= LOADED FACE UP
TAPE AND REEL PACKAGE 2= LOADED FACE DOWN

VERSION
TOP
BOTTOM

TERMINAL LOADING OPTIONS
1 = FULLY LOADED 8 POSITIONS
2 = ONLY POS 1,2,7,8 LOADED
3 = ONLY POS 3,4,5,6 LOADED

HALOGEN FREE OPTION
SEE NOTE 8

WHEN NEEDED, SUFFIX LETTER "LF"
INDICATES THE PRODUCT IS RoHS
COMPATIBLE SEE NOTE 7.



NOTES:

- 1 - MATERIAL:
HOUSING: HIGH TEMP. PLASTIC, COLOR BLACK
TERMINAL PHOSPHOR BRONZE
- 2 - PLATING
CONTACT AREA: OPTIONAL SEE TABLE
SOLDER TAIL: SnPb 90/10 2 μm MIN
NO RAW EDGES EXCEPT SOLDER TAILS TIPS
- 3 - AREA FOR VACUUM PICK AND PLACE VENTURY
- 4 - PACKAGING SPECIFICATION SEE TA 858
- 5 - DIMENSION MEASURED FROM "A" TO THE TOP OF PRODUCT
- 6 - COPLANARITY SEE TA 861.
- 7 - RoHS COMPATIBLE PRODUCT SPECIFICATIONS
 - a - PLATING:
- "LF" MEANS THE PRODUCT IS LEAD-FREE,
2 μm MINIMUM MATTE TIN OVER 1.27 μm
MINIMUM NICKEL UNDERPLATE.
 - b - MANUFACTURING PROCESS COMPATIBILITY:
- THE HOUSING WILL WITHSTAND EXPOSURE TO
245 °C PEAK TEMPERATURE FOR 30 SECONDS
MAX IN A CONVECTION, INFRA-RED OR VAPOR
PHASE OR REFLOW OVEN.
- c - LABELLING:
- MEETS PACKAGING SPECS AS PER GS-14-920.
- d - LEGAL STATEMENT: SEE GS-22-008
- 8 - HOUSING MADE FROM HIGH TEMPERATURE HALOGEN FREE RESIN
30% GLASS FILLED FLAME RETARDANT PER UL-94V-0 BLACK COLOR
OMIT "H" FROM PRODUCT NUMBER IF THIS OPTION IS NOT REQUIRED

Copyright FCJ

www.fciconnect.com		surface ISO 1302	- ✓	tolerance std ±0.13 ±2°	projection ⊕	mm
TOLERANCES UNLESS OTHERWISE SPECIFIED						
Dr	D LEGRAND	02.09.16	ANGULAR	0.x ±y	size A3	Scale 5:1
Eng	P NIZZI	02.09.16	LINEAR	0.xx ±y	ECN	
Chr	D LEGRAND	02.09.16	0° ±y°	0.xxx ±y	Spec ref	-
Appr	P NIZZI	02.09.16	Product family	MODULAR JACK		
Title VERTICAL SMT 8 POSITIONS		dwg no 98435		Rev. P		
catalog no 98435-14 1LF		CUSTOMER		sheet 2 of 2		

REV E - 2006-03-28

X-ON Electronics

Largest Supplier of Electrical and Electronic Components

Click to view similar products for [Modular Connectors](#) / [Ethernet Connectors](#) category:

Click to view products by [Amphenol](#) manufacturer:

Other Similar products are found below :

[RJE231881317T](#) [MP1010RX-1000](#) [MP44RX-1000](#) [GAX-3-66](#) [GAX-8-62](#) [93606-0253](#) [GD-A-44](#) [GDCX-PA-66-50](#) [GDCX-PN-64](#) [GDCX-PN-66](#) [GDCX-PN-66-50](#) [GDLX-A-66](#) [GDLX-A-88](#) [GDLX-N-66](#) [GDLX-S-88K](#) [GDTX-S-88-50](#) [GDX-PA-1010](#) [GLX-N-1010M-BLK](#) [GLX-N-44M](#) [GLX-S-88M-BLK](#) [GMX-N-1010](#) [GMX-S-1010](#) [GMX-S-66](#) [GMX-SMT2-N-1010](#) [GMX-SMT2-N-64-50](#) [GMX-SMT2-S6-88](#) [GMX-SMT4-N-88](#) [GPX-2-64](#) [GRT1-BT1-5](#) [GSGX-N-2-88](#) [GSX-NS2-88-3.05](#) [GSX-NS2-88-3.05-50](#) [GSX-NS-88-3.05-30](#) [GSX-NS-88-3.05-50](#) [GSX-NS-88-3.68](#) [1-1775629-2](#) [GWLX-S-88-GR](#) [GWLX-S9-88-YG](#) [1300500326](#) [1300500227](#) [1300530003](#) [1300570002](#) [1324640-4](#) [RJ11FTVC2G](#) [RJ11FTVC2N](#) [RJFTVX2SA1G](#) [132764-001](#) [1400000](#) [1413176](#) [1413235](#)